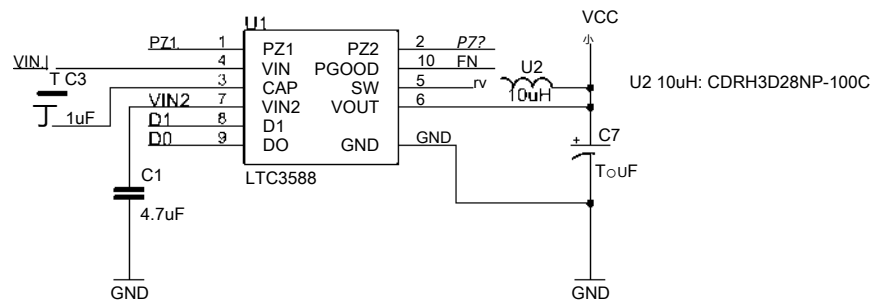
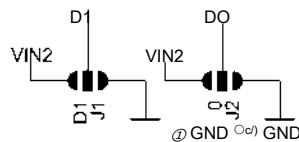


PZ1 and PZ2 are rectified inputs for VIN
See datasheet for electrical specs for VIN



On the board 1 is VIN and 0 is GND
0 is default



TITLES Onergy_harv0Ster-v12		SFE
Document Numbers		REV:
Dates 2010/6/4 10s34s54		Sheets 1/1