

Audio + digital transmission dual mode Bluetooth

JDY-66 Bluetooth Module Manual



Release Notes:

JDY-66-V1.2	Release version
JDY-66-V1.3	Solved the V1.2 version BLE transparent transmission can not send hex 0x00 BUG
Software not updated, only PDF manual updated	Updated MIC wiring pin, added MIC wiring method on the schematic

1. Product introduction:

JDY-64 adopts dual-mode Bluetooth design, and supports lossless two-channel stereo playback and BLE Bluetooth data transmission. It can set the audio Bluetooth broadcast name, volume addition and subtraction, top and bottom music playback, make a call, and refuse to answer the call through the serial AT command. , BLE broadcast name, serial port baud rate and other controls, the overall performance is very advantageous

2. Applications:

- ◆ Car DSP audio
- ◆ Bluetooth speaker light
- ◆ Bluetooth audio + digital toy
- ◆ Bluetooth speaker
- ◆ BLE transparent transmission application
- ◆ Share mobile power, share weight
- ◆ Medical equipment

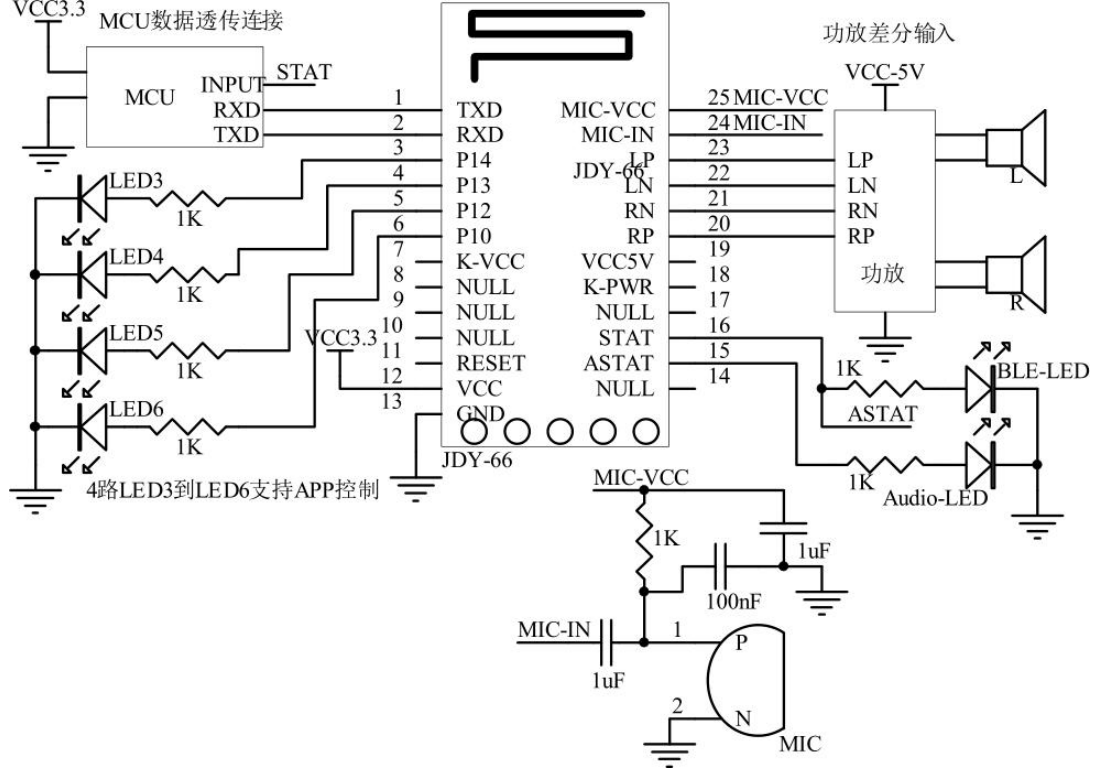
3. Feature:

Model	JDY-66
Bluetooth version	Bluetooth V4.0
Operating Voltage	DC2.7-4.2V
Working current	26mA
Operating temperature	-40°C - 80°C
Transmission distance	30m
Sensitivity	-87dbm
Serial cache	100Byte
Patch temperature	<260°C

4. Default parameters

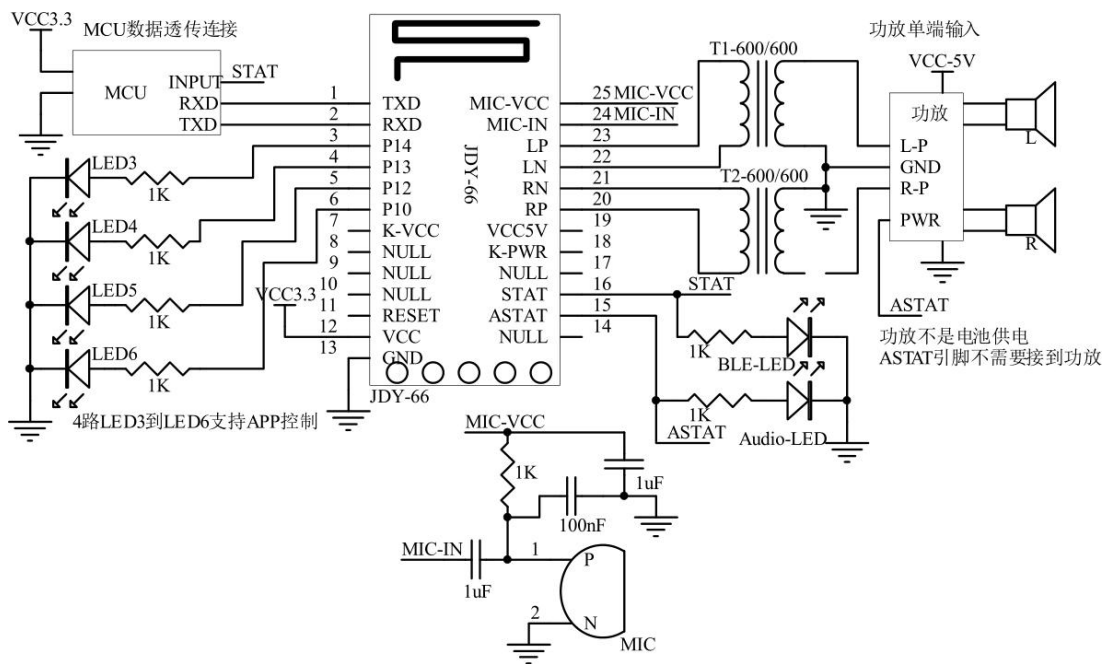
Features	Command	Default parameter
Baud rate	AT+BAUD4	4
BLE broadcast name	AT+NAMEJDY-66-BLE	JDY-66-BLE
Audio broadcast name	AT+NAMAJDY-66-Audio	JDY-66-Audio
APP password	AT+ISCEN0	0
password	AT+PSS1234	1234

5. Pin Function and Schematic



JDY-66 connection differential input (4-wire input power amplifier) power amplifier wiring diagram

Support power supply with amplifier

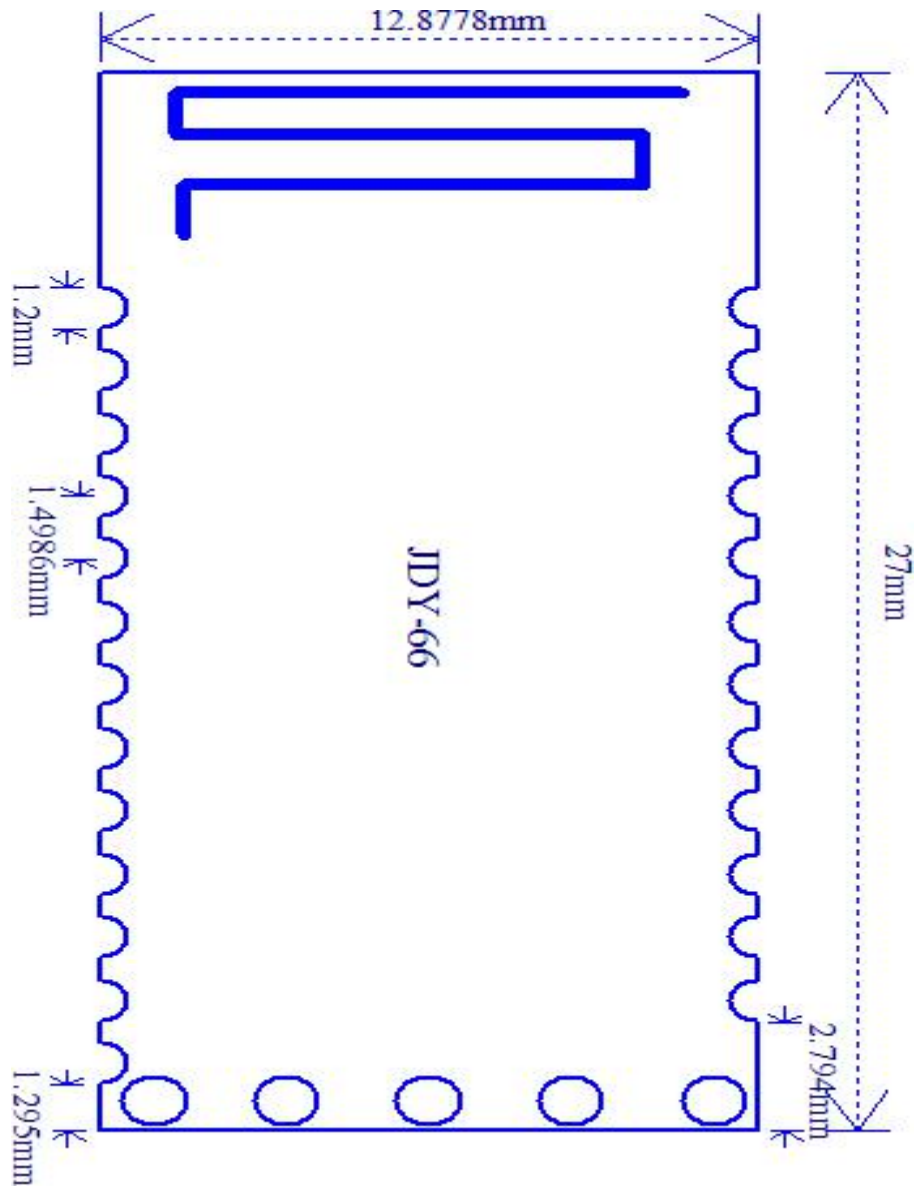


JDY-66 connection single-ended input (3-wire input amplifier) power amplifier wiring diagram

Support power supply with amplifier

T1 and T2 are audio transformers EI-14

6. PCB package size chart



7. Pin function description

PIN	Pin Function	Pin Function Description
1	TXD	Serial output
2	RXD	Serial input
3	P14	Output IO support APP control high and low level, default low level
4	P13	Output IO support APP control high and low level, default low level
5	P12	Output IO support APP control high and low level, default low level
6	P10	Output IO support APP control high and low level, default low level
7	K-VCC	Button power supply
8	NULL	

9	NULL	
10	NULL	
11	RESET	Reset pin (low reset)
12	VCC	Power supply (2.7-4.2V)
13	GND	Power ground
14	NULL	
15	ASTAT	Audio connection status pin (not connected low level, connected high level)
16	STAT	BLE connection status pin (not connected low, connected high)
17	NULL	
18	K-PWR	Button power supply
19	VCC5V	5 volt power supply
20	RP	Right channel differential positive output pin
21	RN	Right channel differential negative output pin
22	LN	Left channel differential positive output pin
23	LP	Left channel differential negative output pin
24	MIC-IN	MIC signal input pin
25	MIC-VCC	MIC power supply



8. Serial AT instruction set

JDY-66 module serial port send AT command must be added \r\n

Number	Command	Function	Default
1	AT+VERSION	Version number	JDY-66-V1.2
2	AT+RESET	Soft reset	
3	AT+DISC	Disconnected (connection is valid)	
4	AT+STAT	Connection status query (connection is valid)	
5	AT+VOL+	Volume plus	15
6	AT+VOL-	Volume reduction	15

7	AT+NEXT	Next song	
8	AT+LAST	Previous	
9	AT+PLAY	Play	
10	AT+PAUSE	Syop	
11	AT+CALL	Call the last phone number	
12	AT+REJECT	Refuse to receive calls	
13	AT+BAUD	Baud rate setting	4
14	AT+ISCEN	Connection password switch	0
15	AT+PSS	Connection password	1234
16	AT+LADDR	MAC address query	
17	AT+NAME	BLE broadcast name settings and queries	JDY-66-BLE
18	AT+NAMA	Audio Bluetooth broadcast name settings and queries	JDY-66-Audio

1. Query the version number

Command	Response	Parameter
AT+VERSION	+VERSION=JDY-66-V1.2	NO

2. Reset

Command	Response	Parameter
AT+RESET	OK	NO

3. Disconnect

Command	Response	Parameter
AT+DISC	OK	NO

Valid after connection

4. Disconnect

Command	Response	Parameter
AT+STAT	+STAT=x1,x2	X1 indicates BLE connection status X2 indicates the audio Bluetooth connection status 1: indicates connection

		0: indicates disconnection
--	--	----------------------------

Valid after connection

5. Volume plus

Command	Response	Parameter
AT+VOL+	+VOL=<Param>	Param: (1-15) 15: indicates the maximum volume Default: 15

Effective after audio connection

6. Volume reduction

Command	Response	Parameter
AT+VOL-	+VOL=<Param>	Param: (1-15) 15: indicates the maximum volume Default: 15

Effective after audio connection

7. next song

Command	Response	Parameter
AT+NEXT	+NEXT=OK	NO

Effective after audio connection

8. Previous

Command	Response	Parameter
AT+LAST	+LAST=OK	NO

Effective after audio connection

9. Play

Command	Response	Parameter
AT+PLAY	+PLAY=OK	NO

Effective after audio connection

10. Stop

Command	Response	Parameter
AT+PAUSE	+PAUSE=OK	NO

Effective after audio connection

11. Call the last phone number

Command	Response	Parameter
AT+CALL	+CALL=OK	NO

Effective after audio connection

12. Refuse to answer the call

Command	Response	Parameter
AT+REJECT	+REJECT=OK	NO

Effective after audio connection

13. Baud rate setting / query

Command	Response	Parameter
AT+BAUD<Param>	OK	Param: (1-4)
AT+BAUD	+BAUD=<Param>	4:9600 5:19200 6:38400 7:57600 8:115200 Default: 4 (9600)

14. APP password switch setting / query

Command	Response	Parameter
AT+ISCEN<Param>	OK	Param: (0-1)
AT+ISCEN	+ISCEN=<Param>	0: no password 1: Use APP password Default: 0

15. APP connection password setting / query

Command	Response	Parameter
AT+PSS<Param>	OK	Param: The password is 4 digits.
AT+PSS	+PSS=<Param>	Default password: 1234

16. MAC address query

Command	Response	Parameter
AT+LADDR	+LADDR=<Param>	Param: (6 bytes)

17. BLE broadcast name setting / query

Command	Response	Parameter
AT+NAME<Param>	OK	Param: BLE broadcast name Longest: 18 bytes Default broadcast name: JDY-66-BLE
AT+NAME	+NAME=<Param>	

18. Audio Bluetooth Broadcast Name Settings / Query

Command	Response	Parameter
AT+NAMA<Param>	OK	Param: BLE broadcast name Longest: 18 bytes Default broadcast name: JDY-66-Audio
AT+NAMA	+NAMA=<Param>	

9. Description of APP instructions (IO, password)

9.1: Password Settings

Format: AABBE551 + 4Byte native password + 4Byte new password //hexadecimal format The new password can be set only if the local password is the same as the module password.

9.2: APP password sent

Format: AABBE552 + 4Byte APP password //hexadecimal format

When AT+ISCEN1 is turned on, it means that the APP password is used. After each connection, the APP will send a password to the module. After the password is correct, the APP can control the module's IO or transparent transmission (the module default APP password is off).

9.3: APP Control Module IO Level (Feature UUID: FFE1)

	Command	Output Level
IO1	AABBE7F101	IO1 is set to high
	AABBE7F100	IO1 is set low
IO2	AABBE7F201	IO2 is set to high
	AABBE7F200	IO2 is set low
IO3	AABBE7F301	IO3 is set to high
	AABBE7F300	IO3 is set low
IO4	AABBE7F401	IO4 is set to high
	AABBE7F400	IO4 is set low

Note: The data format is in hexadecimal format.

9.4: Transparent transmission UUID

Service UUID: FFE0

Feature UUID: FFE1 attribute (WRITE, NOTIFY)