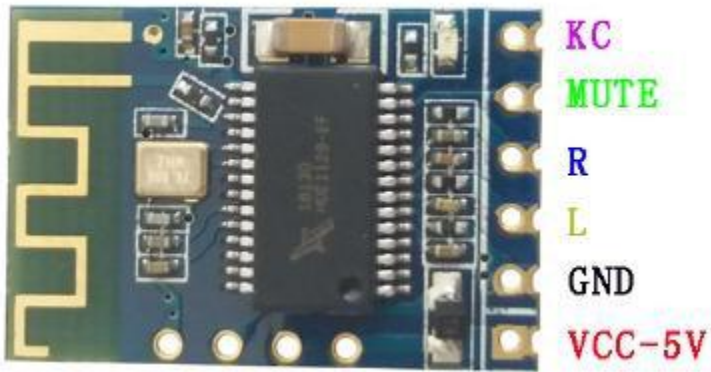


JDY-62

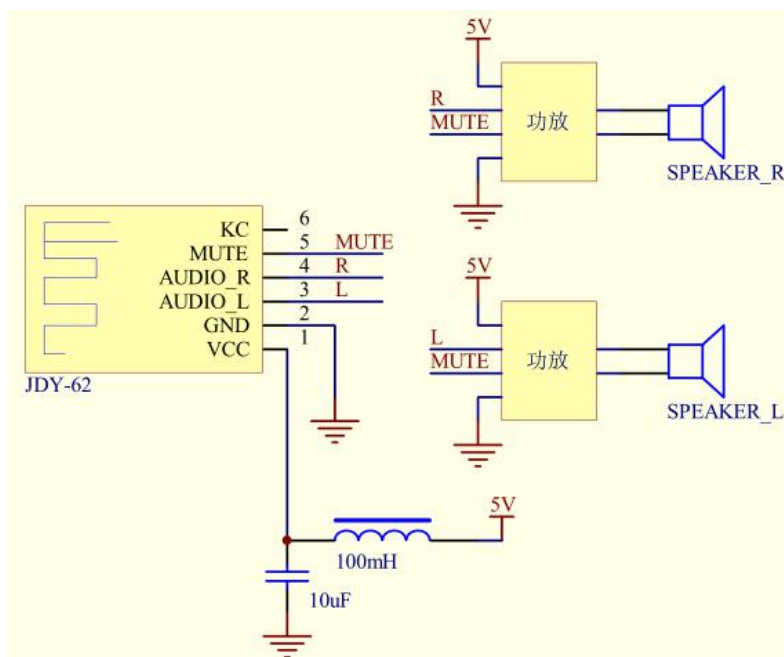
Module appearance and pin description



Pins can be soldered to pins or patches with 2.54mm pitch and 2.54 pin headers

PIN	Function	Description
1	VCC	Voltage range 4.2 to 5V, special instructions can not exceed 5 volts
2	GND	Power ground
3	L	Left channel output
4	R	Right channel output
5	MUTE	High level when silent, usually low level
6	KC	Empty pin

Module application wiring diagram



The Bluetooth audio module has a very high power requirement, otherwise it will affect the quality of the audio. The power supply must be added to the LC filter circuit, especially the switching power supply.

Module size

PCB size: 23*15.5*2.4MM (length, width and height)

Pin pitch: 2.54MM

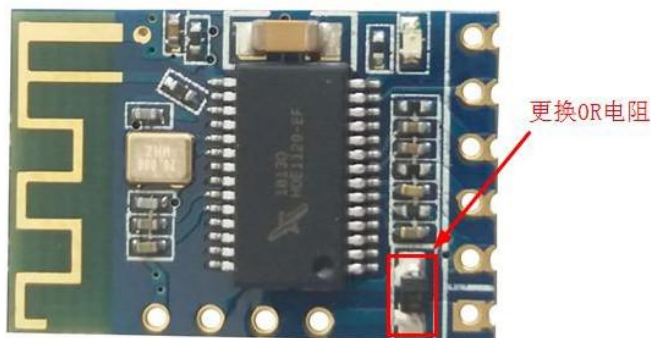
Common Problems

1. No bluetooth search:

Generally caused by power supply interference, the power supply line must be added with LC filter circuit.

2. Support 3.7 power supply or not:

The module is powered by 5 volts by default. You can replace the upper diode of the JDY-62 module with the 0805 package OR resistor, or short the wire, so you can use the lithium battery.



3. bluetooth signal is too weak

Do not wire or copper under the bluetooth module antenna, or there should be no metal shielding around the antenna.

4. The current sound is too loud

Generally caused by power ground interference, it is recommended that the power amplifier wiring should not be too long, and the bluetooth ground should be separated from the power ground.