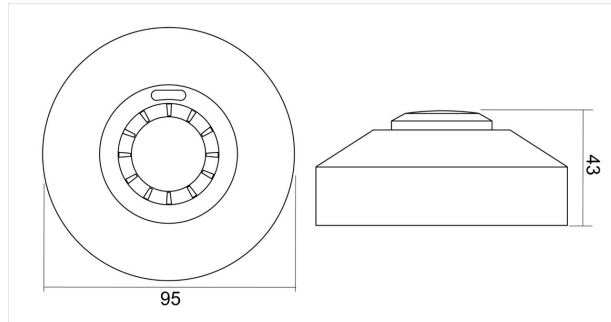


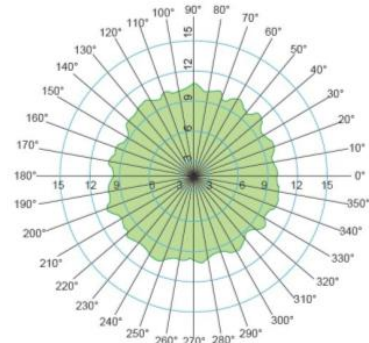
# Microwave motion sensor-Ceiling version

## Model No. YYLD-2



### 1. Product introduction

SK-701 is an active motion detector with adjustable sensitivity, daylight detection and time setting. It's based Doppler principle and RADAR technology, adopting rod antenna & high performance micro-chip. It is easy to install, provide high probability of detection, low nuisance alarms and resistance to rain, fog, wind, dust, falling snow and temperature extremes.



### 2. Technical parameters



suggested installation height 2.5-3.5m

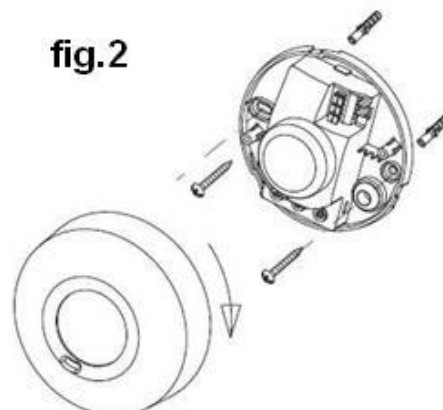
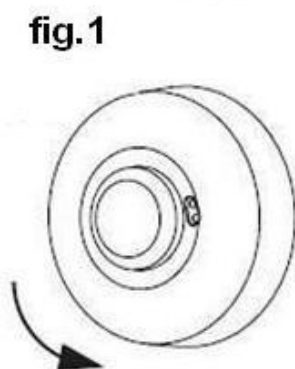
Detection range may change due to different installation height

1	Operating voltage	220-240V/AC	8	Transmission power	<0.2mW
2	Rated load	1200W (Max)	9	Installation	Ceiling mounting
3	Detection area	2-10meters	10	Detection angle	360°
4	Time setting	10sec-30min	11	Mounting height	Max. 3.5 m
5	Light control	10~2000lux	12	Operating temperature	-35°C~+80°C
6	Microwave frequency	5.8GHz +/-75MHz	13	Product size(L*W*H)	95*95*43mm
7	Power consumption	<0.5W			

**Note:** the high-frequency output of this sensor is <0.2mW that is just one of the transmission power of a mobile phone

### 3. Installation procedure

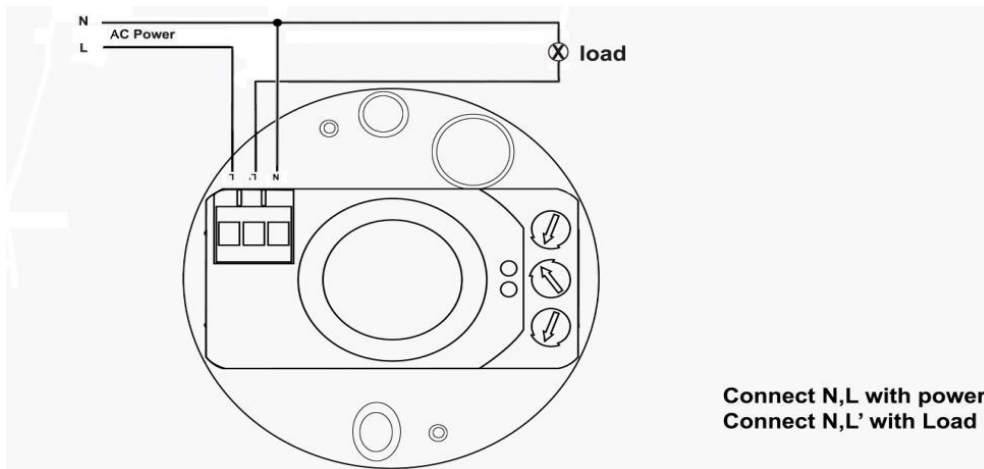
- 3.1 Take down the top cover by turning it anti-clockwise (see fig.1),
- 3.2 Hold base against the wall and mark drill holes, paying attention to any existing wiring in the wall
- 3.3 Drill the holes, insert wall plug (6mm dia.)
- 3.4 Put the power wire and load wire through the base holes
- 3.5 Screw the base into place (see fig.2)
- 3.6 Connect the mains power supply and the load wire to the connection terminal according to connection-wire mark
- 3.7 Fit glass shade and turn it clockwise (see fig.2)



# Microwave motion sensor-Ceiling version

## Model No. YYLD-2

### 4. Wiring diagram



### 5. Settings

#### Detection range setting (Sensitivity)



SENS

Detection range is the term used to describe the diameter to the more or less circular detection zone produced on the ground after mounting the sensor light at a height of 2.5m, turn the detection control fully anti-clockwise to select minimum detection range (approx. 1m), and fully clockwise to select maximum detection range (approx. 8m).

#### Time setting



TIME

The light can be set to stay ON for any period of time between approx. 8 sec (turn fully anti-clockwise) and a maximum of 12min (turn fully clockwise). Any movement detected before this time elapse will re-start the timer. It is recommended to select the shortest time for adjusting the detection zone and for performing the walk test.

#### Light-control setting



LUX

The chosen light response threshold can be infinitely from approx. 2-2000lux. Turn it fully anti-clockwise to select dusk to dawn operation at about 2 lux. Turn it fully clockwise to select daylight operation at about 2000lux. The knob must be turned fully clockwise when adjusting the detection zone and performing the walk test in daylight.

### 6. Troubleshooting

malfunction	Cause	Remedy
The Load does not work	Wrong light control setting selected	Adjust setting
	Load faulty	Change load
	Mains switch off	Switch on
The load work always	Continuous movement in the detection zone	Check zone setting
The load work without any identifiable movement	The sensor not mounted for detecting movement reliably	Reinforcement install accessories
	Movement occurred, but not been identified by the sensor (movement behind wall, movement of a small object in immediate lamp vicinity etc.)	Check the induction space settings
The load will not work despite movement	Rapid movements are being suppressed to minimize malfunctioning or the detection zone you have set is too small	Check the induction settings

#### Tips

# **Microwave motion sensor-Ceiling version**

**Model No. YYLD-2**

Please under the guidance of professionals personage to set related parameters of the sensors, do not secretly dismantling the product.

We reserve the right to make technical change without prior notice.