

Tools you need:
 ① Iron (30W) ④ Tweezers
 ② Solder wire ⑤ Wire cutters
 ③ Multimeter

Precautions:
 ① Check part values & quantities against part list
 ② Always meter resistor values before soldering
 ③ Understand all part polarities and orientations

Technical Specifications:
 Battery voltage: 3.7V Rated current: 20mA
 Battery capacity: 180mAh Frequency: 76-108MHz
 Weight: 59g (includes charging cable) Shape size: 62*48*12mm

Installation steps:
 1. resistance

R5 : 10K 103
 R2 R3 R4: 1.5K 152

2. capacitance (C4 C5)

C1 : 24P
 C3 C6 C7 C8: 106P
 C4 C5 : 47UF 476

3. inductance

L1 : 100NH
 L2 L3 : 1UH

4. chip

U1: Gs1299
 U2 : Tp4056 , U3: 622K

5. LED

LED1: 七彩慢闪
 LED2 : 绿光 , LED3: 红光

6. Power switch

S6 : 1P2T

7.1 USB charging socket

3 pins in the middle

7.2 USB charging socket

Break 3 pins in the middle

7.3 USB charging socket

J2 : MICRO USB

8.1 Crystal oscillator

Cut off the superfluous oscillator pin

8.2 Crystal oscillator

Y1 : 32.768K

9. Diode

D1 : Ss14

10. Headphone jack

J1 : 3.5mm

11. Key

S1--S4 : 4.5*4.5*9

12. C board and D board overlap

Ensure 5 holes alignment!

13. Welding the 5 holes

C board and D board exactly coincide!

14. Battery

Insert the headset test circuit , If the circuit can work properly, continue to the next step,

15. Stick double-sided adhesive

16. Paste the battery on the double-sided adhesive

17. Mounting screws

18. Nylon column installed on the screw

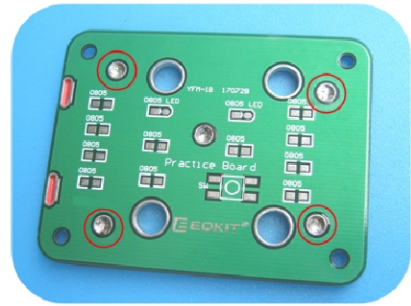
19. Install the YFM-K panel

20. Install acrylic border

21. A board and B board overlap

Ensure 5 holes alignment!

22. Welding the 5 holes



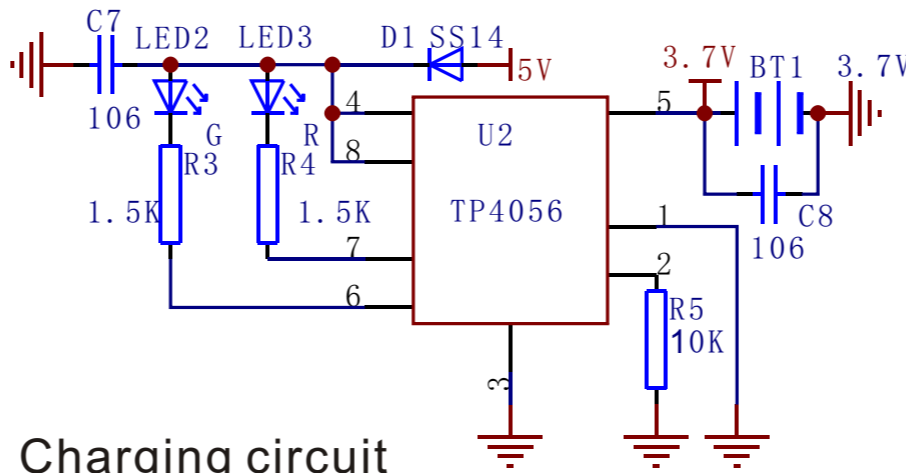
A board and B board exactly coincide!

23. Install 4 key caps

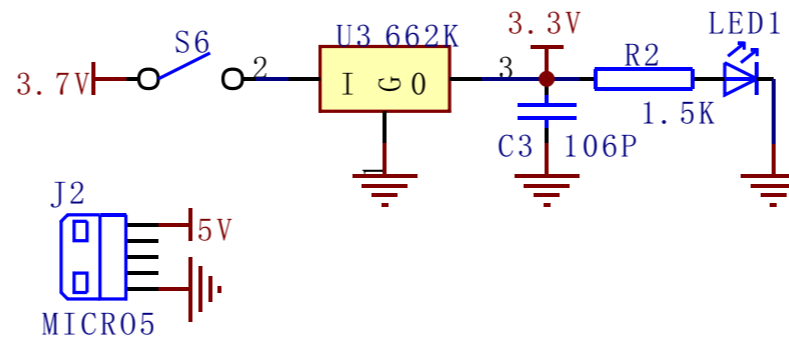


completed

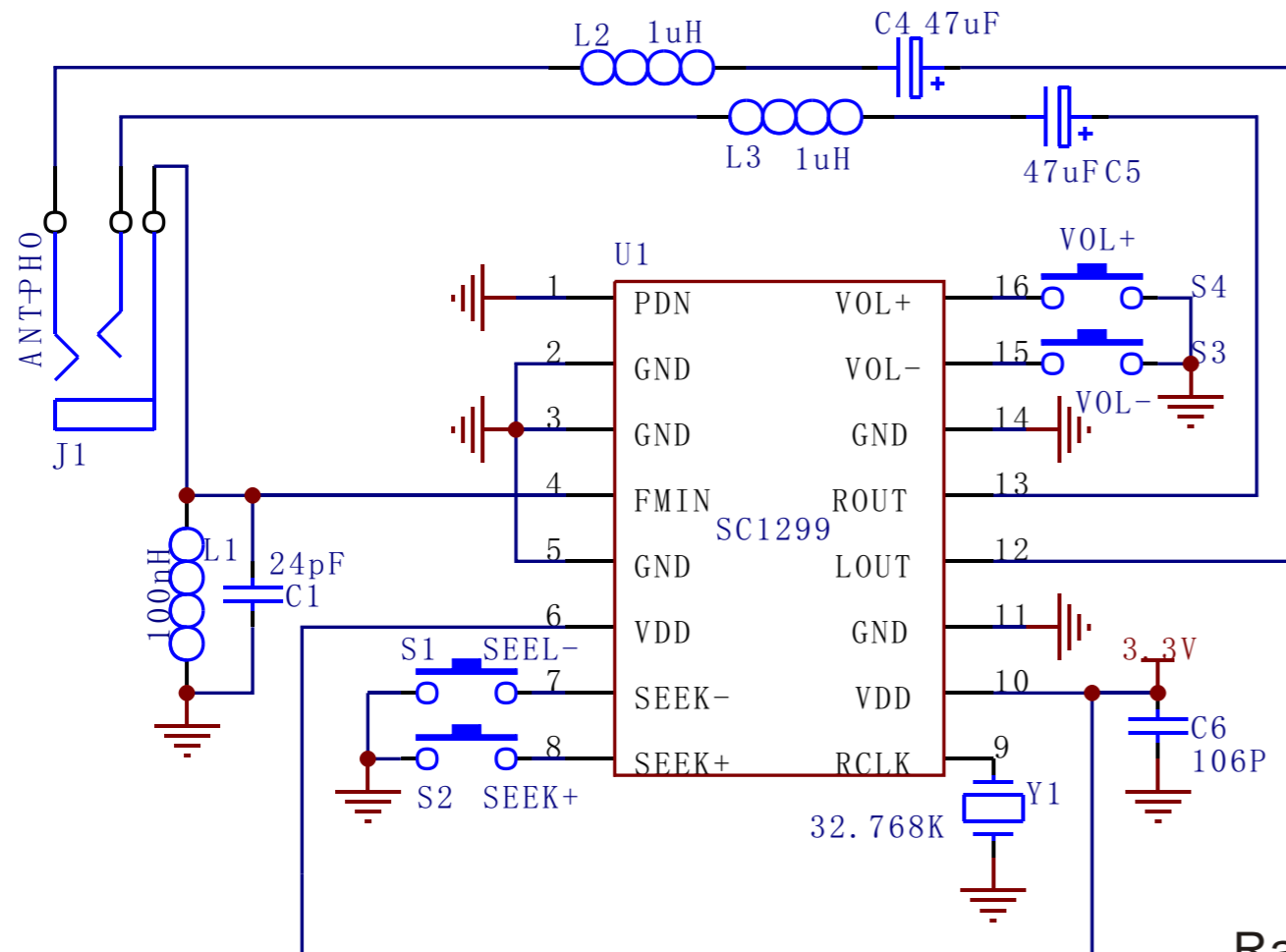
24. Install 4 screws



Charging circuit



Power circuit



Radio circuit

Component list

Name	Model	Numbering	QTY
Resistance	0805 1.5K	R2 R3 R4	8
	0805 10K	R5	3
	0805 106PF	C3 C6-C8	6
Capacitance	47UF	C4 C5	2
	0805 100NH	L1	2
Inductance	0805 1UH	L2 L3	3
	Diode	SS14	D1
LED	Colorful	LED1	2
	0805 Green	LED2	2
	0805 Red	LED3	2
Chip	GS1299 SOP16	U1	1
	TP4056 SOP8	U2	1
	662K	U3	1
Crystal	32.768K	Y1	1
Key	4.5*4.5*9	S1--S4	5
Power switch	1P2T	S6	1
Headphone jack	3.5mm	J1	1
USB charging socket	MICRO USB	J2	1
PCB YFM-1A	1MM Red		1
PCB YFM-1B	1MM Green		1
PCB YFM-1C	1MM Green		1
PCB YFM-1D	1MM Red		1
PCB YFM-K	0.8MM Red		1
Acrylic	2MM transparent		2
	3MM transparent		1
Key caps	F6*H5 Red		4
Nylon column	M2*6		4
Screw	M2*5		9
double-sided adhesive	10*10*2mm		1
Battery	3.7V 180mAH		1
USB charging cable	MICRO 0.8m		1

Redundant components are used to practice welding
For example, 1.5K resistance, the actual use of three, the other five used to practice.