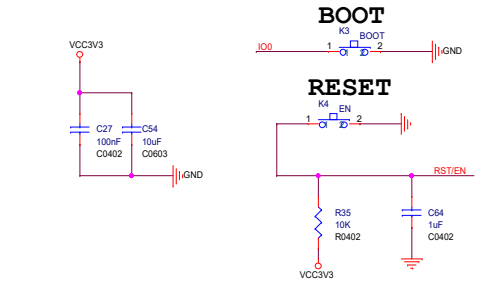
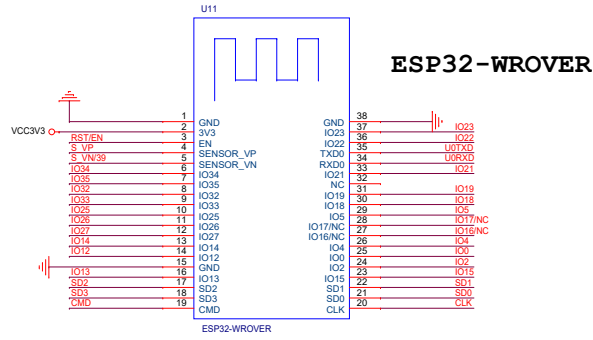
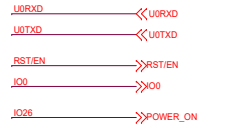
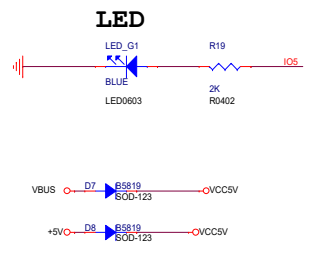
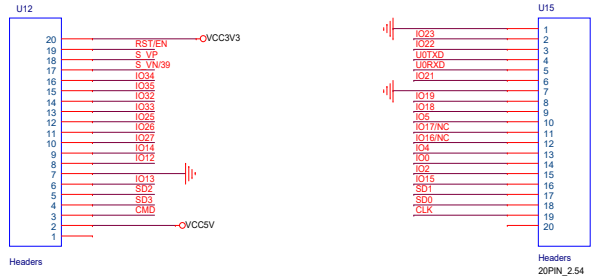


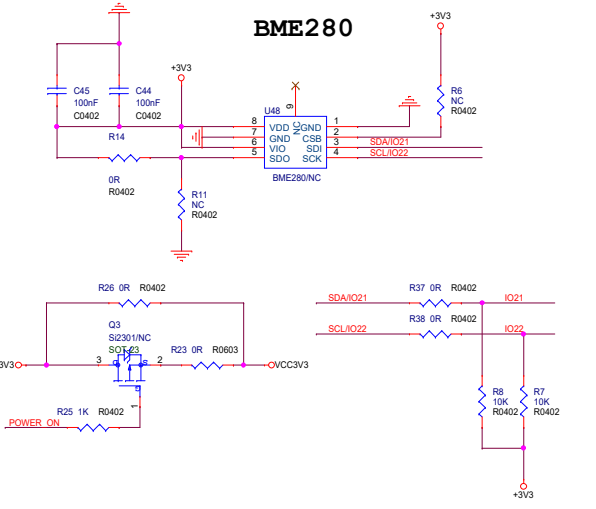
Title		T18_V3.0
Size	Document Number	Rev
B	power	V3.0
Date:	Friday, April 19, 2019	Sheet 1 of 2



Header



BME280



LDO 3.3V

