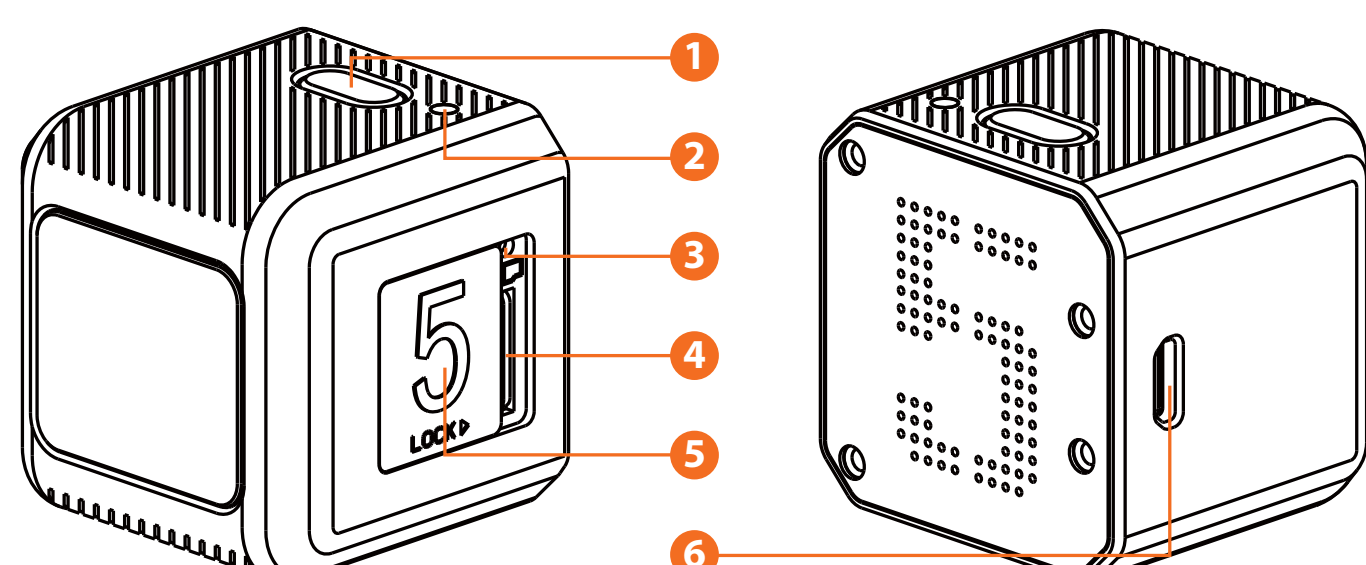


RunCam 5 Orange

User Manual

■ Instruction Diagram



- 1 Shutter Button
- 2 Camera Status Light (LED)
- 3 Reset Button
- 4 SD Card Slot
- 5 SD Card Locking Door
- 6 Micro USB Port

Charging

Micro USB port supports DC 5-15V power supply. A DC 5V 1~2A charger is recommended. The **Red LED** will turn on during charging and turn off when charging is complete. It takes about 2 hours to get fully charged.

Low Battery Warnings

When powered on, if the charge is less than 25%, the **Blue LED** will continue to flash for 3 seconds.

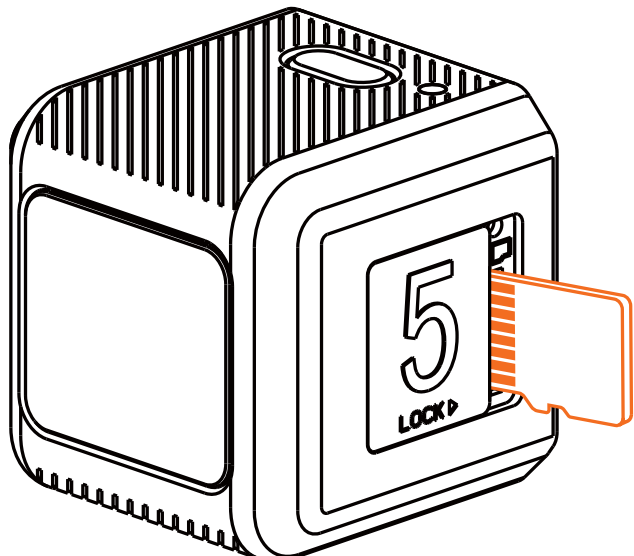
■ Basic Camera Operation

Powering On/Off	• Long press the Shutter button with Green LED on, the camera is under standby mode.
Mode Switch	• Double-click the Shutter button to cycle through the recording mode (Green LED), setting mode (Blue LED)
Recording On/Off	• In the recording mode, click the Shutter button to start recording, the green light flashes; click the Shutter button again, the recording stops, the green light stops flashing.
Parameter Settings	• Set in the RunCam App
Forced Shutdown	• Simultaneously press the Shutter button and Reset button.
Formatting	• In standby mode. Triple-click the Reset button, with a long beep and Green LED blinks three times.
Reset	• In standby mode. Long press the Reset button, with three beeps and Blue LED blinks three times.

■ microSD Card

Insert the microSD card as indicated by the icon next to the card slot. Use brand name memory cards (sold separately) that meet these requirements:

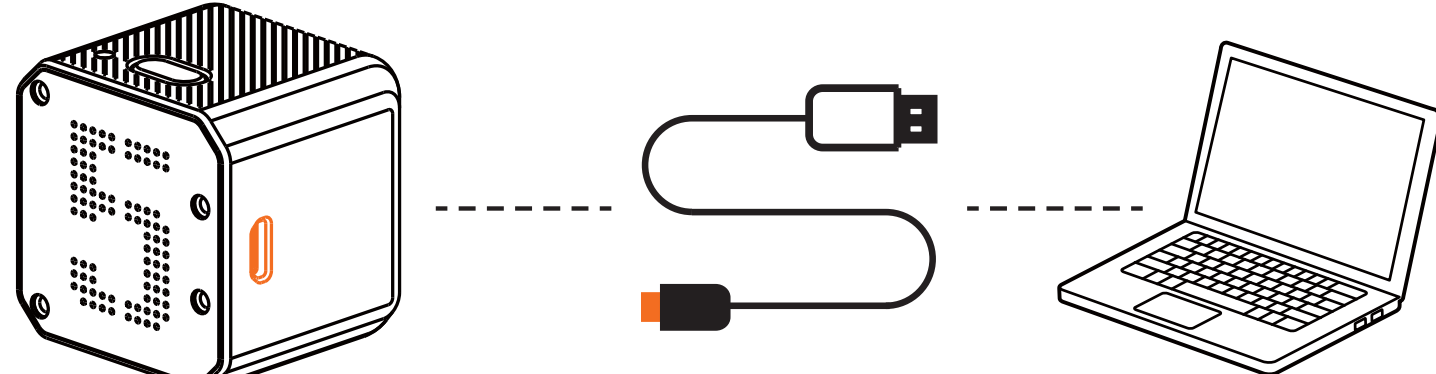
- microSD, microSDHC, or microSDXC
- **U3 recommended** (2.7K50/2.7K60 1080P120 requires U3 or above; other resolutions require U1 or above)
- Capacity up to 128GB



NOTICE: Use carefully when handling memory cards. Avoid liquids, dust, and debris. As a precaution, power off the camera before inserting or removing the card. Check manufacturer guidelines regarding use in acceptable temperature ranges.

Abnormal SD Card Status: If the blue light continues to flash quickly after powering on, it indicates that the SD card is not inserted, or full or cannot be recognized.

■ Connection to Computer



After turning on the camera, connect it to the computer via USB cable, then it will be recognized as a removable disc.

NOTICE: If the camera can not be recognized by the computer after connecting, please make sure that a microSD card is well inserted. If the information on microSD card can not be read normally, please try with another micro USB cable or USB port on the computer.

■ Firmware Upgrade

To ensure that the camera performs optimally, please use the latest firmware. Update method here: <https://runcam.com/download/runcam5or>.

■ Video Bitrate and Codec

Resolution	Video Quality			Codec
	High	Medium	Low	
4K@30fps	60Mbps	50Mbps	40Mbps	H.264
2.7K@60fps	60Mbps	50Mbps	40Mbps	
2.7K@50fps	60Mbps	50Mbps	40Mbps	
1440P@60fps	40Mbps	30Mbps	20Mbps	
1080P@120fps	60Mbps	50Mbps	40Mbps	
1080P@60fps	45Mbps	30Mbps	22Mbps	

■ Parameter

Image Sensor	SONY IMX 377 (12MP)				
Video Resolution	4K@30fps/2.7K@60fps/2.7K@50fps/1080P@120fps/1080P@60fps/1440P@60fps				
Field of View (FOV)	145°				
Video File Format	MP4				
TV-OUT	Support				
Communication Interface	Micro USB				
microSD Card supported	Up to 128G. U3 recommended (2.7K50/2.7K60 1080P120 requires U3 or above; other solutions require U1 or above) Please make sure that the file format of the SD card is FAT32, otherwise, it will easily cause errors.				
WiFi	Nonsupport				
Shutter	Auto	1/30	1/60	1/120	1/240
ISO	Auto/100/200/400/800/1600/3200				
USB Power Input	DC 5-15V				
Battery Capacity	900mAh				
Power Consumption	Max 620mA @5V				
Dimension	38*38*36mm				
Net Weight	56g (with battery)				

■ Technical Support

Please visit: <https://support.runcam.com>