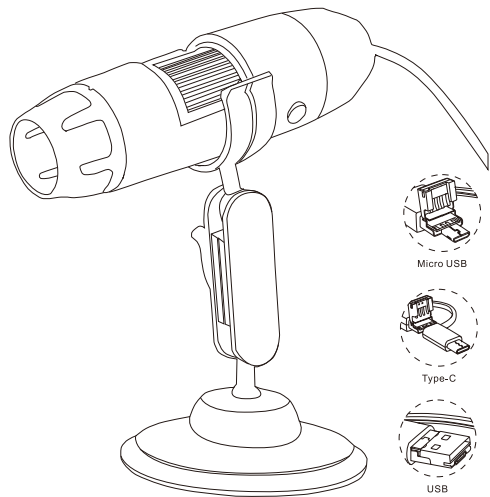


3 in 1 USB Digital Microscope

instruction manual

(English)

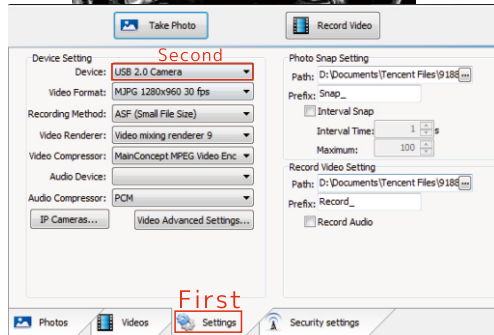


Important note

When using it, please note the following points

- 1.click on the setting icon on main interface of the device
- 2.click on the device and select the camera.

Smart Camera



Product Introduction

Manual:



This is a high quality electronic microscope which you can use to snap HD pictures,capture video,and measure objects.You can use this microscope for:Industrial Inspection,Computer Parts inspection,Telecom module inspection, scientific teaching tool, Laboratory Research, Medical analysis,School Research tool,Insect dissection examination,Plant dissection examination, Skin examination,Scalp examination, Textile Inspection,Jewellery Inspection,Collections/ Coin Inspection,Printing Inspection,Reading Aid, Teacher Add as Project,Presentation and so on.

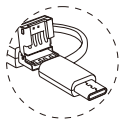
Use on the phone

✓	Necessary condition for phones
✓	Requires Android 4.2 or later
✓	Have and open OTG funtion
✓	Access to external camera

Product function introduction



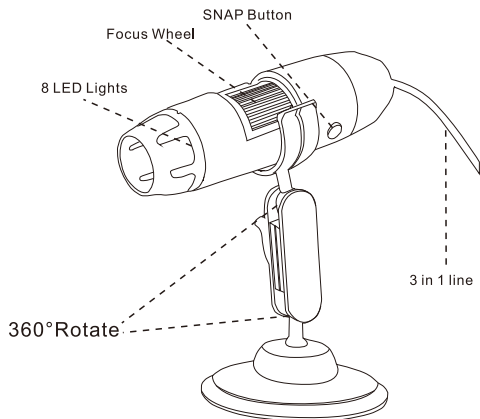
Micro USB



Type-C



USB



How to use on mobile Android phone

Step one	Download APP:Search for "Camera Fi" APP on Google Play store,or scanning the QR code below,or enter the URL: www.inskam.com/download/inskam.apk
Step two	Install the APP in the phone.
Step three	Connect the product to the phone,then you can use this product.



inskam

How to use on Windows system

Step one	<p>① Enter the URL: www.inskam.com/download/camera.zip the compatibility is more powerful, only can take photos on software.</p> <p>② Enter the URL: www.inskam.com/download/PC.zip You can take photos through the Photo button on the microscope.</p>
Step two	Install the drive in the PC.
Step three	Connect the product to the PC, open the "Smart Camera" drive. You can start using this product.

How to use on Mac system

Method	Please use "Photo Booth", "Quick Time Player" or "VLC(VideoLan Client)" drives
--------	--

Product Parameters

HD Resolution	<input type="checkbox"/> 640x480P <input type="checkbox"/> 1920x1080P
Camera diameters	1.5m
Operation system	Android 4.2 or later/Windows/Mac
Detailed list	1x 3 in 1 Microscope 1x Mental Tripod 1x Instructions 1x Packing Box

Troubleshootin

If this equipment dose not work properly, read the following contents carefully, troubleshoot the problem or contact us for the solution

Problem	Solution
Camera is not clear	Regulating magnification
Connect the phone, the light does not shine, and no image	Please confirm whether OTG function is on
Connect the phone, lights, and no images	Please confirm whether the phone supports free driving UVC camera
Does not work on the phone/ computer	Please confirm whether it is connected with the device/ whether the camerfi software is downloaded and operating