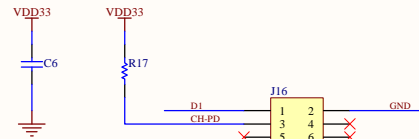
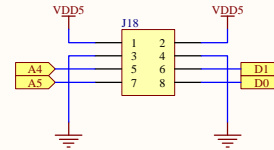


POWER

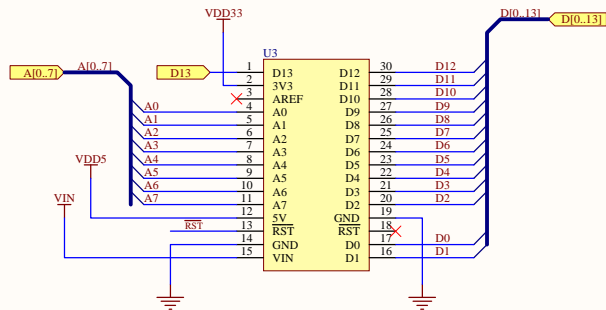
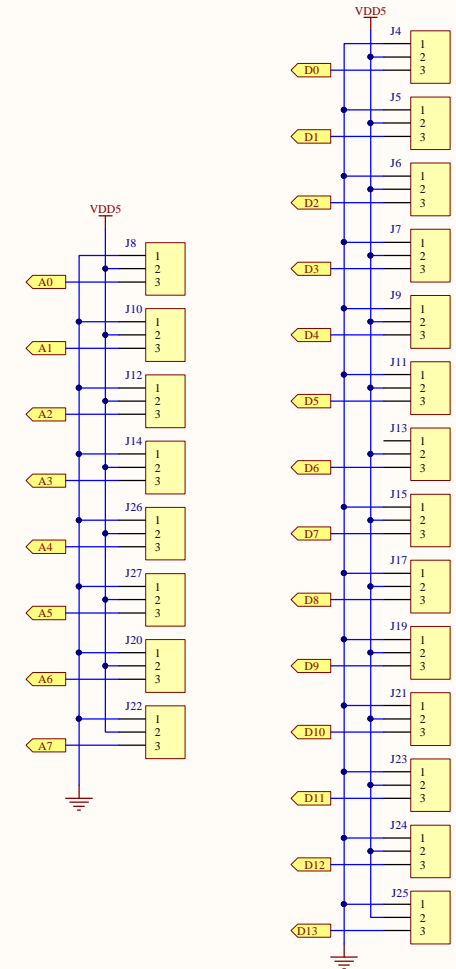


ESP8266 IO & I2C PORT & SERIAL PORT

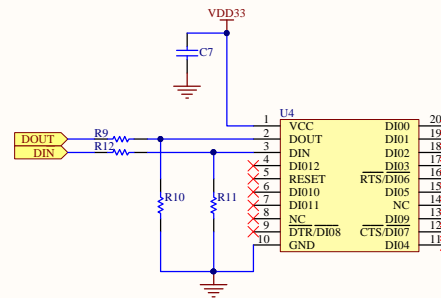


XBEE PORT

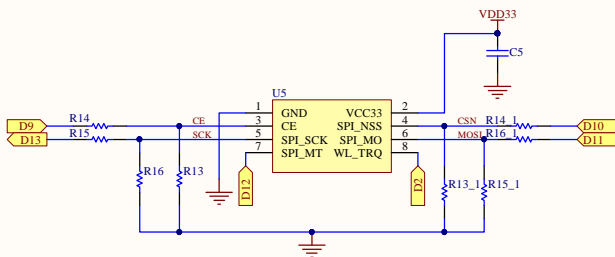
EXTEND IO A0-A7 & D0-D13



ARDUINO-NANO IO



APC PORT & SELECT



WL_MOUdle_2.4G

