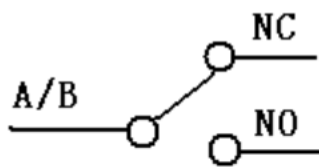


Bluetooth switch module V1.20

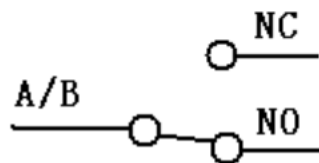
Bluetooth control relay newly upgraded two road, a module is a variety of combination, is not the same as the same module of experience, is now all meet the diverse needs of users.

1、 module introduced

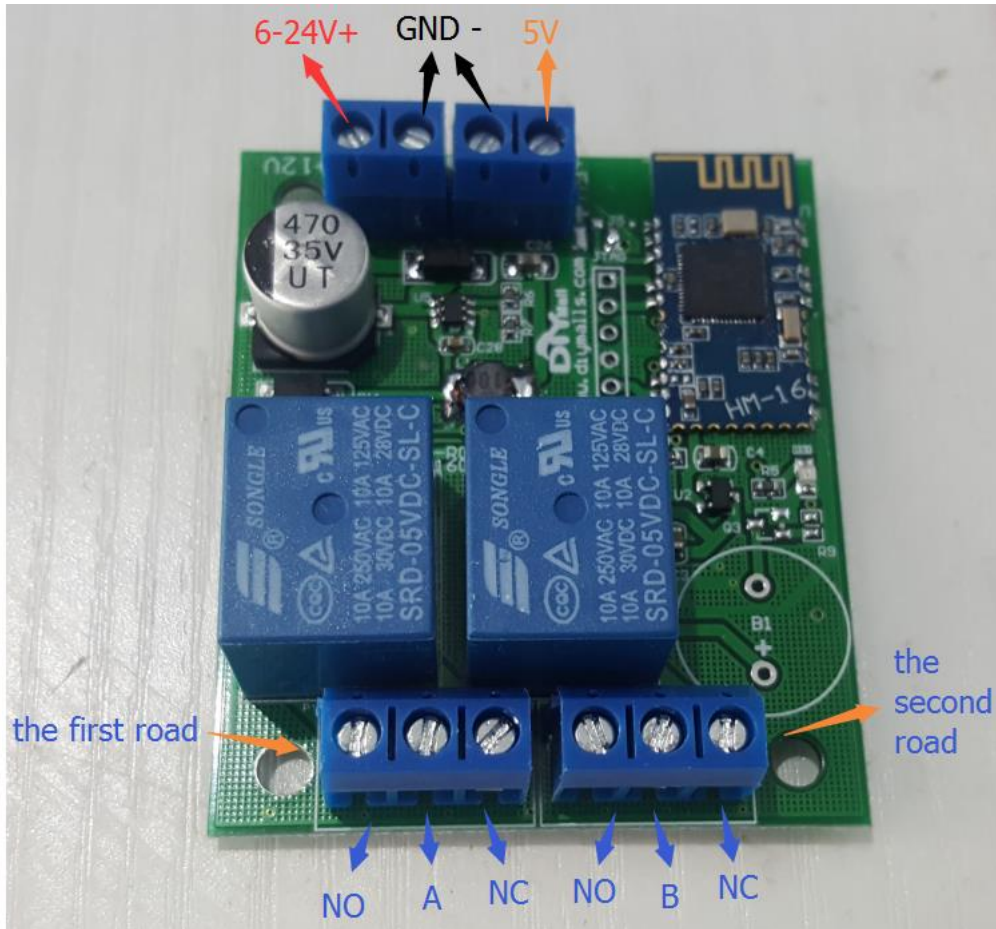
Bluetooth relay switch module for via bluetooth host devices (such as computers, mobile phones) connection module for wireless switch and action. Each relay switch is independent modules, each relay interface definition NO respectively, and the A/B, NC. In the case of relay disconnect A/B and NO connected, relay connect to NC and off after A/B. Relay interface for mechanical connected here, there is no power output. The following figure



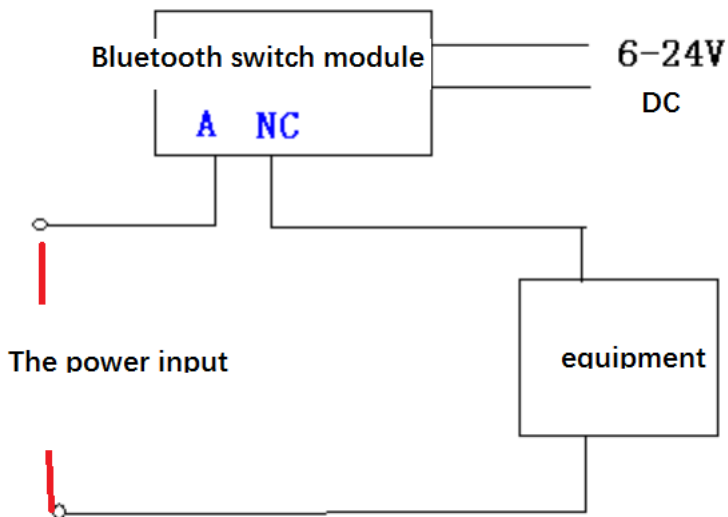
no-operating



relay-operating



Here a simple control equipment of the power supply connection application example:



Simple speaking, relay module is to replace the traditional mechanical switch, as long as the mechanical switch can realize the function, can relay via bluetooth modules, if you don't know how to wiring, you can imagine if a mechanical switch for you, how to meet? This bluetooth

relay module on how to pick up.

On the right side of two power supply interface, respectively is 5 v interface and interface of 12 v, 12 v interfaces is wide voltage range, can access 6 to 24 v. According to the alternative power supply voltage. Left for the relay control interface, 2 3 p terminal are respectively 2 road relay switch, each port is all the way in the middle of the public side, the relay is not and state, the public side short circuit connected with the normally closed end. Relay and public end and often start after short circuit connected, so as to realize the switch.

2. manual of products

1. The first by the 12 v input interface or 5 v input interface to the module is powered on

After power on module lights flashing, pay attention to the power supply is negative, if connected to the power supply after 3 s light is not flashing, please unplug the power supply, check whether meet the, prevent burn out.

2. Mobile phone software instructions

The android mobile operating:

- 1) installation of mobile software, android software interface, as shown in the main interface, click the scan button, the scanning to the device, click on the device name and then connected, into the control interface. Software is our company general software, suitable for a variety of products of the company, contains 4 relay control and 3 road LED PWM dimming control, ZL - RELAY02 only two road relay is available, no LED lights control operation.
- 2) Setting device password, click on set password button and equipment of the initial password is 12345678.
- 3) set the password and then click the way switch 1 and 2 way switch button to relay on-off operation.
- 4) if need to change the software password, then click Change password button are available, and set up a password and then click the confirmation.

22:08



ZL-RC02D

BB:AC:51:AC:00:01 RSEI-45

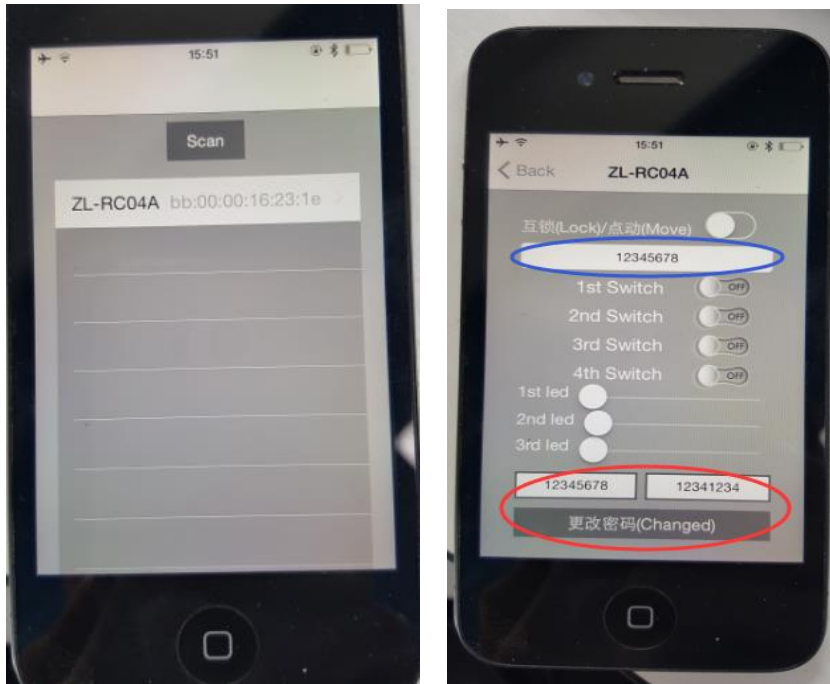


The IOS software instructions:

1) in the apple store search TwoSwitchBle (app store). You can download the software.

2) open the software, click scan, search our equipment. After clicking, found equipment into operation interface.

3) enter the interface, can operate. Here under special instructions, interlock electric option buttons below a line of input box to show the use (blue circle), does not set the password, here only shows how much is your current password. If you want to modify the default password is software, input box changes in the red circle, the first input box enter 12345678, the second input box enter your current password, is the first line of the default display password is modified. If you want to modify the device password, should in the red circle of the first input current device password input box, the second input you want to modify the password input box, motor change password.



Control command (hexadecimal)

1. Connect the first relay all the way

To the parameters of 8 bytes ASC code number password, if the default password is "12345678"

The data format: C5 04 XX XX XX XX XX XX XX AA.

A total of 11 bytes, including XX ASC code of Numbers

2. Shut down the first relay all the way

To the parameters of 8 bytes ASC code number password, if the default password is "12345678"

Data format: C5 07 XX XX XX XX XX XX XX AA.

A total of 11 bytes, including XX ASC code of Numbers

3. Connecting the first two relays

To the parameters of 8 bytes ASC code number password, if the default password is "12345678"

The data format: C5 05 XX XX XX XX XX XX XX AA.

A total of 11 bytes, including XX ASC code of Numbers

4. Close the first 2 relay

To the parameters of 8 bytes ASC code number password, if the default password is "12345678"

Data format: C5 07 XX XX XX XX XX XX XX AA.

A total of 11 bytes, including XX ASC code of Numbers

5. Connect the third road relay

C5 31 XX XX XX XX XX XX XX AA. A total of 11 bytes, including XX ASC code of Numbers

6. Close the third road relay

C5 32 XX XX XX XX XX XX XX AA. A total of 11 bytes, including XX ASC code of Numbers

7. Connect the fourth road relay

C5 33 XX XX XX XX XX XX XX AA. A total of 11 bytes, including XX ASC code of Numbers

8. Close the fourth road relay

C5 34 XX XX XX XX XX XX XX AA. A total of 11 bytes, including XX ASC code of Numbers

9, change the password

Into the parameters for the 8 bytes in the original password and eight bytes to change the password, if the default password is "12345678"

The data format:

C5 XX XX XX XX XX XX XX XX XX XX XX XX XX XX AA. A total of 18 bytes, including blue XX marked the original password, red XX marked a new password.

10. Control the LED lamp brightness (don't need a password)

Data format for (can support multiple, instructions are 55, 66, 77, 88, 99 AA BB, etc.)

C5 55 XX AA

C5 66 XX AA

C5 77 XX AA

The XX is brightness value 0-50 values.

11. To change the device name (without the aid of a password, Numbers and letters, digits custom, 10 characters)

The data format for:

C5 10 XX XX XX AA

The red XX for hexadecimal Numbers and letters