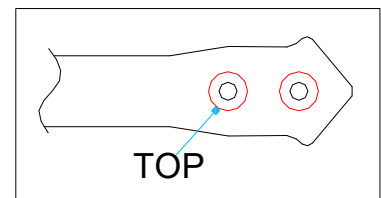
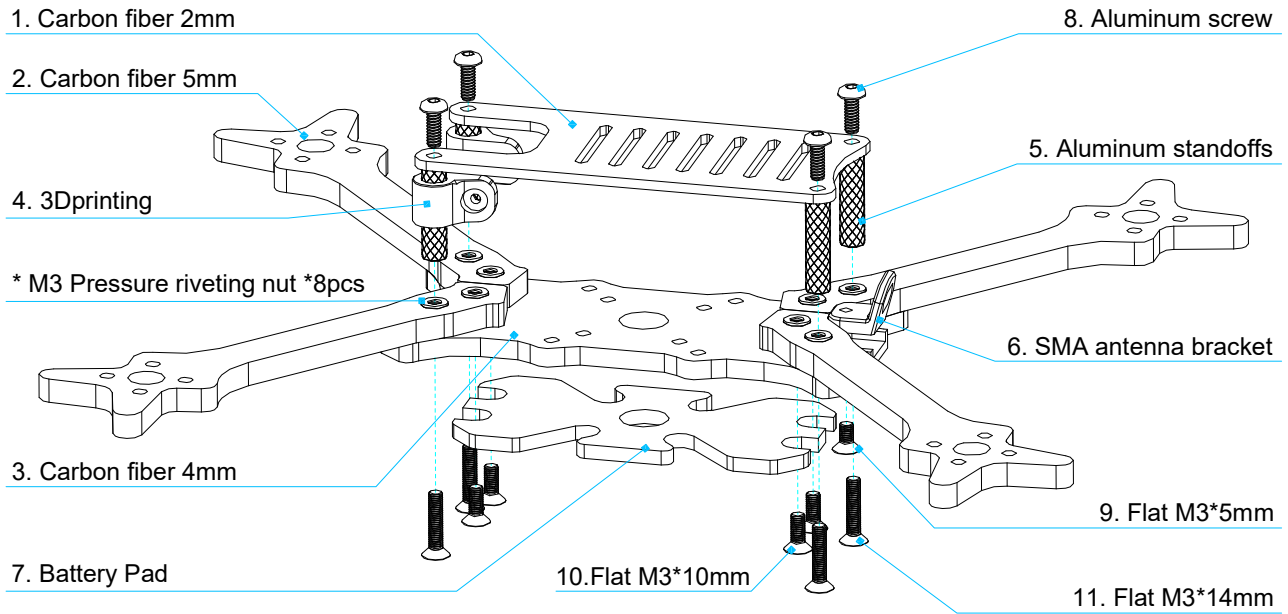


Kopis 2 GS v2

Assembly Guide



PART LIST

NO.	Name	Spec	Qty(pcs)
1	Carbon fiber - Top plate	the thickness of 2mm	1
2	Carbon fiber - ARM plate	the thickness of 5mm	4
3	Carbon fiber - Bottom plate	the thickness of 4mm	1
4	3D printing	3D printing -black TPU	2
5	Aluminum standoffs	21mm Titanium gray	4
6	SMA antenna bracket	Aluminum alloy parts Titanium gray	1
7	Battery Pad	3mm Silicon sheet	1
8	Aluminum screw	M3*6mm	4
9	Flat head screw	M3*5mm	1
10	Flat head screw	M3*10mm	4
11	Flat head screw	M3*14mm	4