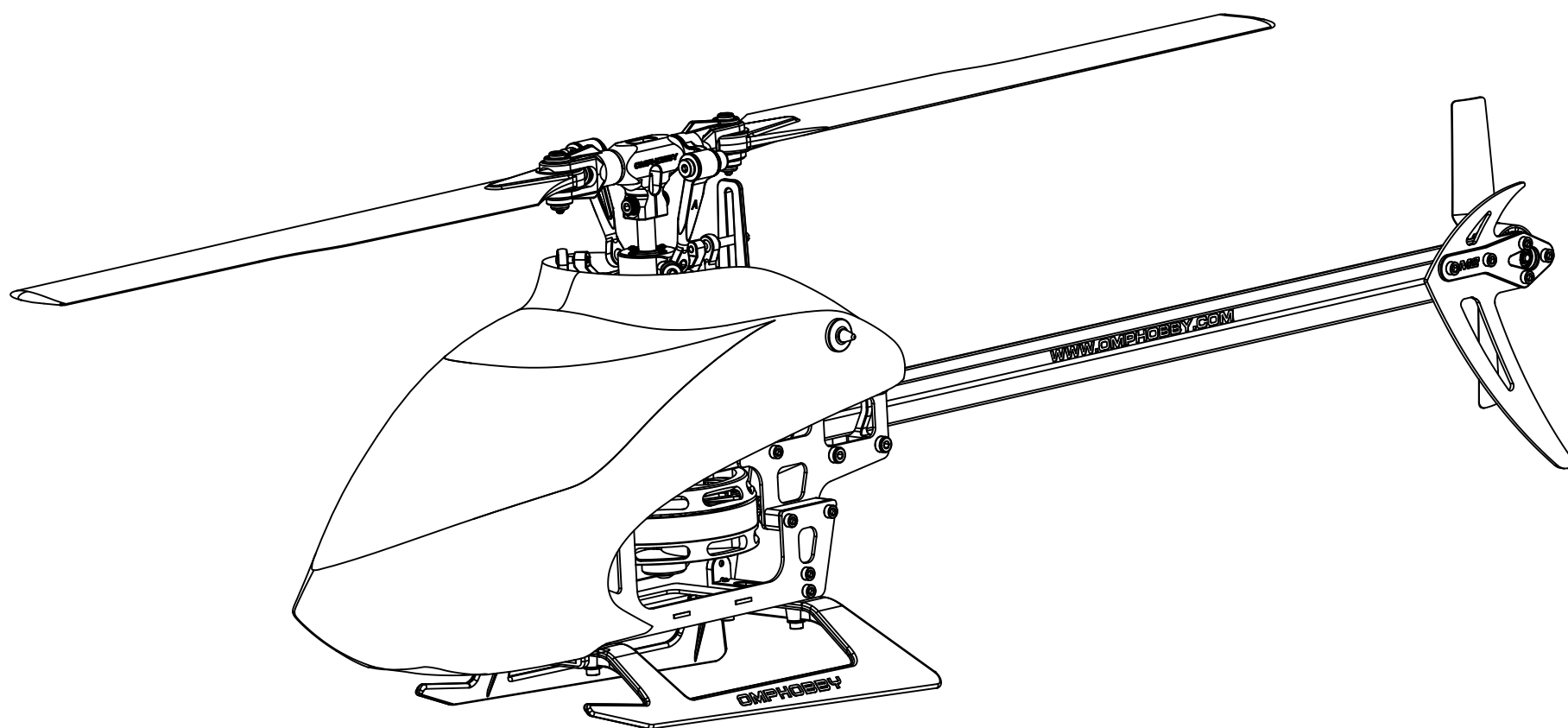


# M2 EXPLORE

## INSTRUCTION MANUAL

## 使用说明书



**OMP HOBBY**  
**# 1 BY DESIGN**

Thank you for buying **OMP HOBBY** products. The **M2EXP** is the latest technology in Rotary RC models. Please read this manual carefully before assembling and flying the New **M2EXP** helicopter. We recommend that you keep this manual for future reference regarding and maintenance

感谢您选用边锋智驱系列产品。

进入遥控世界前必须告诉您许多相关的知识与注意事项，以确保您能够在学习的过程中较得心应手。在开始操作之前，请务必仔细阅读本说明书，相信一定能够给您带来相当大的帮助，也请您妥善保管这本说明书，以作为日后参考。




Thank you for buying OMPHOBBY Products. The M2EXP Helicopter is designed as an easy to use,full featured Helicopter R/C model capable of all forms of rotary flight. Please read the manual carefully before assembling the model, and follow all precautions and recommendations located within the manual. Be sure to retain the manual for future reference, routine maintenance, and tuning.

The M2EXP is a new product developed by OMPHOBBY. It features the best design available on the Micro-Heli market to date, providing flying stability for beginners,full aerobatic capability for advanced fliers, and unsurpassed reliability for customer support.

感谢您选购边锋智驱公司产品，为了你容易方便使用M2 EXP直升机，请您详细的阅读完这本说明书之后再进行组装以及操作这台直升机，同时请您妥善保存这本说明书，作为日后进行调整以及维修的参考。

M2 EXP是由边锋智驱有限公司自行研发的新产品，不论您是需求飞行稳定的初学者还是追求性能卓越的飞行爱好者。M2 EXP将是您最佳的选择。

## WARNING LABEL LEGEND 标志代表含义

 <b>WARNING</b> 警告	<p>Mishandling due to failure to follow these instructions may result in damage or injury. 因为疏忽这些操作说明，而使用错误可能造成财产损失或严重伤害。</p>
 <b>CAUTION</b> 注意	<p>Mishandling due to failure to follow these instructions may result in danger. 因为疏忽这些操作说明，而使用错误可能造成危险。</p>
 <b>FORBIDDEN</b> 禁止	<p>Do not attempt under any circumstances 在任何禁止的环境下，请勿尝试操作。</p>

## IMPORTANT NOTES 重要声明

R/C helicopters, including The M2EXP are not toys.R/C helicopter utilize various high-tech products and technologies to provide superior performance.Improper use of this product can result in serious injury or even death. Please read this manual carefully before using and make sure to be conscious of your own personal safety and the safety of others and your environment when operating allOMPHOBBY products.

Manufacturer and seller assume no liability for the operation or the use of this product . Intended for use only by adults with experience flying remote control helicopters at a legal flying field. After the sale of this product we cannot maintain any control over its operation or usage.

M2 EXP遥控直升机并非玩具，它是结合了许多高科技产品所设计出来的休闲用品，所以商品的使用不当或者不熟悉都可能会造成严重伤害甚至死亡，使用之前请务必详细阅读本说明书，勿轻忽并注意自身安全。

注意！任何遥控直升机的使用，制造商和经销商是无法对使用者于零件使用的损耗异常或组装不当所发生之意外负责任何责任，本产品是提供给有操作过模型直升机经验的成人或者有相当技术的人员在旁指导于当地合法遥控飞行场飞行，以确保安全无误下操作使用，产品售出后该公司将不负任何责任和使用控制上的任何性能与安全责任。

We recommend that you obtain the assistance of an experienced pilot before attempting to fly our products for the first time, A local expert is the best way to properly assemble , setup, and fly your model for the first time .M2 Helicopter requires a certain degree of skill to operate, and is a consumer item. Any damage or dissatisfaction as a result of accidents or modifications are not covered by any warranty and cannot be returned for repair or replacement. Please contact our distributors for free technical consultation and parts at discounted rates when you experience problems during operation or maintenance.

模型商品属于需高操作技术且为消耗性之商品，如经拆装使用后，会造成不等情况零件损耗，任何使用情况所造成的商品不良或不满意，将无发于保固条件内更换新品或者退货，如遇有使用操作维修问题，本公司全球分公司或者代理商将提供技术指导，特价零件供应服务。

## SAFETY NOTES 安全注意事项



Fly only in safe areas,away from other people. Do not operate R/C aircraft within the vicinity of homes or crowds of people .R/C aircraft are prone to accidents,failures,and crashes due to a variety of reasons including,lack of maintenance,pilot error, and radio interference. Pilots are responsible for their actions and damage or injury occurring during the operation or as of a result of R/C aircraft models.

遥控模型飞机、直升机属于高危险性商品，飞行时务必远离人群，人为组装不当或机件损坏，电子控制设备不良，以及操控上的不熟悉、都有可能导致飞行失控损伤等不可预期的意外，请飞行者务必注意飞行安全，并需了解自负疏忽所造成的任何意外之责任。



**LOCATE AN APPROPRIATE LOCATION 远离障碍物及人群**

R/C helicopters fly at high speed ,thus posing a certain degree of potential danger .Choose a legal flying field consisting of flat,smooth ground without obstacles.

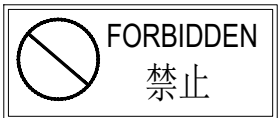
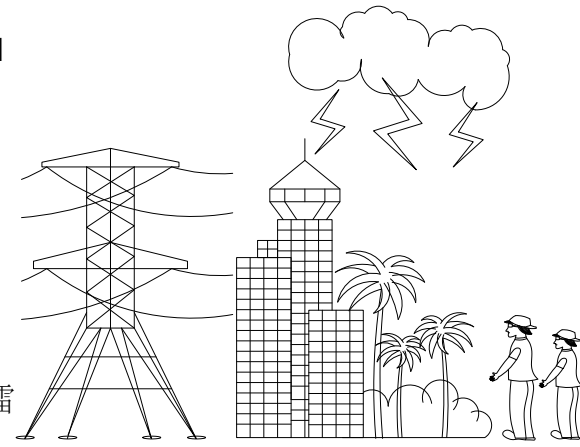
Do not fly near buildings,high voltage cables ,or trees to ensure the safety of yourself,others and your model.

For the first practice,please choose a legal flying field and can use a training skid to fly for reducing the damage .Do not fly your model in inclement weather,such as rain,wind snow or darkness.

直升机飞行时具有一定的速度，相对的也潜在着危险性，场地的选择也相对的重要，请遵守当地的法律法规到合法的遥控飞行场地去飞行。

必须注意周边有没有人、高楼、建筑物、高压电线、树木等等、避免操控的不当造成自己或他人的财产损坏。

初次练习时，务必选择在空旷合法专属飞行场地并适当搭配练习架飞行，这对于飞行失误所造成的损伤将会大幅的降低。请勿在下雨天、打雷等恶劣天气下操作，以确保本身及机体的安全。

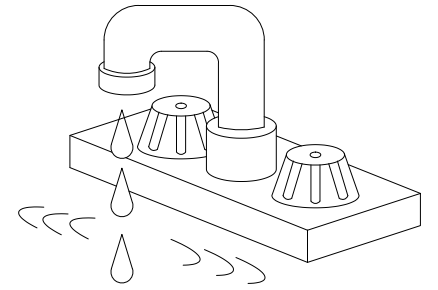


**PREVENT MOISTURE 远离潮湿环境**

R/C models are composed of many precision electrical components.

It is critical to keep the model and associated equipment away from moisture and other contaminants.The introduction or exposure to water or moisture in any form can cause the model to malfunction resulting in loss of use,or a crash .Do not operate or expose to rain or moisture

直升机内部也是由精密的电子零件组成，所以必须绝对的防止潮湿或水气，避免在浴室或雨天时使用，防止水气进入机身内部而导致机件及电子零件故障而引发不可预期的意外！



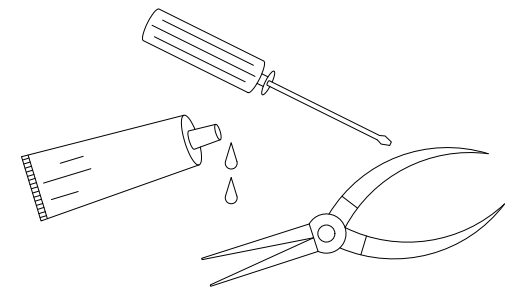
**PREVENT OPETATION 勿不当使用本产品**

Please use the replacement of parts on the manual to ensure the safety of instructors.

This product is for R/C model,so do not use for other purpose.

请勿自行改造加工，任何的升级改装或维修，请使用三源电子科技产品目录中的零件，以确保结构的安全。

请确认于产品限界内操作，请勿过载使用，并勿用于安全、法令外其他非法用途。



**OBTAIN THE ASSISTANCE OF AN EXPERIENCED PILOT 避免独自操控**

Before turning on your model and transmitter,check to make sure no one else is operating on the same frequency.Frequency interference can cause your model,or other models to crash.

The guidance provided by an experienced pilot will be invaluable for the assembly,tuning,trimming,and actual first flight. (Recommend you to practice with computer-based flight simulator.)

至飞行场地前，需确认是否有相同频率的同好正在飞行，因为开启相同的频率的发射机将导致自己与他人立即干扰等意外危险。

遥控飞机操控技巧在学习初期有着一定的难度，要尽量避免独自操作飞行，需有经验的人士在旁指导，才可以操控飞行。(勤练电脑模拟器及老手指导是入门必要的选择)



**SAFE OPERATION 安全操作**

Operate this unit within your ability.Do not fly under tired condition and improper operation may cause in danger

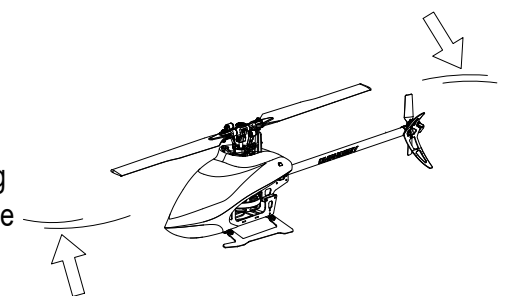
请于自己能力及需要一定技术范围内操作这台直升机，过于疲劳，精神不佳或不当操作，意外发生风险将可能会提高。



**ALWAYS BE AWARE OF THE ROTATING BLADES 远离运转中的零件**

During the operation of the helicopter,the main rotor and tail rotor will be spinning at a high rate of speed .The blades are capable of inflicting serious bodily injury and damage to the environment.Be conscious of your actions,and careful to keep your face,eyes,hands,and loose clothing away from the blades.Always fly the model a safe distance from yourself and others,as well as surrounding objects.Never take your eyes off the model or leave it unattended while it is turned on.Immediately turn off the model and transmitter when you have landed model.

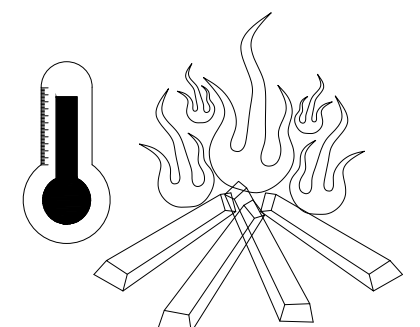
当直升机主旋翼与尾旋翼运转时，切勿触摸并远离任何物件，以避免造成危险及损坏。

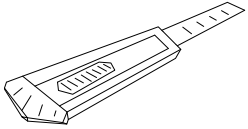
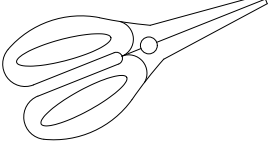
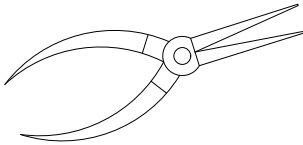
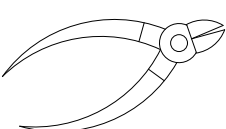
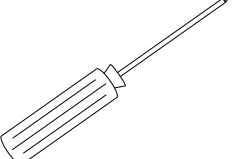
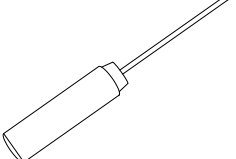
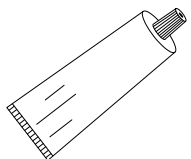




**KEEP AWAY FROM HEAT 远离热源**

R/C models are made of various forms of plastisc.Plastic is very susceptible to damage or deformation due to extreme heat and clod climate .Make sure not to store the model near any source of heat such as an oven,or heater.It is best to store the model indoors ,in a climate-controlled,room temperature environment.

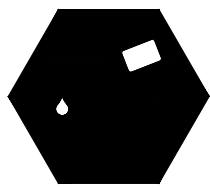
遥控飞机多半是以PA纤维或聚乙烯、电子商品为主要材质，因此要尽量远离热源、日照、以避免因高温而变形甚至熔毁损坏的可能。



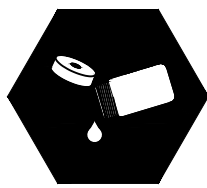
 <p>Cutter Knife 刀子</p>	 <p>Scissors 剪刀</p>	 <p>Needle Nose Pliers 尖嘴钳</p>	 <p>Diagonal Cutting Pliers 斜口钳</p>	
 <p>Philips Screw Drive 十字螺丝起子</p>	 <p>Hexagon Screw Driver 六角螺丝起子</p>	 <p>Oil 润滑油</p>	 <p>CA 瞬间胶</p>	 <p>AB Glue AB胶</p>

## 胶水使用方法

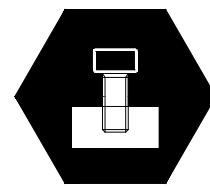
When you see the marks as below, please use glue or grease to ensure flying safety.  
 标有以下符号之组装步骤，请配合上胶或上油，以确保使用之可靠度。



Apply BLUE Threadlock  
使用螺丝胶



Apply Petroleum-Based,  
Light Viscosity Lube  
添加润滑油



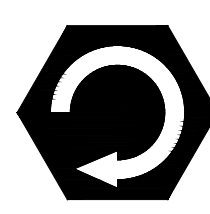
Loosely Tighten  
普通拧紧



Apply NO Threadlock  
无需使用螺丝胶



Apply Synthetic  
Grease  
添加润滑油脂



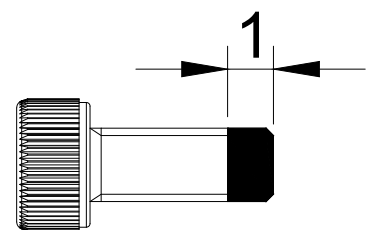
Fully Tighten  
完全拧紧



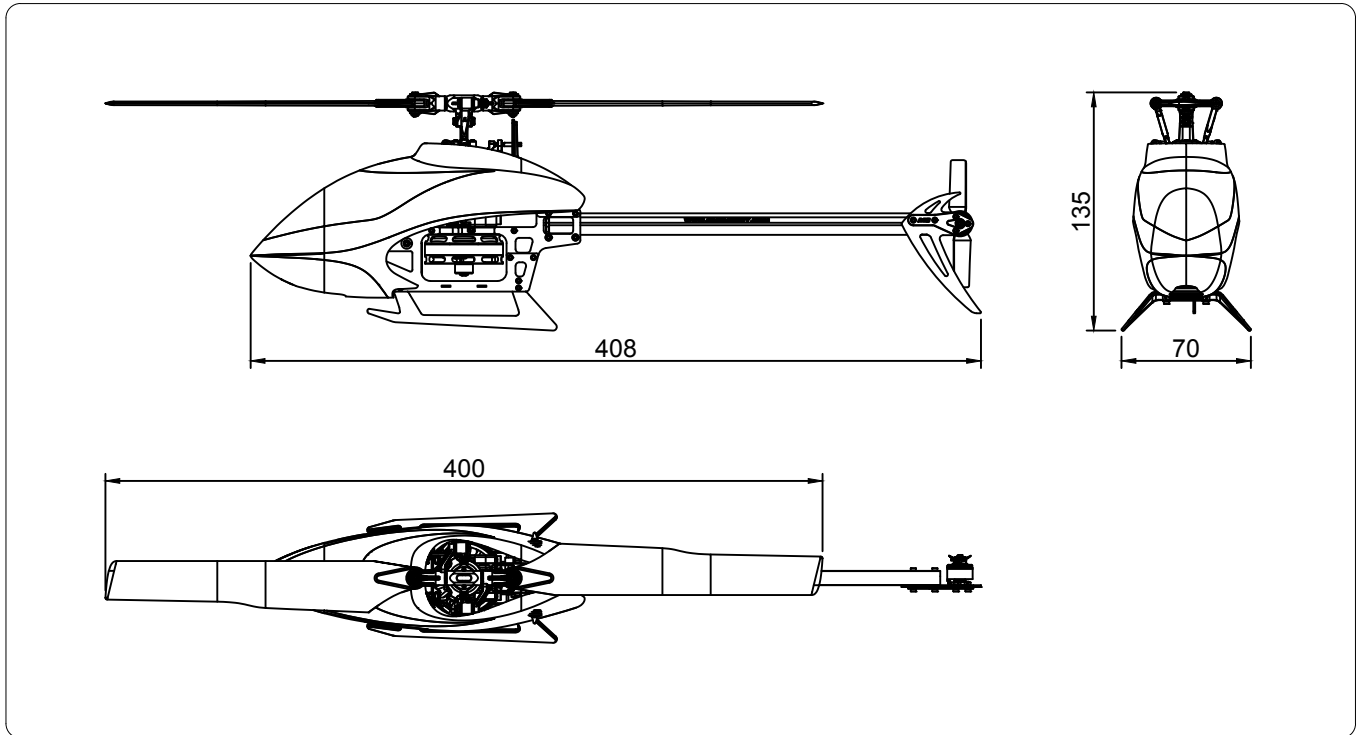
Apply MEDIUM CA  
使用瞬间胶固定



Repeat Multiple Times  
重复多次



BLUE Glue width: approx 1mm  
蓝色螺丝胶上胶宽度约1.0mm



## Specifications 参数配备

- |                               |                 |
|-------------------------------|-----------------|
| ● Length: 408mm               | ● 机身长: 408mm    |
| ● Height: 135mm               | ● 机身高: 135mm    |
| ● Main Blade: 173mm           | ● 主旋翼长度: 173mm  |
| ● Main Rotor Diameter: 400mm  | ● 主旋翼直径: 400mm  |
| ● Tail Rotor Diameter: 71.5mm | ● 尾旋翼直径: 71.5mm |
| ● Flying Weight: 306g         | ● 起飞重量约: 306g   |

## Features 设计特点

- Dual Brushless direct drive motors
- The blade clip and swash plate are designed using a carbon composite technology
- Air frame all carbon fiber light weight design
- Streamlined low wind resistance hood design
- The landing gear is made of high strength nylon, more forgiving than the carbon fiber plates in previous version.
- The tailpipe is designed with an inverted water drop shape
- The integrated six-sided hollow CNC tailpipe fixing mount
- The directly connected rear carbon fiber fin with tail motor mount is a novel design making the structure light weight.
- Integrated, Dual Brushless ESC, Flight Controller and Receiver
- opened the flight controller to allow for adjusting of the flight controller parameters.

- 采用双无刷电机直接驱主尾旋翼设计
- 高碳工程塑胶材质无副翼旋翼头设计
- 机身全碳纤维轻量化设计
- 流线型低风阻机头罩设计
- 高抗冲击尼龙塑胶脚架设计
- 滴水形铝合金尾管设计
- 一体式6面镂空尾管固定座设计
- 垂直翼一体式尾电机固定座设计
- 四合一OFS控制系统
- 可调个性化设置调参飞控

**Ball Bearing-MR63ZZ**  
滚珠轴承(Ø3xØ6x2.5mm)x2

**Ball Bearing-MR63**  
滚珠轴承(Ø3xØ6x2mm)x2

**Main collet bearing bushing**  
主夹头轴承衬套 (Ø3.1xØ4.3x1.9mm)x2

**Flat bearing gasket**  
平面轴承垫片(Ø4xØ6x0.1mm)x2

**Thrust bearing**  
止推轴承(Ø3xØ6x2.8)

Obverse of bearing faces inside.  
轴承面凹开口朝内

**CAUTION 注意**

Thrust bearing  
止推轴承(Ø3xØ6x2.8mm)

Flat bearing gasket  
平面轴承垫片(Ø4xØ6x0.1mm)

Ball Bearing-MR63  
滚珠轴承(Ø3xØ6x2mm)

塑胶主旋翼夹座

Main collet bearing bushing  
主夹头轴承衬套(Ø3.1xØ4.3x1.9mm)

Ball Bearing-MR63ZZ  
滚珠轴承(Ø3xØ6x2.5mm)

Thrust bearing and washer for radial bearing are wear items, and thus should be inspected for replacement after every 20 flights.  
For flights with high headspeed, the inspection interval should be reduced to ensure flight safety.  
止推轴承及横轴垫圈属于飞行消耗品, 建议每20趟定期检查及更换, 高主旋翼转速飞行时, 请缩短定期检查之趟数, 以确保飞行安全。

**CAUTION 注意**

Thrust bearing  
止推轴承(Ø3xØ6x2.8)

(OUT) 内径较小 (IN) 内径较大

塑胶主旋翼夹座

**CAUTION 注意**

原装组装完成品, 每一次飞行前请先确认螺丝是否已上股不会松动。

金属主旋翼固定座

Feathering shaft  
横轴 Ø5x38.9mm

Washer  
垫片(Ø3.1xØ4.5x0.6mm)

Washer  
垫片(Ø2.1xØ5x0.2mm)

Socket screw  
圆头内六角螺丝(M2x6mm)x2

Washer  
垫片(Ø3.1xØ4.5x0.6mm)x2

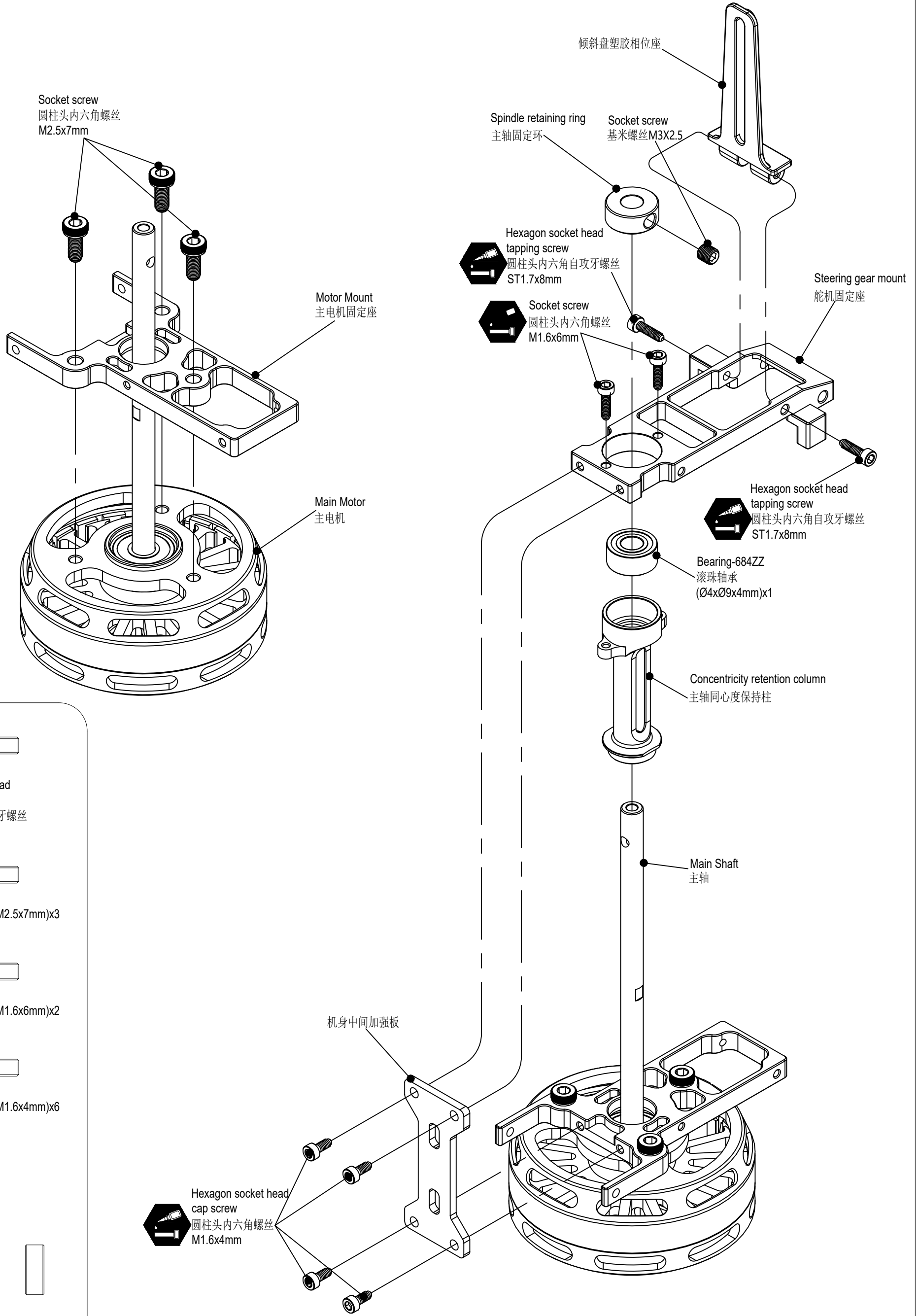
Damper rubber-red  
横轴避震套  
(Ø2.95xØ5.95x2.9mm)x2


Socket screw  
圆柱头内六角螺丝  
M2x6mm

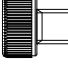
Pay attention to the direction of the copper washer  
铜套台阶面朝轴承方向  
Damper rubber


**CAUTION 注意**


横轴避震套  
Ø2.95xØ5.95x2.9mm



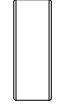
- 


Hexagon socket head tapping screw  
圆柱头内六角自攻牙螺丝 (ST1.7x8mm)x2
- 


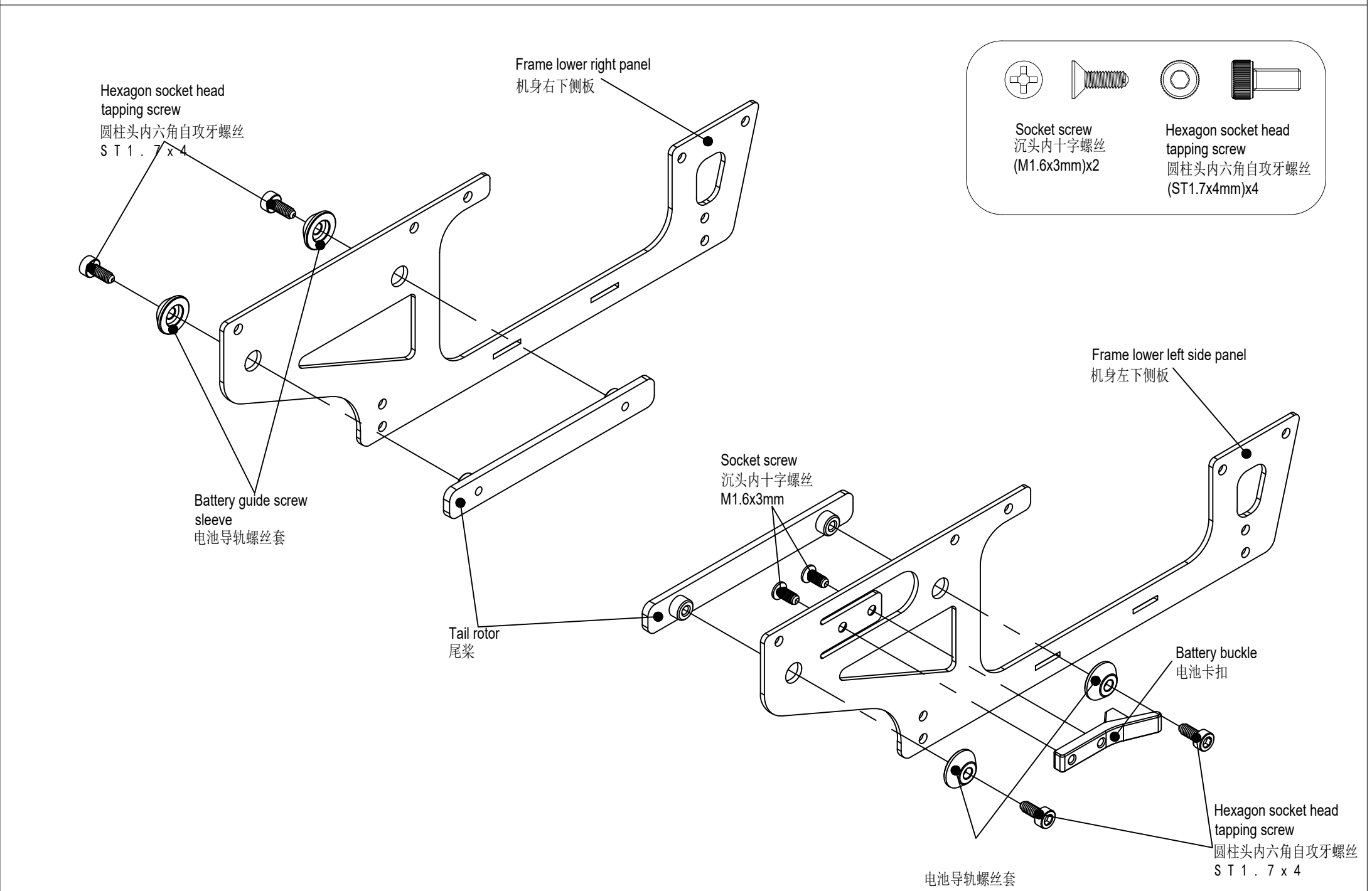
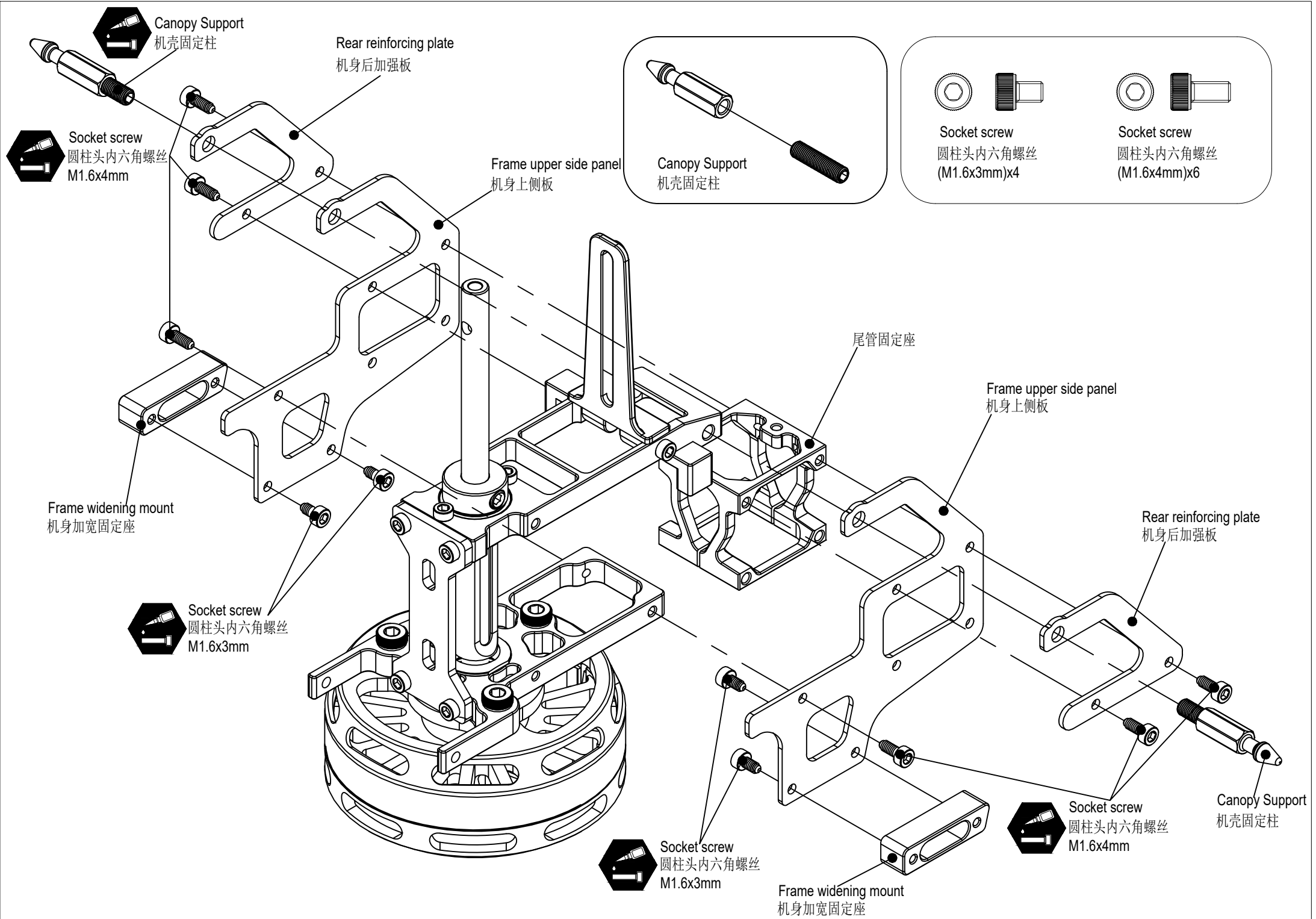
Socket screw  
圆柱头内六角螺丝(M2.5x7mm)x3
- 


Socket screw  
圆柱头内六角螺丝(M1.6x6mm)x2
- 


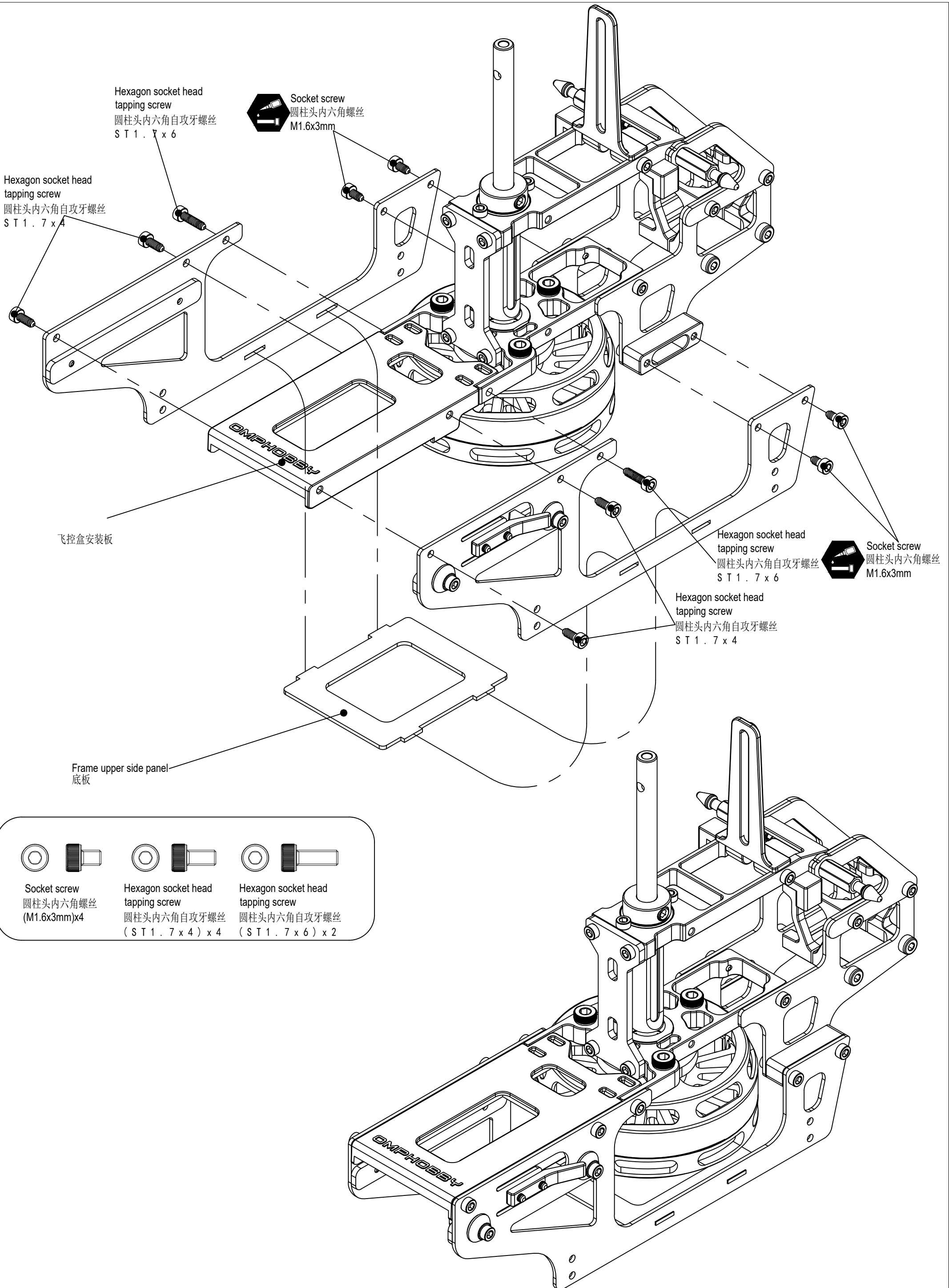
Socket screw  
圆柱头内六角螺丝(M1.6x4mm)x6
- 

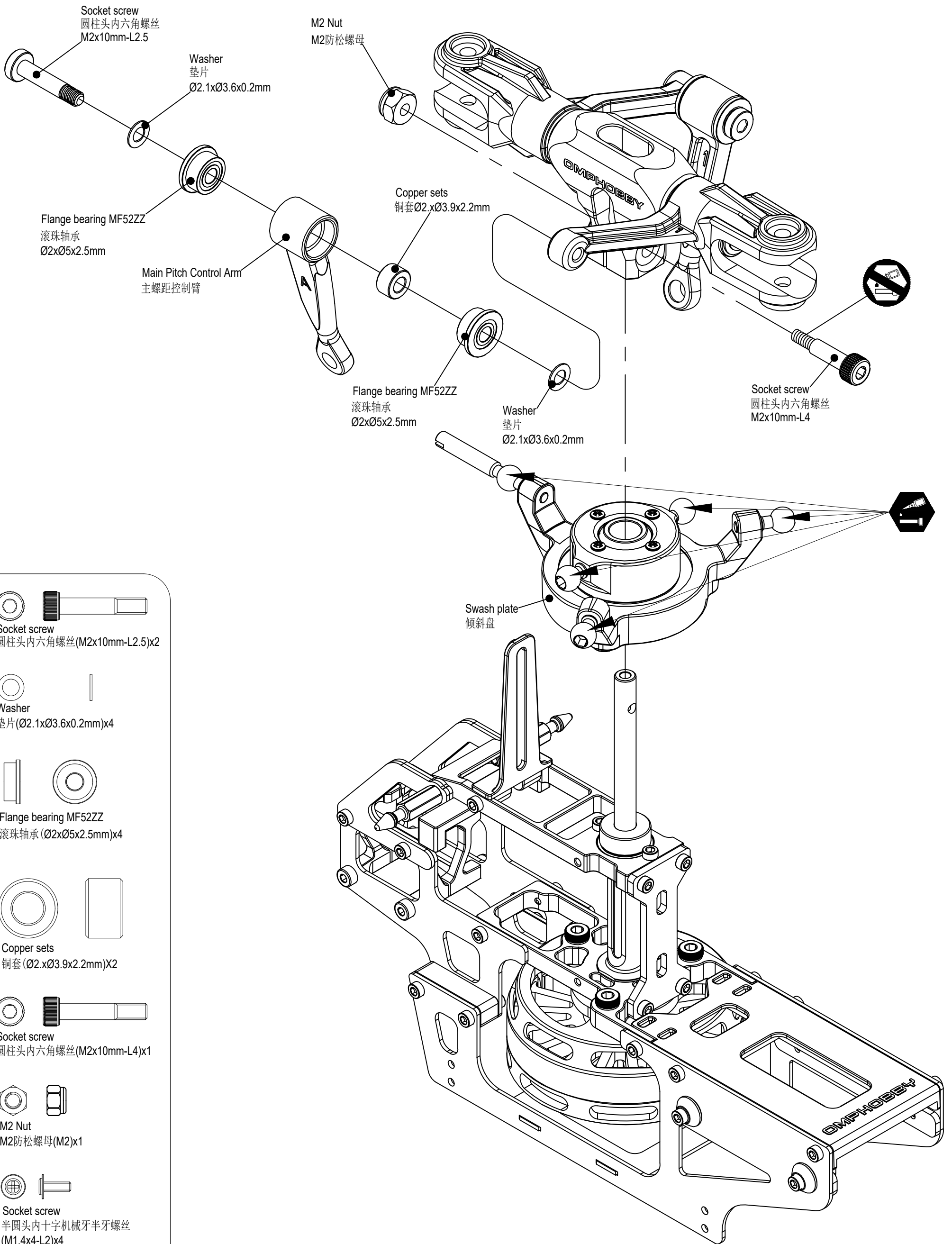

Socket screw  
基米螺丝 (M3x2.5)x1
- 


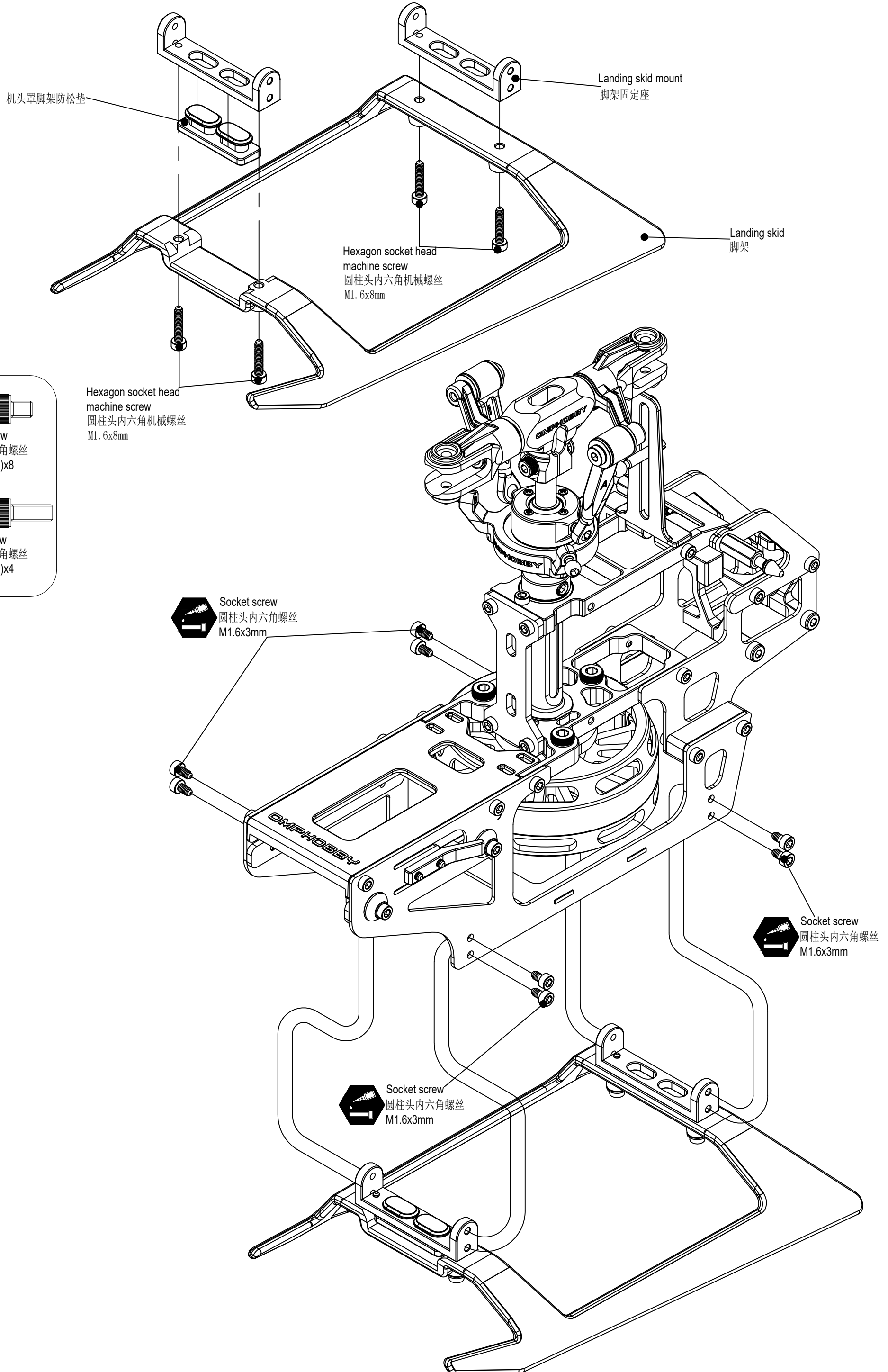
Bearing-684ZZ  
轴承(Ø4xØ9x3mm)x1

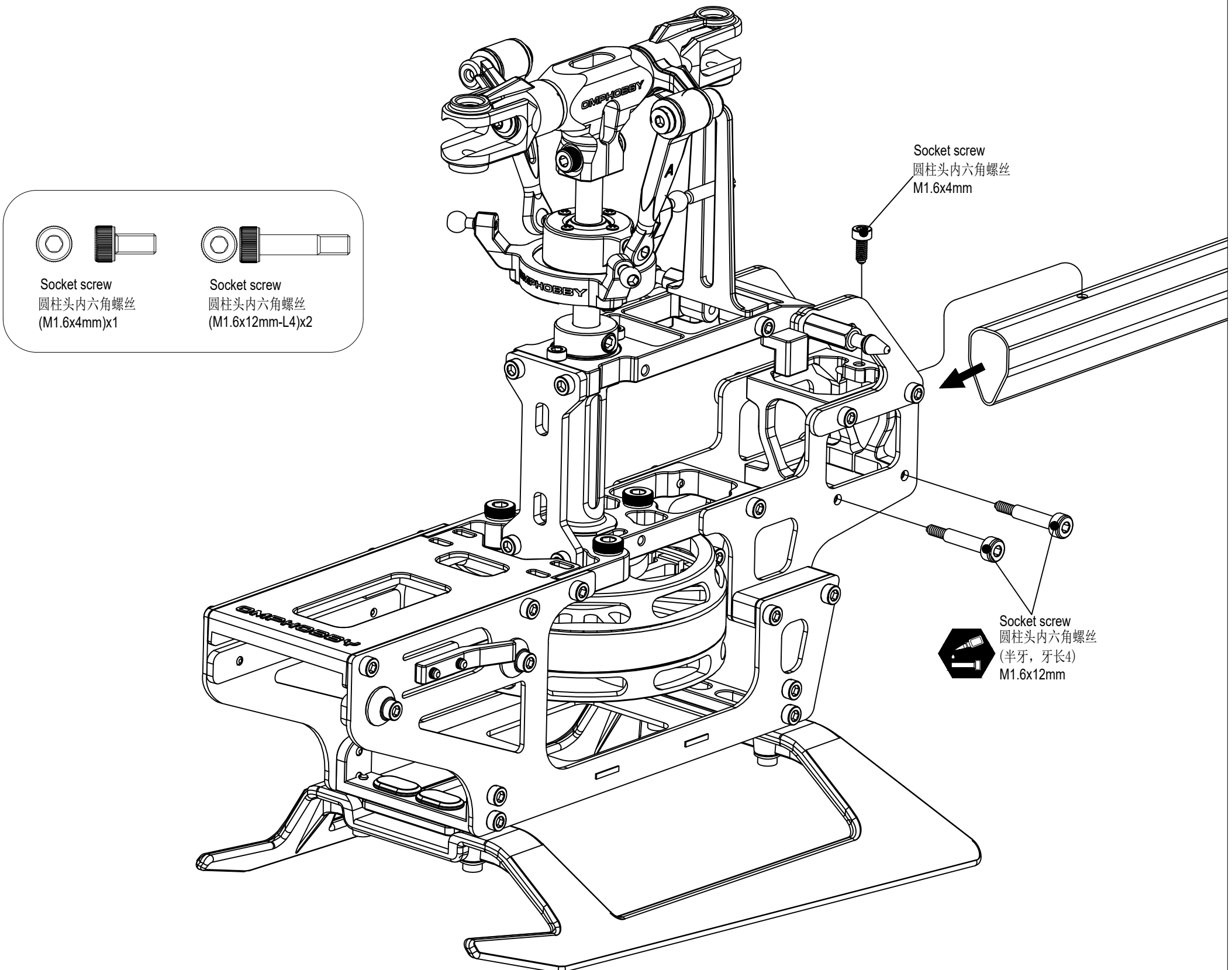
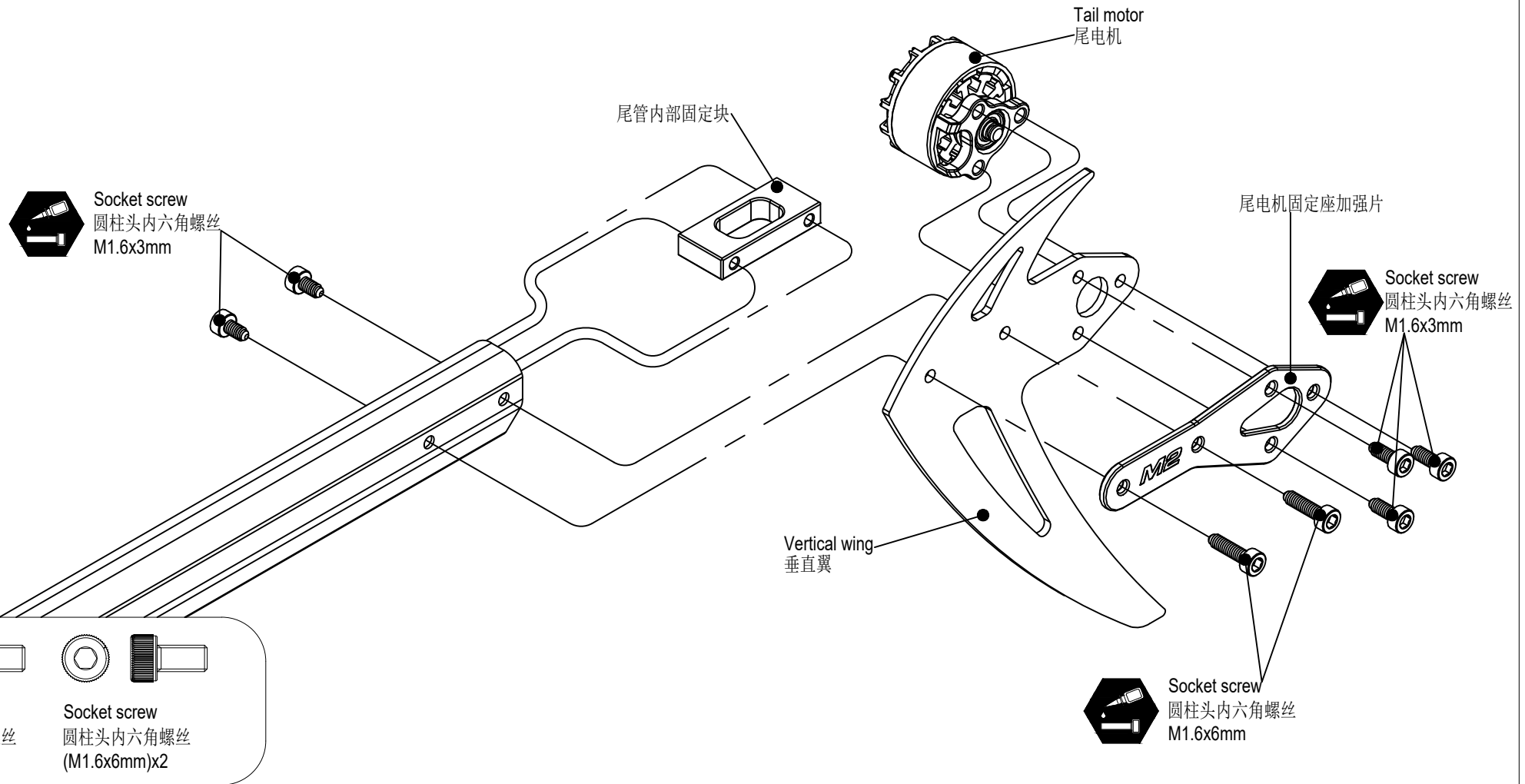








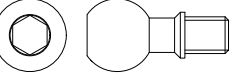







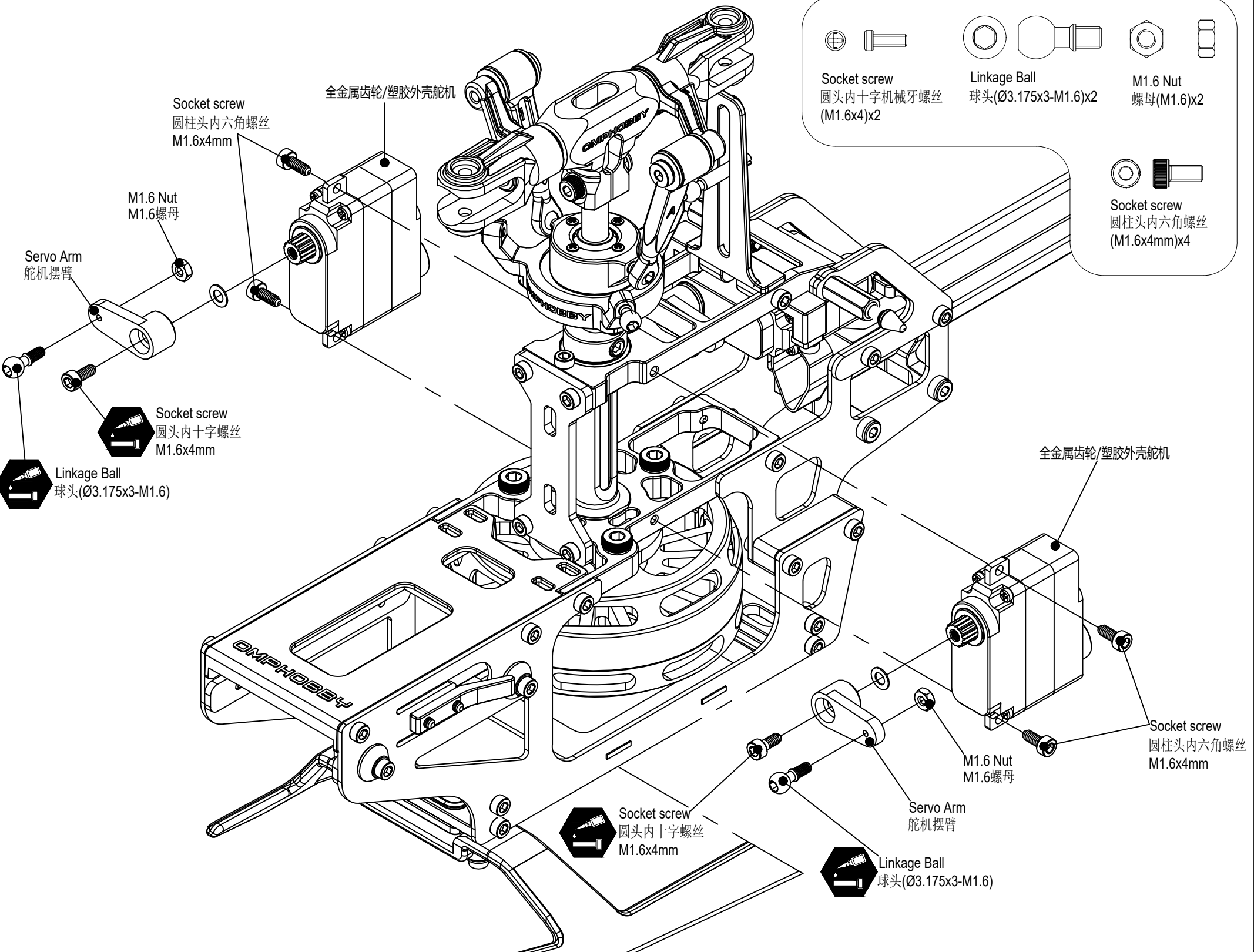
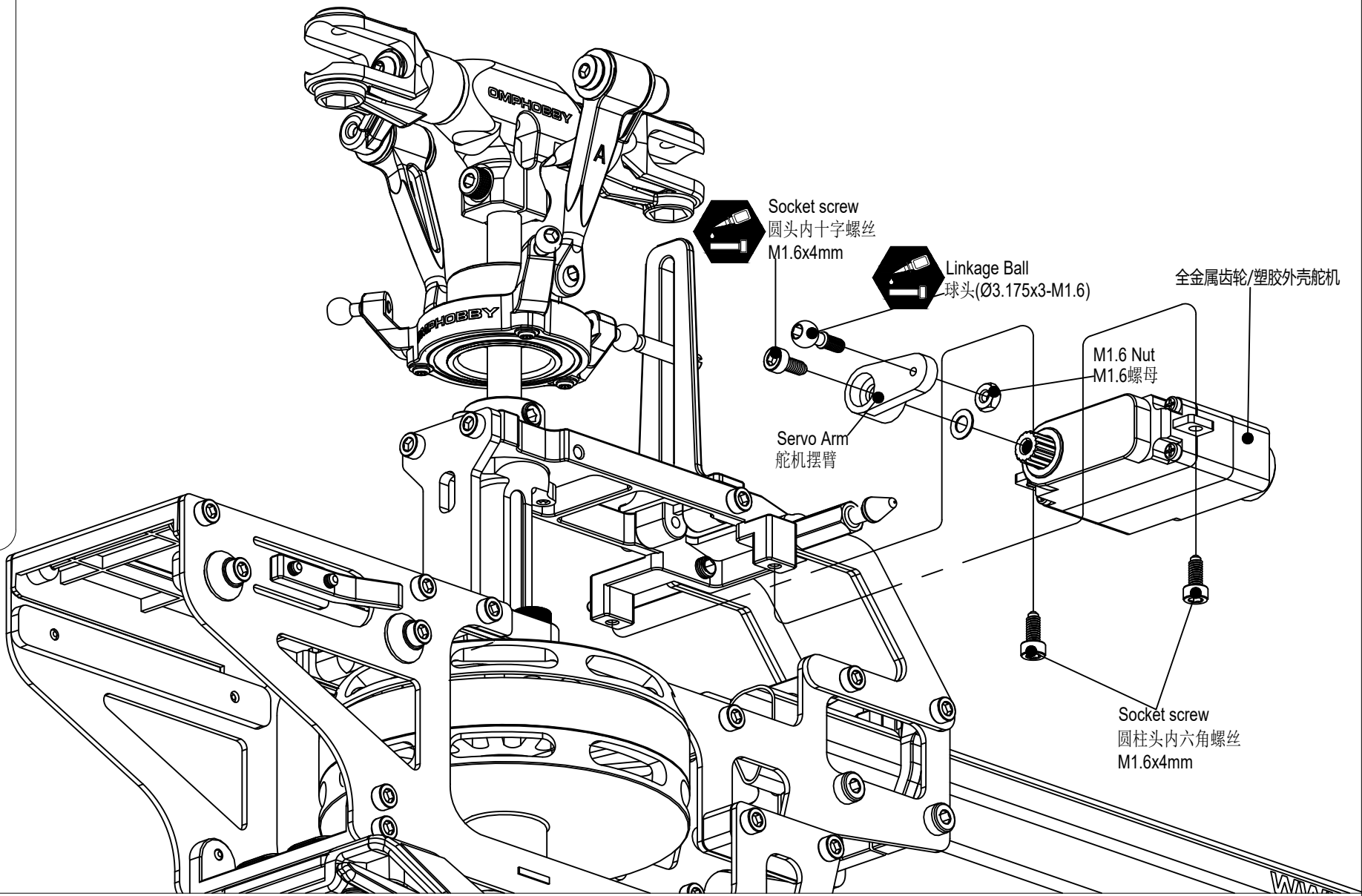
- 

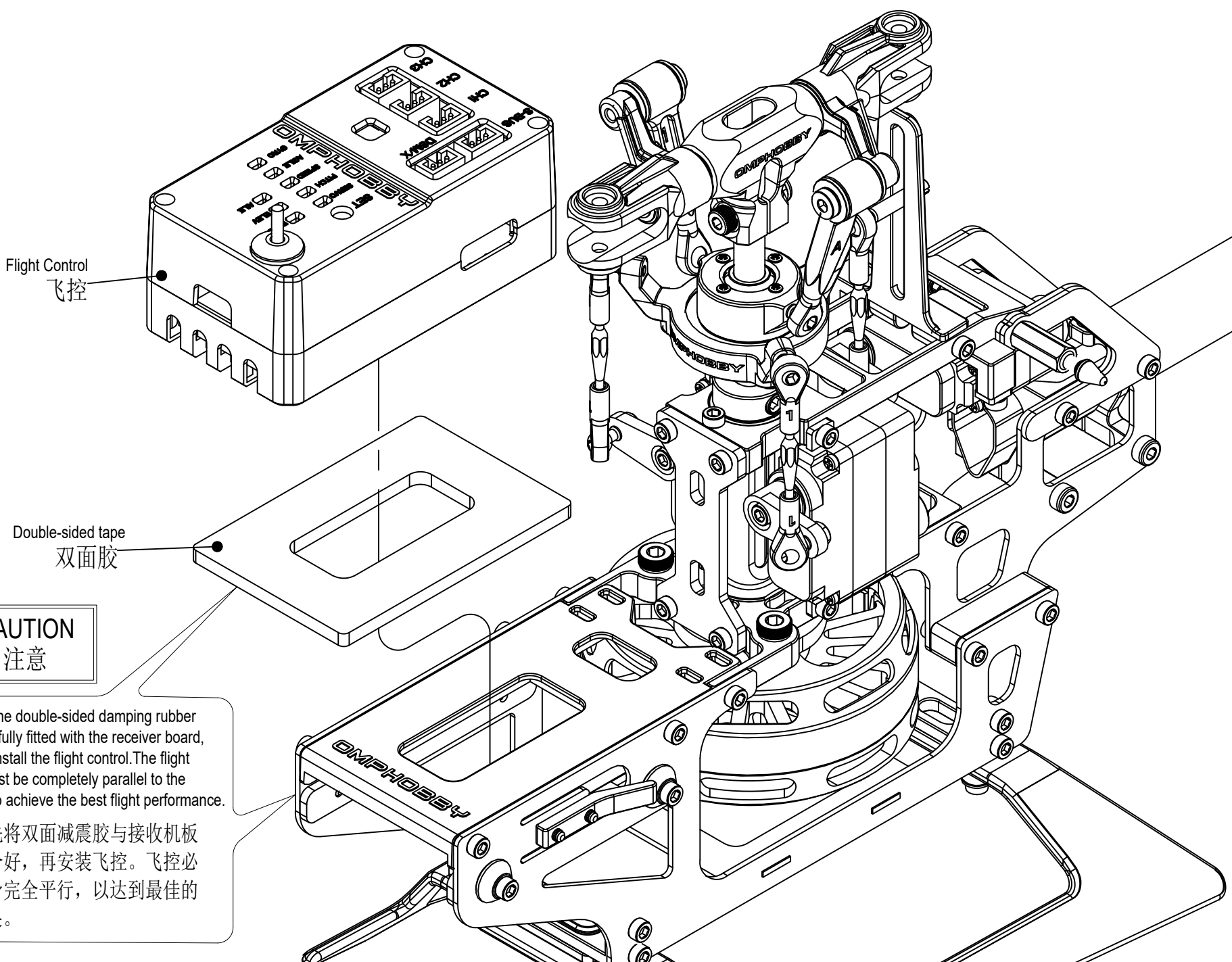
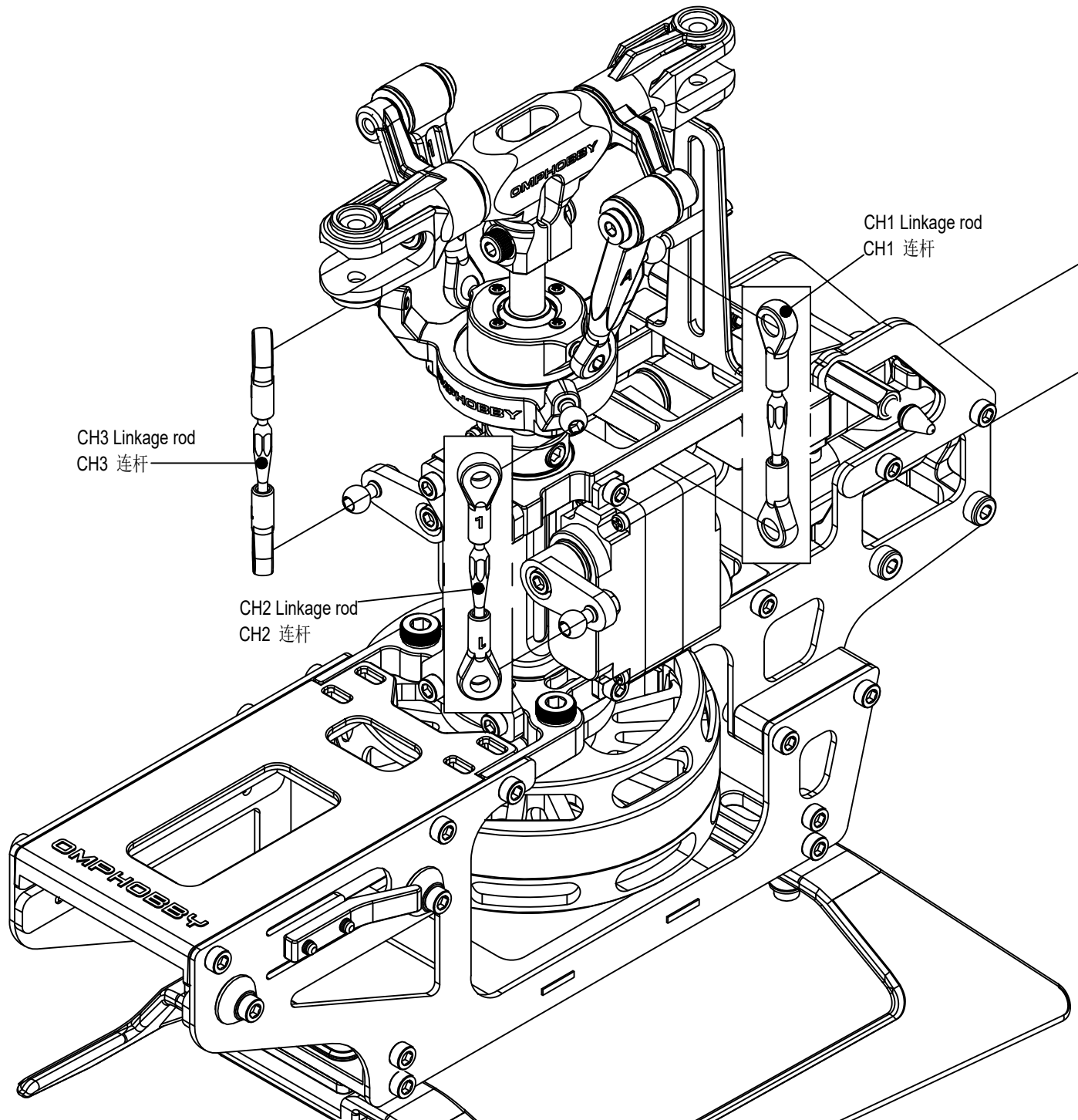
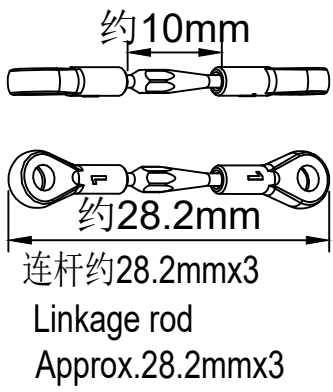
Socket screw  
圆柱头内六角螺丝  
(M1.6x3mm)x2
- 

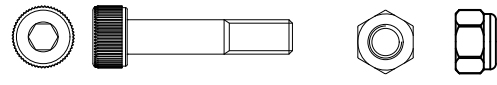
Socket screw  
圆头内十字机械牙螺丝  
(M1.6x4)x1
- 

Linkage Ball  
球头(Ø3.175x3-M1.6)x1
- 

M1.6 Nut  
螺母(M1.6)x1



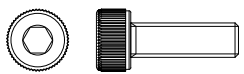
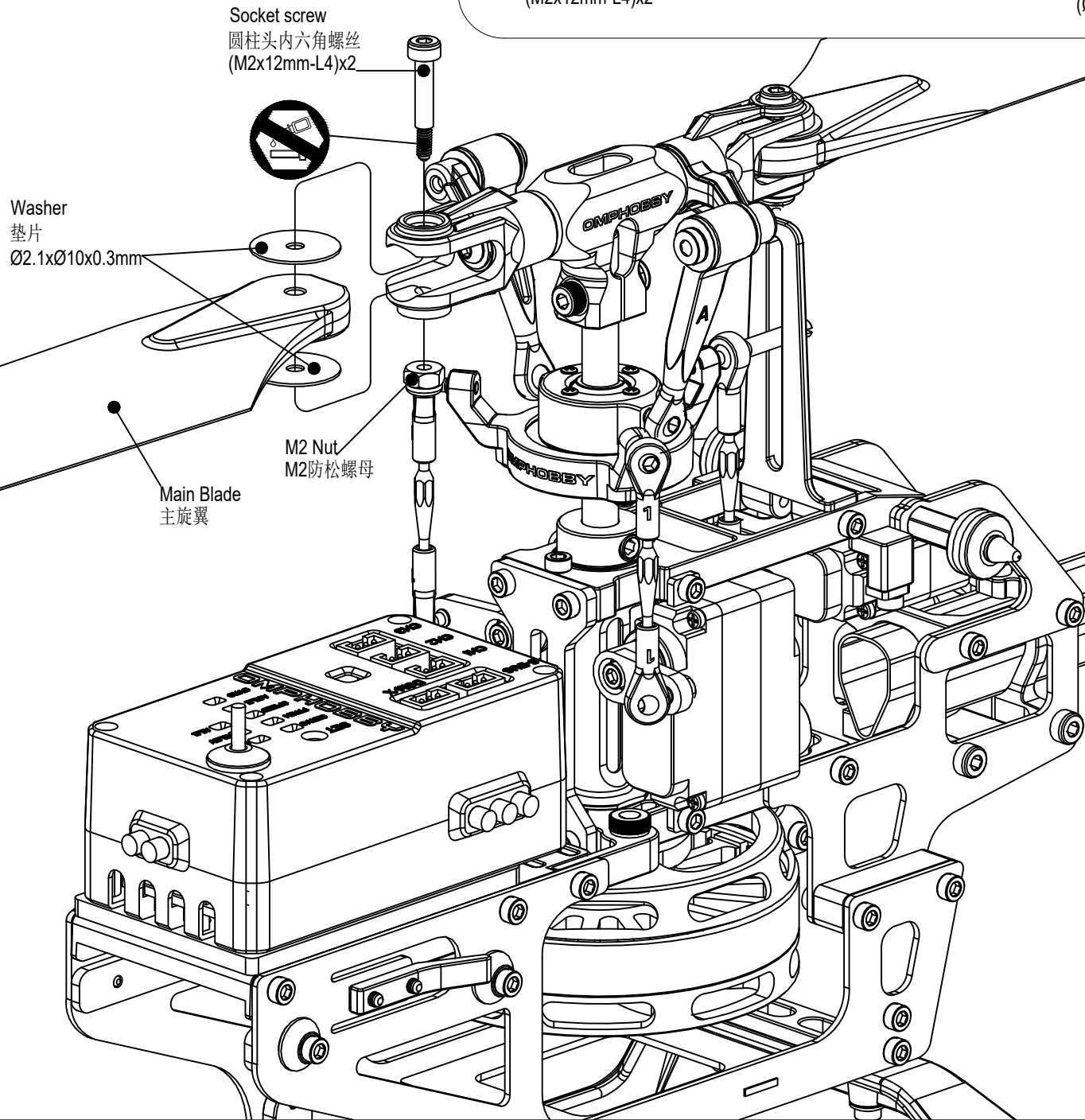




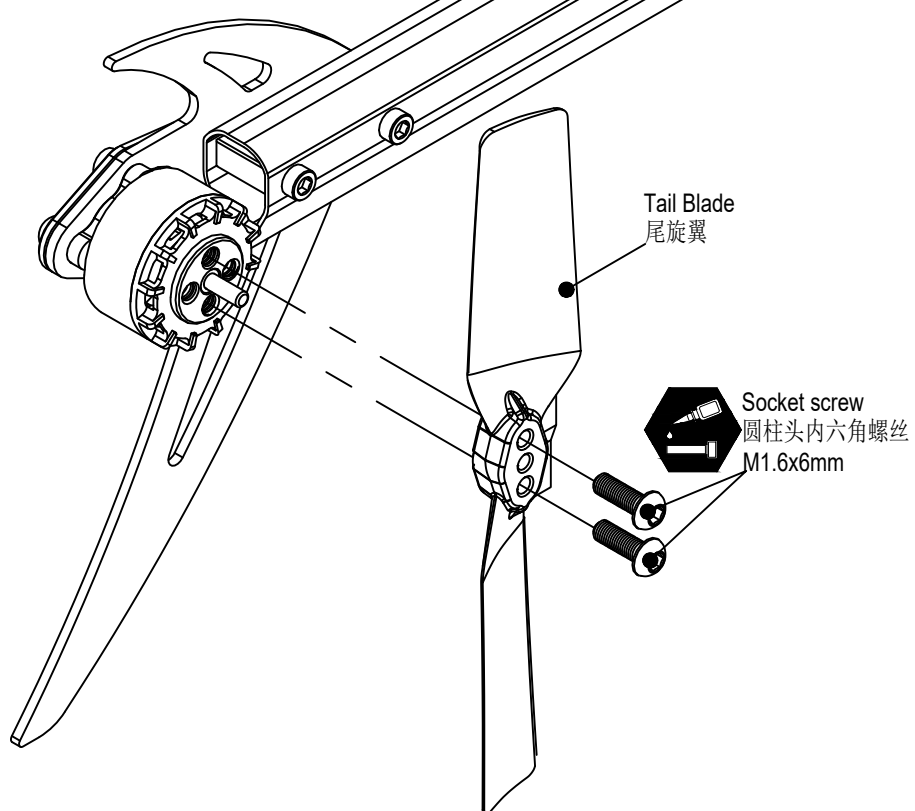
Socket screw  
圆柱头内六角螺丝  
(M2x12mm-L4)x2

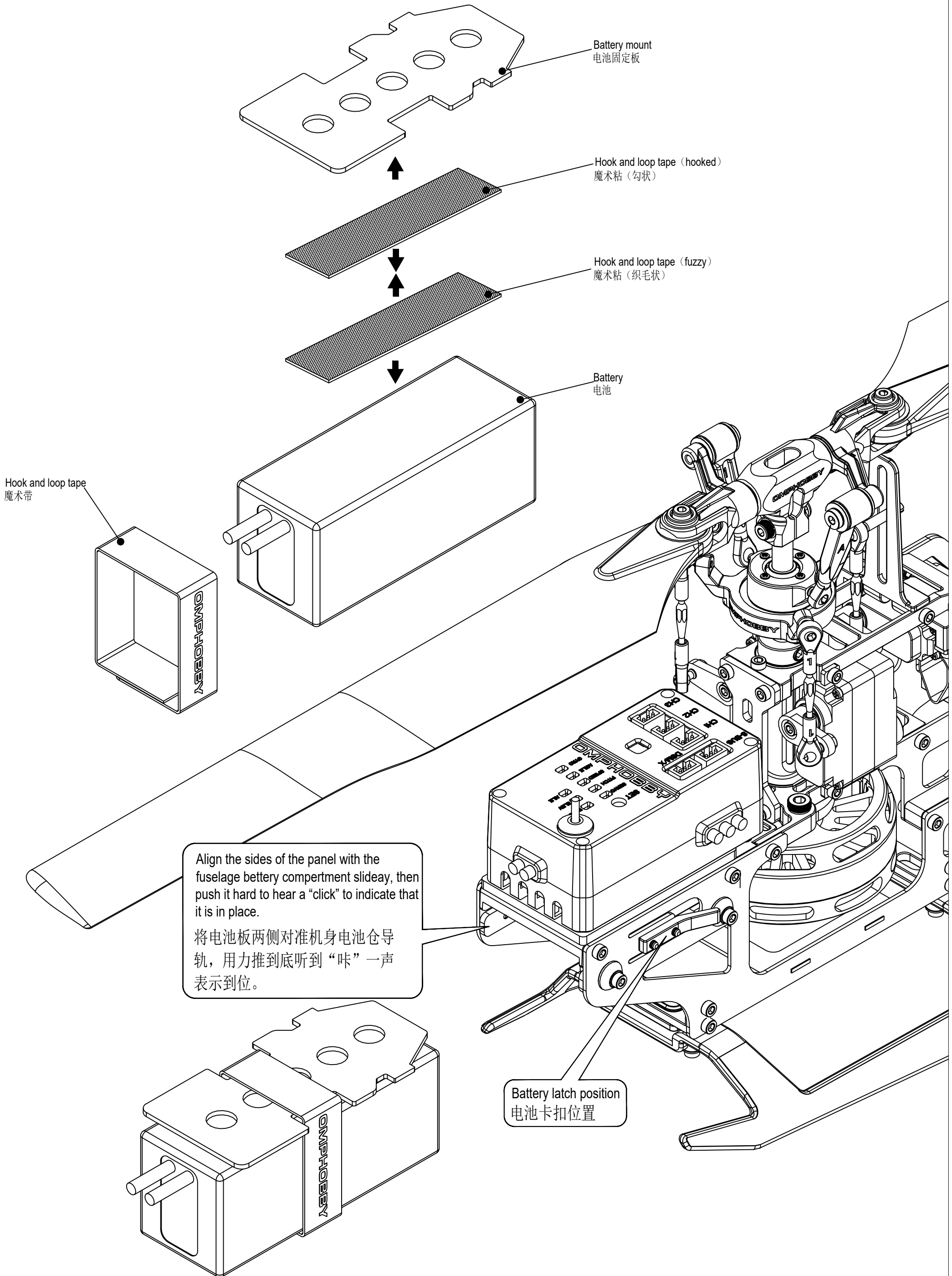
M2 Nut  
M2防松螺母(M2)x2

Washer  
横轴轴承垫片  
(Ø2.1xØ10x0.3mm)x4



Socket screw  
圆柱头内六角螺丝  
(M1.6x6mm)x2





Battery mount  
电池固定板

Hook and loop tape (hooked)  
魔术粘 (勾状)

Hook and loop tape (fuzzy)  
魔术粘 (织毛状)

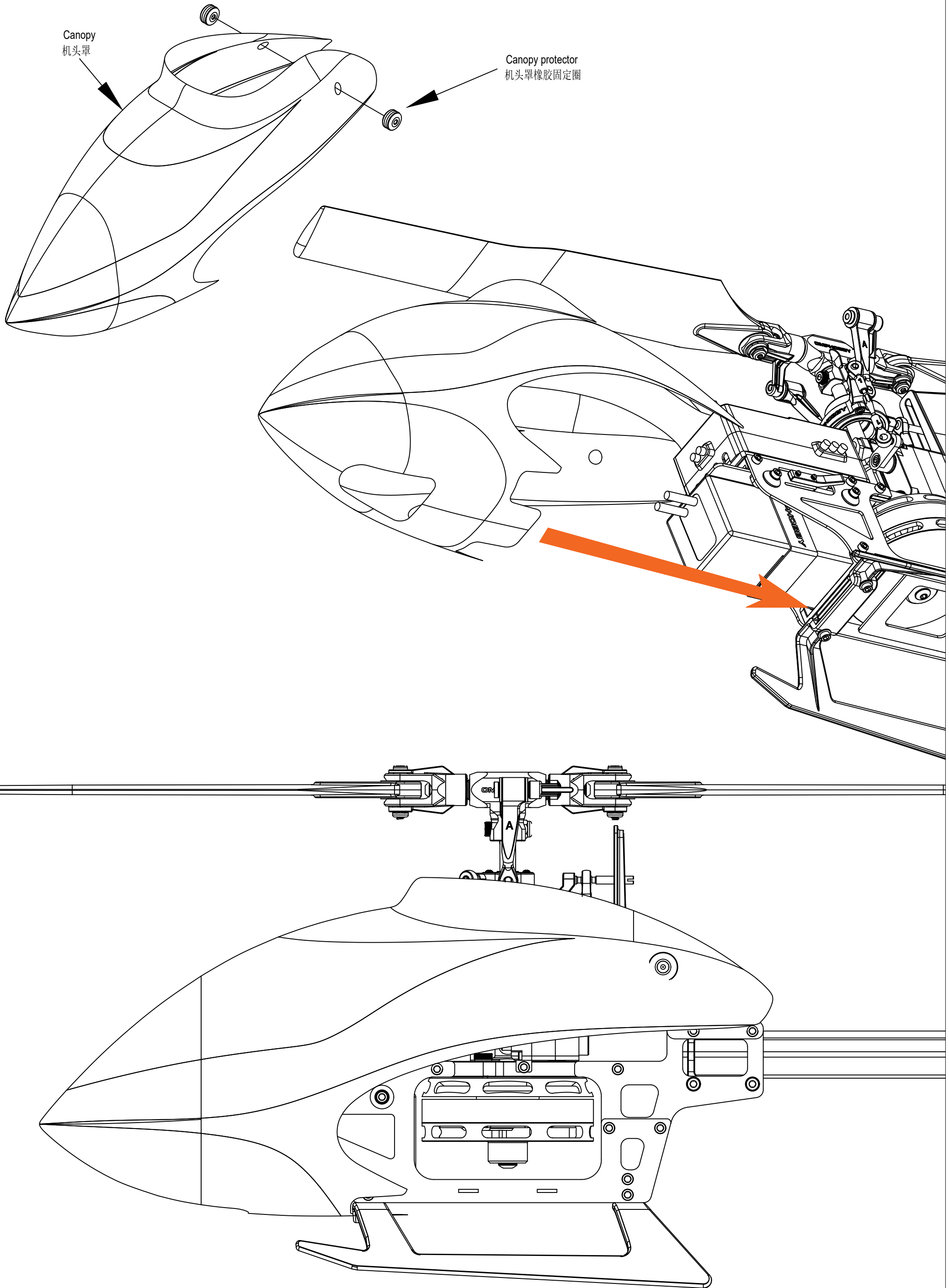
Battery  
电池

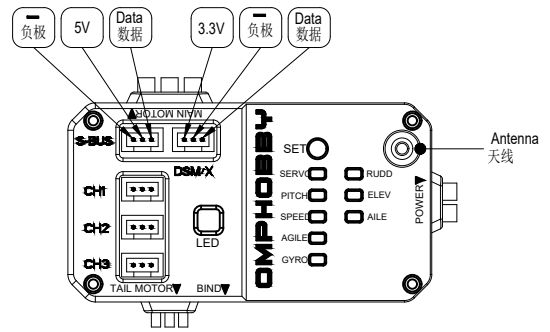
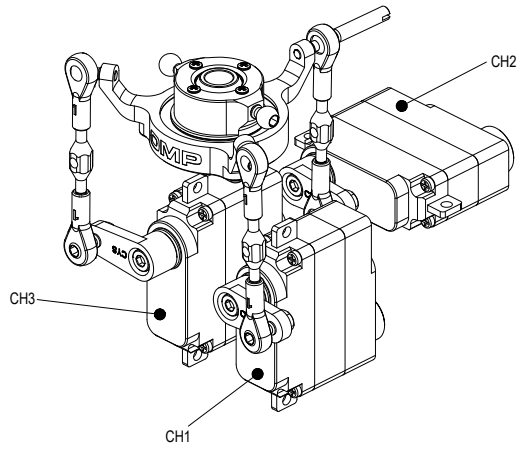
Hook and loop tape  
魔术带

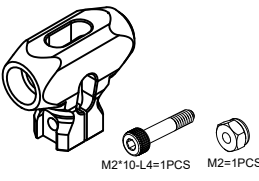
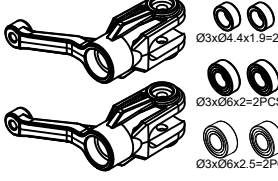

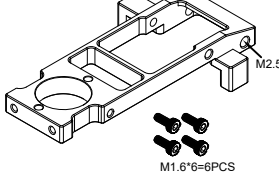
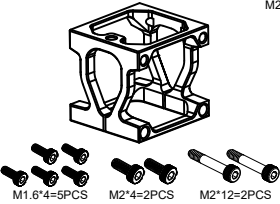
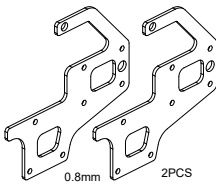
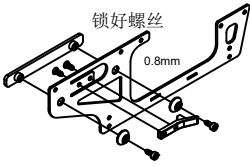
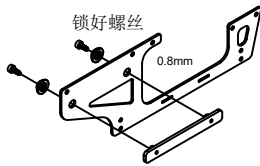
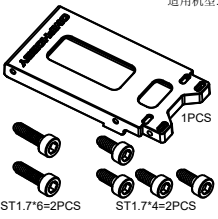
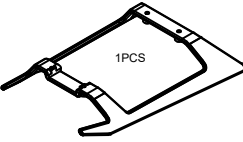
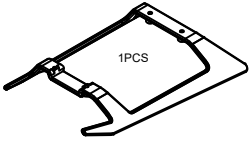
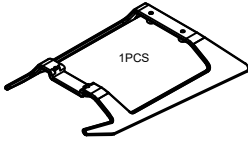
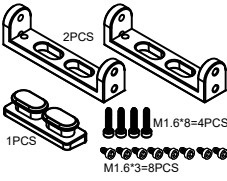

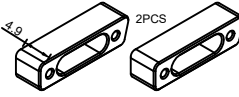
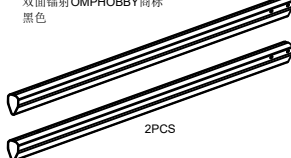
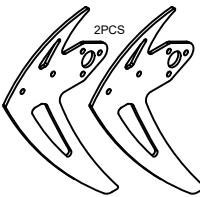
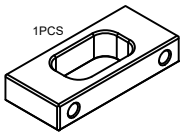
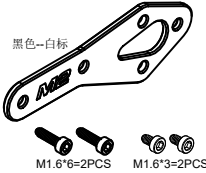
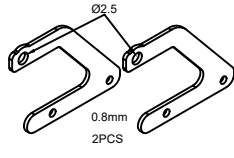
Align the sides of the panel with the fuselage battery compartment slidey, then push it hard to hear a "click" to indicate that it is in place.  
将电池板两侧对准机身电池仓导轨，用力推到底听到“咔”一声表示到位。

Battery latch position  
电池卡扣位置





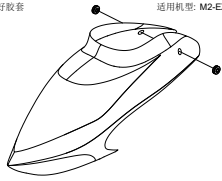
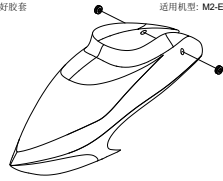
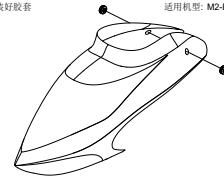
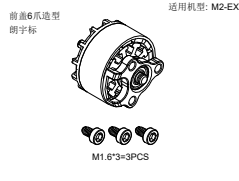


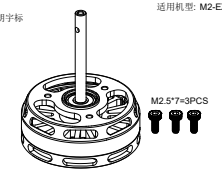
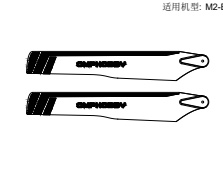
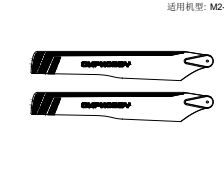
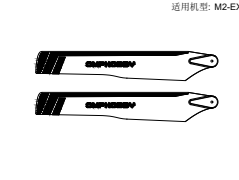
<p>Model: OSHM2081 配件编号: OSHM2081 Product name: Metal Main Rotor Housing set 配件名称: 主夹头组-EXP</p> <p>Package: Hang tag +PE bag 包装方式: 吊卡+PE袋</p> <p>适用机型: M2-EXP</p> 	<p>Model: OSHM2082 配件编号: OSHM2082 Product name: Plastics Main Rotor Holder set 配件名称: 主夹头组-EXP</p> <p>Package: Hang tag +PE bag 包装方式: 吊卡+PE袋</p> <p>适用机型: M2-EXP</p> <p>压好轴承</p> 	<p>Model: OSHM2083 配件编号: OSHM2083 Product name: Product Phase Panel Set 配件名称: 相位座-EXP</p> <p>Package: Hang tag +PE bag 包装方式: 吊卡+PE袋</p> <p>适用机型: M2-EXP</p> 	<p>Model: OSHM2084 配件编号: OSHM2084 Product name: Servo Mount set 配件名称: 舵机底座组</p> <p>Package: Hang tag +PE bag 包装方式: 吊卡+PE袋</p> <p>适用机型: M2-EXP</p> 
<p>Model: OSHM2085 配件编号: OSHM2085 Product name: Tail Boom Mount Set 配件名称: 尾管固定座组</p> <p>Package: Hang tag +PE bag 包装方式: 吊卡+PE袋</p> <p>适用机型: M2-EXP M2-2020</p> 	<p>Model: OSHM2086 配件编号: OSHM2086 Product name: Frame Upper Carbon Fiber Set 配件名称: 机身上碳纤维板组</p> <p>Package: Hang tag +PE bag 包装方式: 吊卡+PE袋</p> <p>适用机型: M2-EXP</p> 	<p>Model: OSHM2087 配件编号: OSHM2087 Product name: Fuselage Lower Left Carbon Fiber Board Set 配件名称: 机身左下碳纤维板组</p> <p>Package: Hang tag +PE bag 包装方式: 吊卡+PE袋</p> <p>适用机型: M2-EXP</p> <p>锁好螺丝</p> 	<p>Model: OSHM2088 配件编号: OSHM2088 Product name: Fuselage Lower Right Carbon Fiber Board Set 配件名称: 机身右下碳纤维板组</p> <p>Package: Hang tag +PE bag 包装方式: 吊卡+PE袋</p> <p>适用机型: M2-EXP</p> <p>锁好螺丝</p> 
<p>Model: OSHM2089 配件编号: OSHM2089 Product name: Flight Control Mounting Panel Set 配件名称: 飞控固定板组</p> <p>Package: Hang tag +PE bag 包装方式: 吊卡+PE袋</p> <p>适用机型: M2-EXP</p> 	<p>Model: OSHM2090 配件编号: OSHM2090 Product name: Landing Skids Set(Orange) 配件名称: 脚架组-橙</p> <p>Package: Hang tag +PE bag 包装方式: 吊卡+PE袋</p> <p>适用机型: M2-EXP M2-2020</p> 	<p>Model: OSHM2091 配件编号: OSHM2091 Product name: Landing Skids Set(Orange) 配件名称: 脚架组-橙</p> <p>Package: Hang tag +PE bag 包装方式: 吊卡+PE袋</p> <p>适用机型: M2-EXP M2-2020</p> 	<p>Model: OSHM2092 配件编号: OSHM2092 Product name: Landing Skids Set(Orange) 配件名称: 脚架组-橙</p> <p>Package: Hang tag +PE bag 包装方式: 吊卡+PE袋</p> <p>适用机型: M2-EXP M2-2020</p> 
<p>Model: OSHM2093 配件编号: OSHM2093 Product name: Landing Skids Mounts Set 配件名称: 脚架固定座组</p> <p>Package: Hang tag +PE bag 包装方式: 吊卡+PE袋</p> <p>适用机型: M2-EXP M2-2020</p> 	<p>Model: OSHM2094 配件编号: OSHM2094 Product name: Frame Front Reinforcement Plate Set 配件名称: 舵机组-EXP</p> <p>Package: Hang tag +PE bag 包装方式: 吊卡+PE袋</p> <p>适用机型: M2-EXP</p> <p>全金属齿轮, 塑胶外壳</p> 	<p>Model: OSHM2095 配件编号: OSHM2095 Product name: Frame Widening Mount Set 配件名称: 机身加宽座组</p> <p>Package: Hang tag +PE bag 包装方式: 吊卡+PE袋</p> <p>适用机型: M2-EXP</p> 	<p>Model: OSHM2096 配件编号: OSHM2096 Product name: Tail Boom Set 配件名称: 尾管组-EXP</p> <p>Package: Hang tag +PE bag 包装方式: 吊卡+PE袋</p> <p>适用机型: M2-EXP M2-2020</p> <p>双面辐射OMPHOBBY商标 黑色</p> 
<p>Model: OSHM2097 配件编号: OSHM2097 Product name: Vertical Rotor Set(Orange) 配件名称: 垂直翼组-EXP</p> <p>Package: Hang tag +PE bag 包装方式: 吊卡+PE袋</p> <p>适用机型: M2-EXP M2-2020</p> 	<p>Model: OSHM2098 配件编号: OSHM2098 Product name: Tail Boom Inside Mount Set 配件名称: 尾管内固定座组</p> <p>Package: Hang tag +PE bag 包装方式: 吊卡+PE袋</p> <p>适用机型: M2-EXP</p> 	<p>Model: OSHM2099 配件编号: OSHM2099 Product name: Tail motor reinforced plate group 配件名称: 尾电机加强板组</p> <p>Package: Hang tag +PE bag 包装方式: 吊卡+PE袋</p> <p>适用机型: M2-EXP</p> <p>黑色-白标</p> 	<p>Model: OSHM2100 配件编号: OSHM2100 Product name: Frame Rear Reinforcement Plate Set 配件名称: 机身后加强板组</p> <p>Package: Hang tag +PE bag 包装方式: 吊卡+PE袋</p> <p>适用机型: M2-EXP</p> 

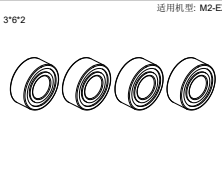
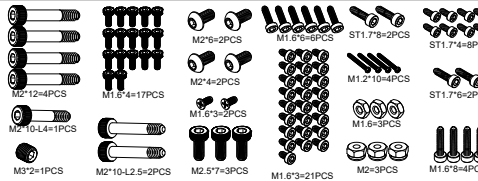
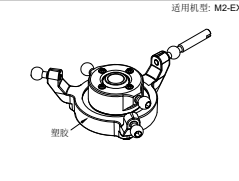
# 第20页

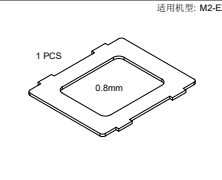
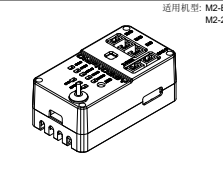
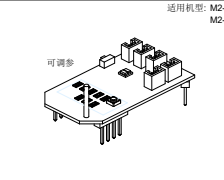
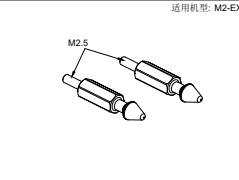
## Spare parts picture-2 配件-2

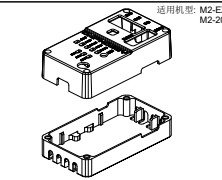
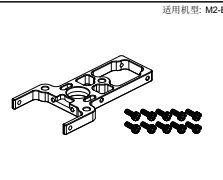
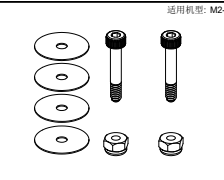
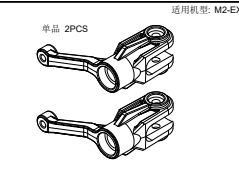
**ME-EXPLORE**


<p>Model: OSHM2101 Package: Hang tag +PE bag                  配件编号: OSHM2101 包装方式: 吊卡+PE袋                  Product name: Tail Screw Set(Green)                  配件名称: 机头罩-绿色</p> <p>适用机型: M2-EXP</p> 	<p>Model: OSHM2102 Package: Hang tag +PE bag                  配件编号: OSHM2102 包装方式: 吊卡+PE袋                  Product name: Canopy Set(Yellow)                  配件名称: 机头罩-黄色</p> <p>适用机型: M2-EXP</p> 	<p>Model: OSHM2103 Package: Hang tag +PE bag                  配件编号: OSHM2103 包装方式: 吊卡+PE袋                  Product name: Canopy Set(Charm Orange)                  配件名称: 机头罩-橙色</p> <p>适用机型: M2-EXP</p> 	<p>Model: OSHM2104 Package: Hang tag +PE bag                  配件编号: OSHM2104 包装方式: 吊卡+PE袋                  Product name: Tail Motor Set(Orange)                  配件名称: 尾电机组(橙色)</p> <p>适用机型: M2-EXP</p> 
--	---	--	---

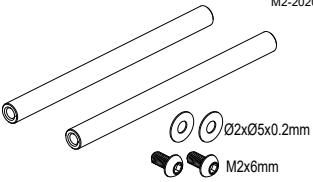
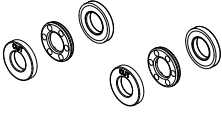
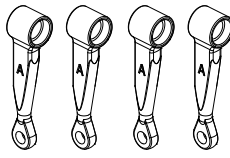

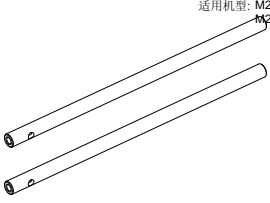
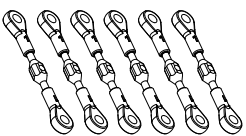
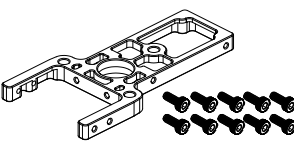
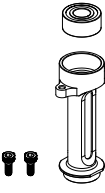
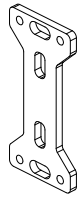
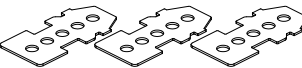
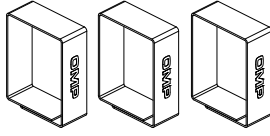
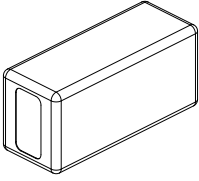
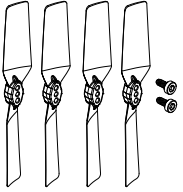
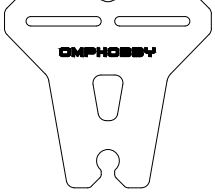
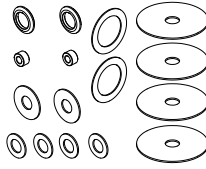
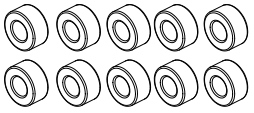

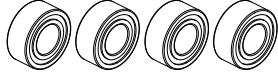


<p>Model: OSHM2105 Package: Hang tag +PE bag                  配件编号: OSHM2105 包装方式: 吊卡+PE袋                  Product name: Main Motor Set(Miami Blue)                  配件名称: 主电机组(蓝色)</p> <p>适用机型: M2-EXP</p> 	<p>Model: OSHM2106 Package: Hang tag +PE bag                  配件编号: OSHM2106 包装方式: 吊卡+PE袋                  Product name: 175mm Main Blades(Green)                  配件名称: 175主旋翼组(绿色)</p> <p>适用机型: M2-EXP</p> 	<p>Model: OSHM2107 Package: Hang tag +PE bag                  配件编号: OSHM2107 包装方式: 吊卡+PE袋                  Product name: 175mm Main Blades(Orange)                  配件名称: 175主旋翼组(橙色)</p> <p>适用机型: M2-EXP</p> 	<p>Model: OSHM2108 Package: Hang tag +PE bag                  配件编号: OSHM2108 包装方式: 吊卡+PE袋                  Product name: 175mm Main Blades(Yellow)                  配件名称: 175主旋翼组(黄)</p> <p>适用机型: M2-EXP</p> 
---	--	--	--

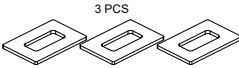

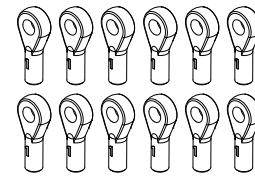
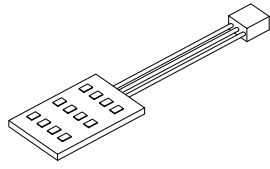
<p>Model: OSHM2109 Package: Hang tag +PE bag                  配件编号: OSHM2109 包装方式: 吊卡+PE袋                  Product name: Ball Bearing Group (MR63)                  配件名称: 滚珠轴承</p> <p>适用机型: M2-EXP</p> 	<p>Model: OSHM2110 Package: Hang tag +PE bag                  配件编号: OSHP2110 包装方式: 吊卡+PE袋                  Product name: Screw Kit Set                  配件名称: 螺丝包组-EXP</p> <p>适用机型: M2-EXP</p> 			<p>Model: OSHM2111 Package: Hang tag +PE bag                  配件编号: OSHM2111 包装方式: 吊卡+PE袋                  Product name: Swash plate set -EXP                  配件名称: 横斜盘组-EXP</p> <p>适用机型: M2-EXP</p> 
---	--	--	--	--

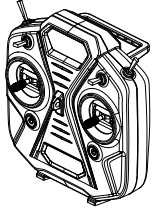
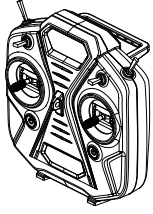
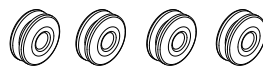
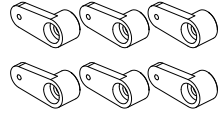
<p>Model: OSHM2112 Package: Hang tag +PE bag                  配件编号: OSHM2112 包装方式: 吊卡+PE袋                  Product name: Fuselage Baseplate Set                  配件名称: 机身板组</p> <p>适用机型: M2-EXP</p> 	<p>Model: OSHM2113 Package: Hang tag +PE bag                  配件编号: OSHM2113 包装方式: 吊卡+PE袋                  Product name: Flight control                  配件名称: 飞控</p> <p>适用机型: M2-EXP M2-2020</p> 	<p>Model: OSHM2114 Package: Hang tag +PE bag                  配件编号: OSHM2114 包装方式: 吊卡+PE袋                  Product name: Control receiver                  配件名称: 接收板组</p> <p>适用机型: M2-EXP M2-2020</p> 	<p>Model: OSHM2115 Package: Hang tag +PE bag                  配件编号: OSHM2115 包装方式: 吊卡+PE袋                  Product name: Canopy Fixed Bolt Set-EXP                  配件名称: 机头罩固定柱组-EXP</p> <p>适用机型: M2-EXP</p> 
---	---	--	---

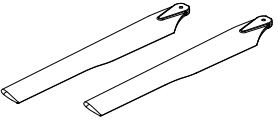
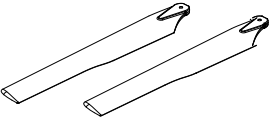
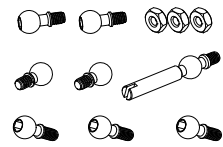
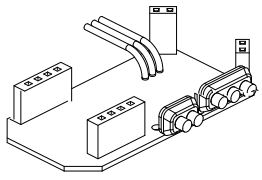
<p>Model: OSHM2116 Package: Hang tag +PE bag                  配件编号: OSHM2116 包装方式: 吊卡+PE袋                  Product name: Flight Control Housing Set                  配件名称: 飞控外壳组</p> <p>适用机型: M2-EXP M2-2020</p> 	<p>Model: OSHM2117 Package: Hang tag +PE bag                  配件编号: OSHM2117 包装方式: 吊卡+PE袋                  Product name: Main Motor Mount Set                  配件名称: 主电机固定螺组</p> <p>适用机型: M2-EXP</p> 	<p>Model: OSHM2129 Package: Hang tag +PE bag                  配件编号: OSHM2129 包装方式: 吊卡+PE袋                  Product name: Main Rotor Holder Screw group -EXP                  配件名称: 主旋翼螺组-EXP</p> <p>适用机型: M2-EXP</p> 	<p>Model: OSHM2129 Package: Hang tag +PE bag                  配件编号: OSHM2129 包装方式: 吊卡+PE袋                  Product name: Main Rotor Holder -EXP                  配件名称: 塑胶主旋翼-EXP</p> <p>适用机型: M2-EXP</p> 
--	--	---	--

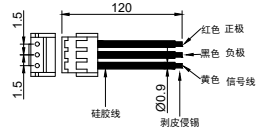
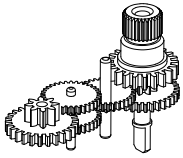
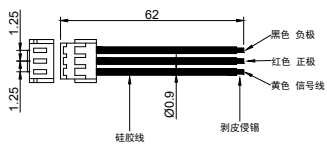
<p>Model: OSHM2130 Package: Hang tag +PE bag                  配件编号: OSHM2130 包装方式: 吊卡+PE袋                  Product name: Plastic Swash plate outer disc-EXP                  配件名称: 塑胶横斜盘外盘-EXP</p> <p>适用机型: M2-EXP</p> 
--

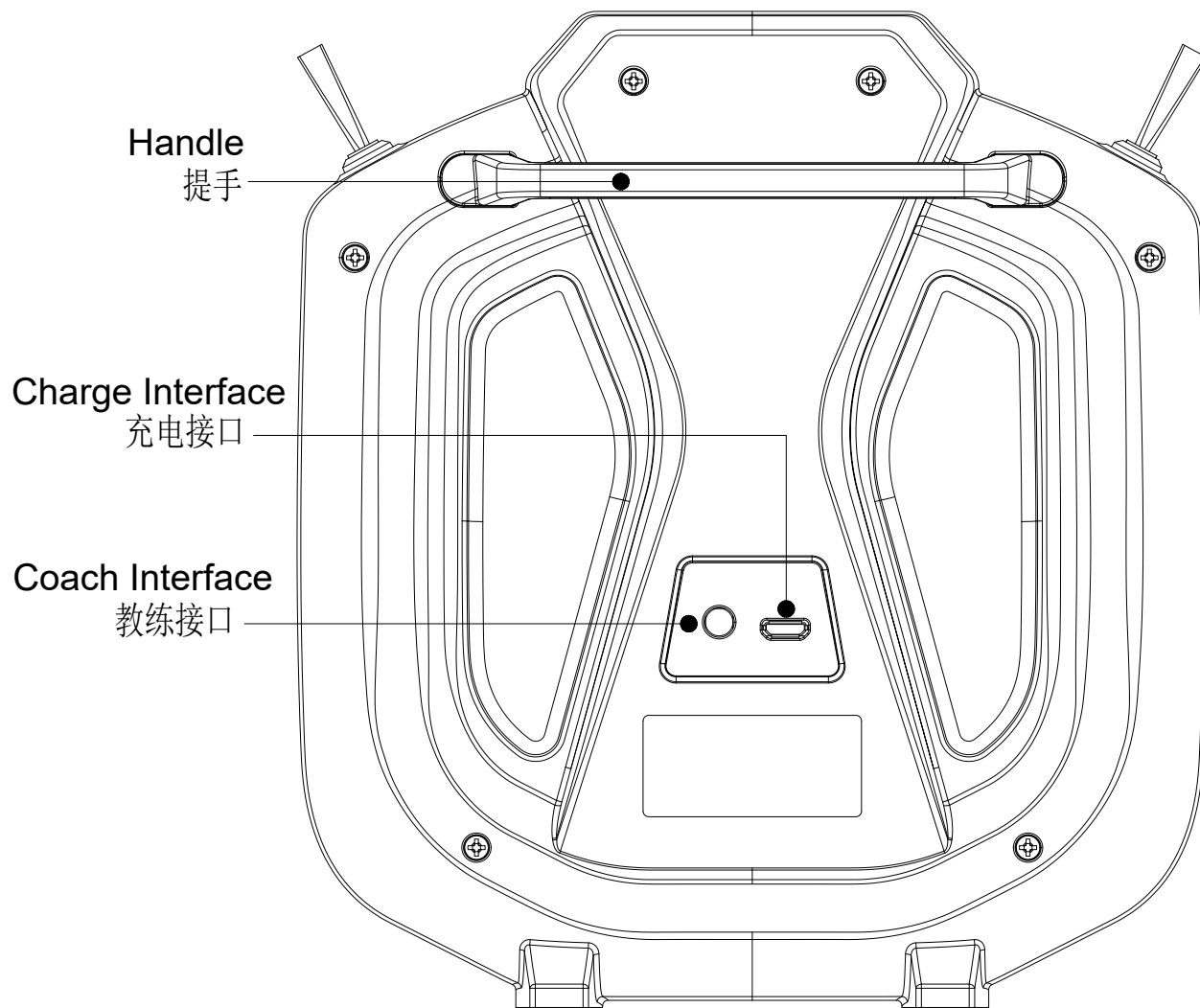
<p>Model: OSHM2002 配件编号: OSHM2002 Package: Hang tag +PE bag 包装方式: 吊卡+PE袋 Product name: Feathering shaft set 配件名称: 横轴组</p> <p>适用机型: M2-EXP M2-2020</p> 	<p>Model: OSHM2005 配件编号: OSHM2005 Package: Hang tag +PE bag 包装方式: 吊卡+PE袋 Product name: Thrust Bearing 配件名称: 平面推力轴承组</p> <p>适用机型: M2-EXP M2-2020</p> 	<p>Model: OSHM2008 配件编号: OSHM2008 Package: Hang tag +PE bag 包装方式: 吊卡+PE袋 Product name: FBL Pros and Cons linkage rod 配件名称: 主螺旋控制臂组</p> <p>适用机型: M2-EXP M2-2020</p> 	<p>Model: OSHM2010 配件编号: OSHM2010 Package: Hang tag +PE bag 包装方式: 吊卡+PE袋 Product name: Metal Main Rotor Housing set 配件名称: 主轴固定环组</p> <p>适用机型: M2-EXP M2-2020</p> 
<p>Model: OSHM2011 配件编号: OSHM2011 Package: Hang tag +PE bag 包装方式: 吊卡+PE袋 Product name: Ø4 main Shaft Set 配件名称: 主轴组</p> <p>适用机型: M2-EXP M2-2020</p> 	<p>Model: OSHM2014 配件编号: OSHM2014 Package: Hang tag +PE bag 包装方式: 吊卡+PE袋 Product name: Servo Linkage Rod Set 配件名称: 舵机连杆组</p> <p>连杆与拉杆头组装好</p> <p>适用机型: M2-EXP M2-2020</p> 	<p>Model: OSHM2016 配件编号: OSHM2016 Package: Hang tag +PE bag 包装方式: 吊卡+PE袋 Product name: Main Motor Mount Set 配件名称: 主电机固定座组</p> <p>适用机型: M2-EXP M2-2020</p> 	<p>Model: OSHM2017 配件编号: OSHM2017 Package: Hang tag +PE bag 包装方式: 吊卡+PE袋 Product name: Concentricity Retention Column Set 配件名称: 同心度保持架组</p> <p>压好轴承</p> <p>适用机型: M2-EXP M2-2020</p> 
<p>Model: OSHM2023 配件编号: OSHM2023 Package: Hang tag +PE bag 包装方式: 吊卡+PE袋 Product name: Fuselage Middle Reinforcement Plate Set 配件名称: 机身中加强板组</p> <p>适用机型: M2-EXP M2-2020</p> 	<p>Model: OSHM2028 配件编号: OSHM2028 Package: Hang tag +PE bag 包装方式: 吊卡+PE袋 Product name: Battery Panel Set 配件名称: 电池板组</p> <p>适用机型: M2-EXP M2-2020</p> 	<p>Model: OSHM2029 配件编号: OSHM2029 Package: Hang tag +PE bag 包装方式: 吊卡+PE袋 Product name: Battery Strap Set 配件名称: 电池绑带组</p> <p>适用机型: M2-EXP M2-2020</p> 	<p>Model: OSHM2030 配件编号: OSHM2030 Package: Hang tag +PE bag 包装方式: 吊卡+PE袋 Product name: Lithium Battery Set 配件名称: 锂电池组</p> <p>适用机型: M2-EXP M2-2020</p> 
<p>Model: OSHM2038 配件编号: OSHM2038 Package: Hang tag +PE bag 包装方式: 吊卡+PE袋 Product name: Tail Screw Set(black) 配件名称: 尾螺旋桨组-黑色</p> <p>适用机型: M2-EXP M2-2020</p> 	<p>Model: OSHM2042 配件编号: OSHM2042 Package: Hang tag +PE bag 包装方式: 吊卡+PE袋 Product name: Main Rotor Support Frame Set 配件名称: 主翼支撑架组</p> <p>适用机型: M2-EXP M2-2020</p> 	<p>Model: OSHM2044 配件编号: OSHM2044 Package: Hang tag +PE bag 包装方式: 吊卡+PE袋 Product name: Shim Group 配件名称: 垫片包组</p> <p>适用机型: M2-EXP M2-2020</p> 	<p>Model: OSHM2045 配件编号: OSHM2045 Package: Hang tag +PE bag 包装方式: 吊卡+PE袋 Product name: Gross Shaft Suspension Set 配件名称: 横轴避震套组</p> <p>适用机型: M2-EXP M2-2020</p> 
<p>Model: OSHM2047 配件编号: OSHM2047 Package: Hang tag +PE bag 包装方式: 吊卡+PE袋 Product name: Flanged Bearing Set(MF52ZZ) 配件名称: 凸缘轴承组(MF52ZZ)</p> <p>适用机型: M2-EXP M2-2020</p> 	<p>Model: OSHM2048 配件编号: OSHM2048 Package: Hang tag +PE bag 包装方式: 吊卡+PE袋 Product name: Ball Bearing Group (MR63ZZ) 配件名称: 滚珠轴承组 (MR63ZZ)</p> <p>适用机型: M2-EXP M2-2020</p> 	<p>Model: OSHM2049 配件编号: OSHM2049 Package: Hang tag +PE bag 包装方式: 吊卡+PE袋 Product name: Ball Bearing Group (684ZZ) 配件名称: 滚珠轴承组 (684ZZ)</p> <p>适用机型: M2-EXP M2-2020</p> 	<p>Model: OSHM2050 配件编号: OSHM2050 Package: Hang tag +PE bag 包装方式: 吊卡+PE袋 Product name: Ball Bearing Group (6701ZZ) 配件名称: 滚珠轴承组 (6701ZZ)</p> <p>适用机型: M2-EXP M2-2020</p> 

<p>Model: OSHM2052                  配件编号: OSHM2052                  Product name: Flight Control Damping Shing Set                  配件名称: 飞控减震贴片组</p> <p>Package: Hang tag +PE bag                  包装方式: 吊卡+PE袋</p> <p>适用机型: M2-EXP                  M2-2020</p> <p>3 PCS</p> 	<p>Model: OSHM2053                  配件编号: OSHM2053                  Product name: Battery Magic Tape Set                  配件名称: 电池魔术贴组</p> <p>Package: Hang tag +PE bag                  包装方式: 吊卡+PE袋</p> <p>适用机型: M2-EXP                  M2-2020</p> <p>3公3母</p> 	<p>Model: OSHM2054                  配件编号: OSHM2054                  Product name: Pull Rod Head Set                  配件名称: 拉杆头组</p> <p>Package: Hang tag +PE bag                  包装方式: 吊卡+PE袋</p> <p>适用机型: M2-EXP                  M2-2020</p> 	<p>Model: OSHM2055                  配件编号: OSHM2055                  Product name: Futaba Satellite Receiver                  配件名称: futaba 卫星接收机</p> <p>Package: Hang tag +PE bag                  包装方式: 吊卡+PE袋</p> <p>适用机型: M2-EXP                  M2-2020</p> <p>线材长度60mm</p> 
--	--	--	---

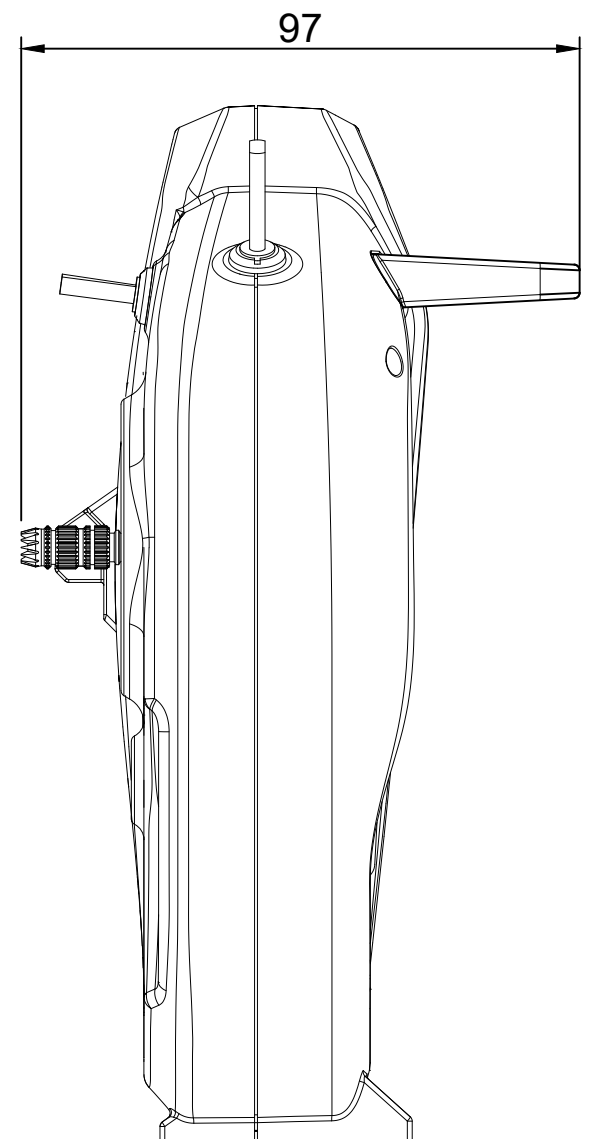
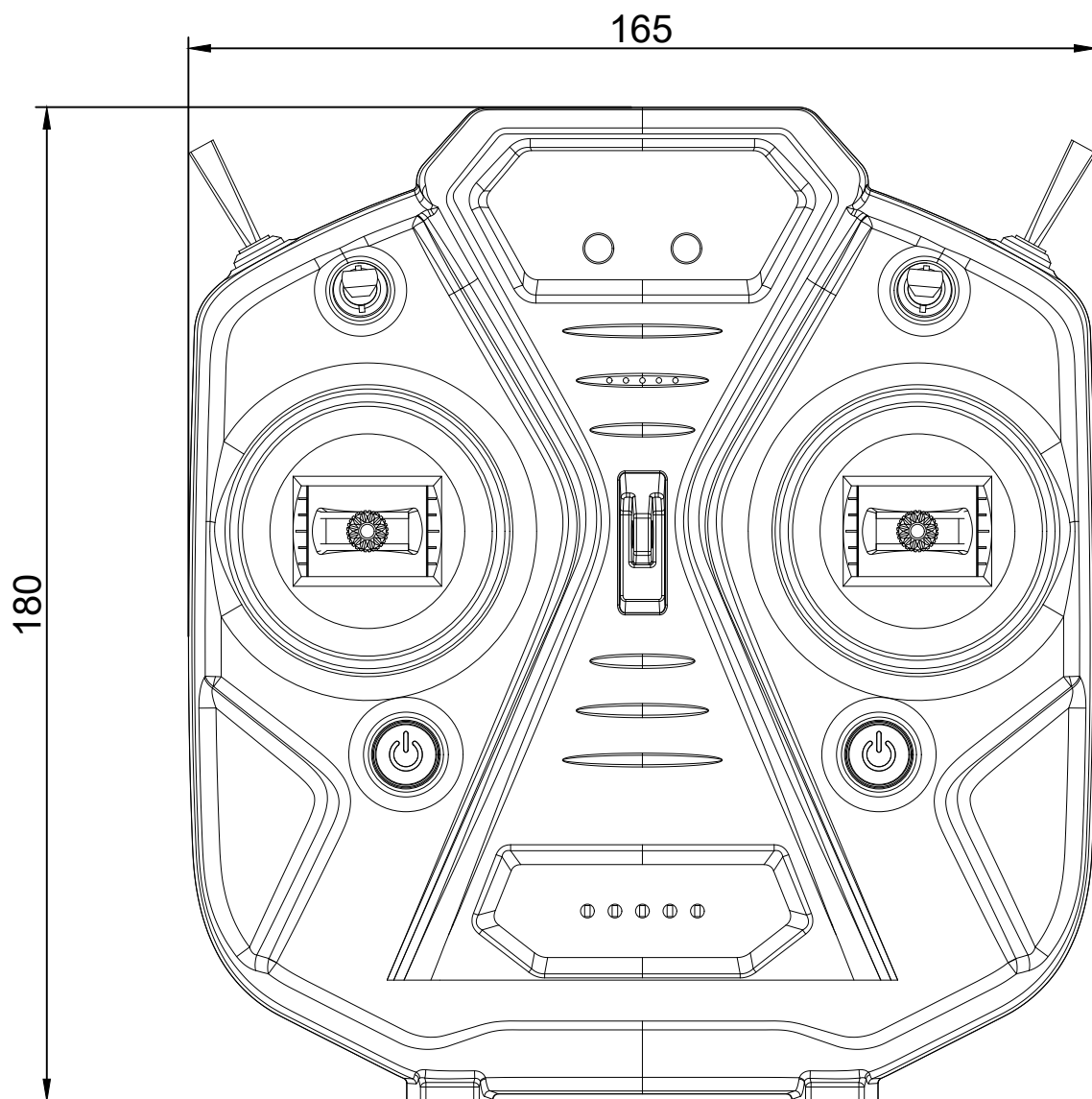
<p>Model: OSHM2056                  配件编号: OSHM2056                  Product name: OMP HOBBY T6 Remote(MODE 1)                  配件名称: OMP T6遥控器(MODE 1)</p> <p>Package: Hang tag +PE bag                  包装方式: 吊卡+PE袋</p> <p>适用机型: M2-EXP                  M2-2020</p> 	<p>Model: OSHM2057                  配件编号: OSHM2057                  Product name: OMP HOBBY T6 Remote(MODE 2)                  配件名称: OMP T6遥控器(MODE 2)</p> <p>Package: Hang tag +PE bag                  包装方式: 吊卡+PE袋</p> <p>适用机型: M2-EXP                  M2-2020</p> 	<p>Model: OSHM2058                  配件编号: OSHM2058                  Product name: Canopy Rubber Ring Set                  配件名称: 机头罩橡胶圈组</p> <p>Package: Hang tag +PE bag                  包装方式: 吊卡+PE袋</p> <p>适用机型: M2-EXP                  M2-2020</p> 	<p>Model: OSHM2059                  配件编号: OSHM2059                  Product name: Servo Swing Arm                  配件名称: 舵机摆臂</p> <p>Package: Hang tag +PE bag                  包装方式: 吊卡+PE袋</p> <p>适用机型: M2-EXP                  M2-2020</p> 
--	--	--	---

<p>Model: OSHM2060                  配件编号: OSHM2060                  Product name: 175mm Main Blades(Miami Blue)                  配件名称: 175主旋翼组-(迈阿密蓝)</p> <p>Package: Hang tag +PE bag                  包装方式: 吊卡+PE袋</p> <p>适用机型: M2-EXP                  M2-2020</p> 	<p>Model: OSHM2061                  配件编号: OSHM2061                  Product name: 175mm Main Blades(Racing Yellow)                  配件名称: 主旋翼组-(竞速黄)</p> <p>Package: Hang tag +PE bag                  包装方式: 吊卡+PE袋</p> <p>适用机型: M2-EXP                  M2-2020</p> 	<p>Model: OSHM2070                  配件编号: OSHM2070                  Product name: Ball Joint Set                  配件名称: 球头组</p> <p>Package: Hang tag +PE bag                  包装方式: 吊卡+PE袋</p> <p>适用机型: M2-EXP                  M2-2020</p> 	<p>Model: OSHM2072                  配件编号: OSHM2072                  Product name: ESC Set                  配件名称: 电调组</p> <p>Package: Hang tag +PE bag                  包装方式: 吊卡+PE袋</p> <p>适用机型: M2-EXP                  M2-2020</p> 
---	--	--	--

<p>Model: OSHM2074                  配件编号: OSHM2074                  Product name: SPEKTRUM Satellite Receiver                  配件名称: SPEKTRUM 卫星接收机线材</p> <p>Package: Hang tag +PE bag                  包装方式: 吊卡+PE袋</p> <p>规格: 1.5母端公壳插头线材 总长120mm                  适用机型: M2-EXP                  M2-2020</p> 	<p>Model: OSHM2075                  配件编号: OSHM2075                  Product name: Servo Gear Set                  配件名称: 舵机齿轮组</p> <p>Package: Hang tag +PE bag                  包装方式: 吊卡+PE袋</p> <p>适用机型: M2-EXP                  M2-2020</p> 	<p>Model: OSHM2076                  配件编号: OSHM2076                  Product name: Futaba SBUS Satellite Receiver                  配件名称: FUTABA SBUS 卫星接收机线材</p> <p>Package: Hang tag +PE bag                  包装方式: 吊卡+PE袋</p> <p>规格: 1.25胶壳端子3PIN线材 60mm长 X 3PCS                  适用机型: M2-EXP                  M2-2020</p> 
--	---	---



- (Product Model)产品型号: T6
- (Dimensions)外形尺寸长: L165\*W98\*H180
- (Radio Frequency)无线频率: 2.413GHz--2.453 GHz
- (Transmit Power)发射功率: < 20 dBm
- (Weight)重量约: 345g
- (Modulation Mode)调制方式: GFSK
- (Spread Spectrum Mode)扩频方式: FHSS
- (Working Voltage)工作电压: 3.7V
- (Remote Distance)遥控距离: 800m
- (Charge Interface)充电接口: Micro
- (Low Voltage Alarm)低电压报警: 3.4V
- (Battery Type)电池类型: Lithium Polyer Battery
- (Battery Capacity)电池容规格: 2500mAh 3.7V
- (Coach Interface)教练接口: Yes







# OMP HOBBY

Zhuhai edge smart dirve technology Co., Ltd  
[www.omphobby.com](http://www.omphobby.com)

© 2020