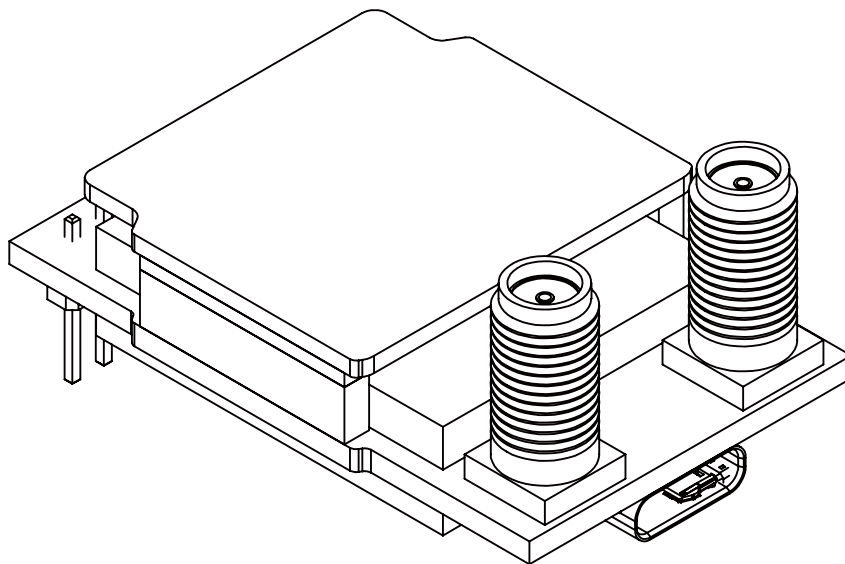




User Manual

RapidMix



Introduction

The RapidMix receiver is high performance receiver designed for Eachine EV3000 goggles, with goggles' user interface, customer no need take off the goggles to set the receiver, all the setting can be done in the UI.

Traditional diversity receiver use a hardware switch to choose strongest signal from two receivers, when the both signal is week, the rapid switch will cause the image flickering , tearing and rolling . but with RapidMix receiver, the hardware merge two signal into one, makes the signal much more stable and clear, and the hardware process the image without losing any details of the image, the image is still sharp and clear, also without latency.

Specifications

Specifications	
Frequency	5.3~6.0Ghz
BAND	Boscam A,Boscam B, Boscam E, Fatshark, Raceband, Lowband
CHANEEL	1~8
Sensitivity	-98dBm±1dBm
Antenna port	2 X SMA-K,50ohm
USB port	Type-C to upgrade the firmware or power the receiver
Power Consumption	5V@ 380mA
Weight	20g

Quick Start

- 1, Remove the goggle RX bay door.
- 2, Insert the RapidMix Receiver with care, make sure the pins is not offset.
- 3, Insert the RX bay door, make sure there is not sticker block the cooling holes.
- 4, Install the antenna.
- 4, Press the button on the left side of the goggles, roll the wheel choose RF normal.
- 5, Go fly.

Dual Receiver set up

The goggles have dual receiver bay, customer and install two RapidMix in to the bay, each RapidMix receiver will merge the image, then goggles will handle the two signal, then the goggle will get the most stable image.

Calibrate the RSSI

Even though the receiver is calibrated in the factory, but the receiver need re-calibrate after over time use. the receiver need synchronize the RSSI of each receiver, then can make sure the receiver get the best performance, to calibrate the RSSI, you need follow the step blow:

- 1, Remove the antennas.
- 2, Turn off VTX, the turn on the goggles.
- 3, press right button get into menu, then go to system menu, choose RSSI calibration, after calibration is done, the goggle will beep.

Upgrade Firmware

- 1, Take the receiver out, hold the boot button then connect the receiver to the computer.
- 2, Computer will automatically install the driver , then computer will show a new removable storage .
- 3, Copy the Firmware File to the folder. receiver will installing the update at the same time. it will takes about 60s to install the Firmware.

This content is subject to change, download latest version from:



www.eachine.com