

投掷器使用说明

三折页

单折页尺寸：100x55mm

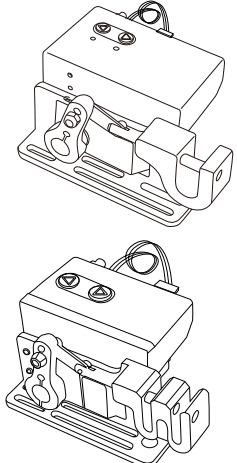

展开尺寸：100x165mm

印刷时不包括黑色虚线

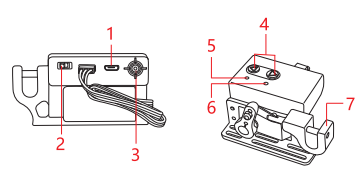
对折线

对折线

Instruction Manual For Aircraft Airdrop Thrower V2.0

Name of Parts

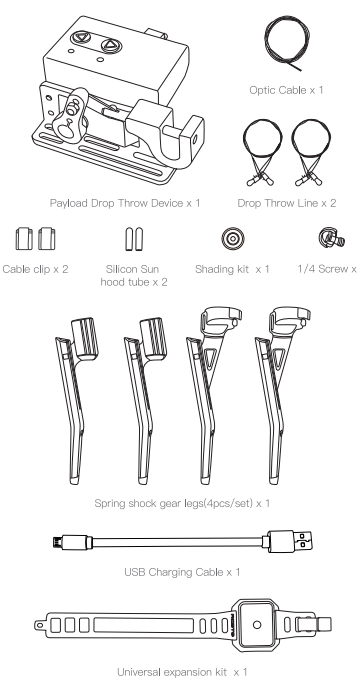


1. **USB charging port:** by micro usb interface, maximum current: 1A
2. **Power Switch:** Controlled by on or off.
3. **Fiber Optic Interface:** Connect the fiber to the aircraft to control the arm lamp.
4. **Adjusting Switch:** control the throwing arm to move left or right.
5. **Charging indicator:** Lights up when charging, lights off when full charging or not charging.
6. **Work indicator:** steadily flashes during work.
7. **Throwing Arm:** controllable remote control arm for controlling the throwing line.

Using Steps

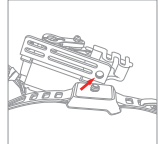
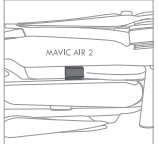
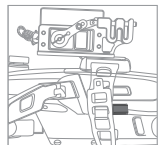
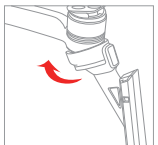
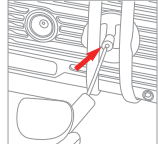
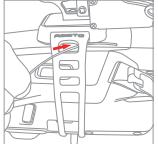
1. **Charging:** First, charge the thrower with the USB cable, and charge it until the charging status light is off.
2. **Fixed thrower and fiber Optic:** See installation steps for details.
3. **Settings APP:** Turn on/off the fill light by custom set the button in "DJI GO" APP (Please check more detail from "APP settings")
4. **Turn on the thrower power:** turn the power switch to the "on" position, then the work indicator will lights up and flashes. Turn off the power after use, and turn the power switch to the "off" position. The work indicator will be off.
5. **Test the default button for the throw test:**
 - The power light is not up after the switch is turned on – please fully charge the thrower firstly.
 - Nothing happens – please check if the arm light is turned on/off according to the default button (please try the APP setting if there is still a problem);
 - Thrower Irregular Switch Throwing Arm – Please check if the fiber optic is closed or not (light leakage or not)
 - The throwing arm is not locked in place – the position can be fine-tuned via the adjusted switch on the control box.
 - Normal state – When the throwing arm is powered on, it will be automatically open/close with the defaulted button.
6. **Mount item with the thrower for first test on the ground and then lift off for following test.**

Pack list

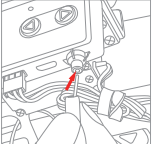
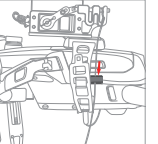


Payload Drop Thrower x 1
Drop Throw Line x 2
Cable clip x 2
Silicon Sun hood tube x 2
Shading kit x 1
1/4 Screw x 1
Spring shock gear legs(4pcs/set) x 1
USB Charging Cable x 1
Universal expansion kit x 1

Installation steps

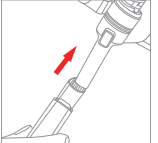
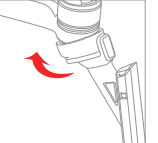
1. Installed the payload drop thrower device on universal expansion kit with the 1/4 screw
2. Instate cable clip kits, please fold the arms of drone, and then fix the cable clip parts on the middle of drone
3. Please fixing the universal expansion kit on the drone body
4. Install the spring shock gear legs (4pcs/set) x 1
5. Fixed the shading kit at the bottom of the drone by the universal expansion kit ; The optical fiber line passes through the silicon Sun hood tube and then fixed them on the shading kit
6. Managed and fixed the extra optical fiber line by universal expansion kit so that the extra optical fiber line wouldn't disturb the drone flying

7. The optical fiber line passes through another silicon Sun hood tube and then fixed them on the payload drop throw device
8. The Drop Throw Line passes through Cable clip and fixed on the drone to avoid disturb the drone flying

Step of installation the spring shock gear legs

The front legs are the same, no need to distinguish between left and right. The rear leg (left) is marked "L" on the reverse side, and the rear leg (right) stand is marked "R" on the reverse side





1. Push straight upward
2. Align the signal light and install upward

Charging instructions

1. When the work indicator flashes normally once per second, it can be used normally. When the work indicator flashes 4 times per second, the battery is low.
2. The charging indicator light is always on when charging, and disappears when the charging is completed. The maximum charging current is 1A


APP settings



- Settings the Fn button as the fill light (the system clicks to control the fill light by default), and control it by the Fn button Control lights, realize light transmission, and control the payload drop thrower device.
- The difference between the single payload drop thrower and the double payload drop thrower is to turn on/off the lights once to control one throw, double payload drop thrower can be controlled twice.

Note

1. The fixing parts of the lighting board are different depending on the model.
2. After the installation is completed, please check whether the cable line is blocked by the blades and sensors, and check whether the APP has abnormal prompts; If you are worried that the thrower cable line will block the paddle, you can fix it with tape.
3. Please don't transport over-weight objects with the device because there is different loading limitation with the different drone model. If you need to add more objects to the drone, please add weight gradually.
4. Please comply with the regulations during use. The operator is responsible for the safety problems and accidents caused.
5. Load description:
Throwing module and spring tripod weigh about 0.39 lb
MAVIC AIR 2 is limited to 1.1 lb



If this instruction is about to update, there is no additional notice beforehand. If you have any questions or suggestions about the instructions, please contact us via the following email address:
info@rcgeek.net