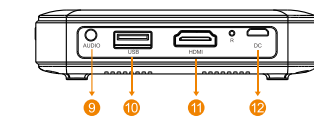
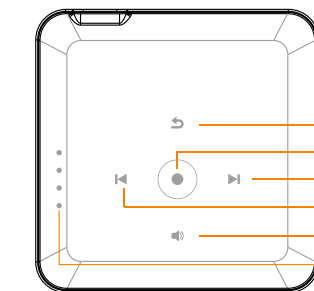
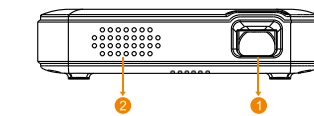


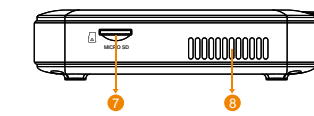
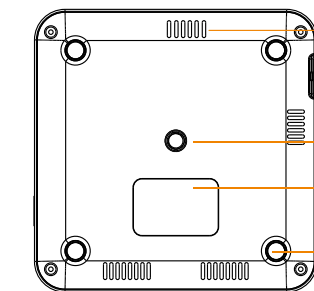
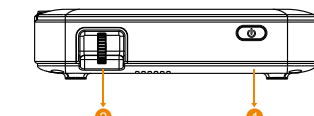
# QUICK GUIDE

## LOCATION OF PARTS AND CONTROLS



- 1: Lens
- 2: Speaker
- 3: Return
- 4: Confirm/Play/Pause
- 5: Right / FF / Volume+
- 6: Left / REW / Volume-
- 7: Volume Switch
- 8: Power indicator
- 9: Audio output(3.5mm)
- 10: USB input/Power out
- 11: HDMI input
- 12: DC input (5V/2.4A)

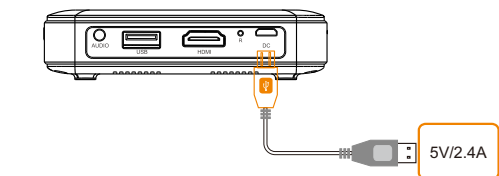
## LOCATION OF PARTS AND CONTROLS



- 1: Power
- 2: Speaker
- 3: Air inlet
- 4: Tripod dock
- 5: Rating Label
- 6: Non-slip mat
- 7: Focus wheel
- 8: Speaker

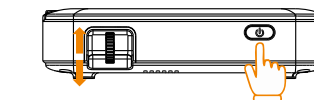
## CHARGING

Fully charge the battery before first use(approx. 3 hours)  
Connect the Adapter to the projector for charging. the power indicator will show the remaining capacity of battery, Each light represents 25% charge, 1 light indicating low charge, and 4 lights indicating full charge.



## POWER BUTTON

Press the switch button 3 seconds both for turn on and turn off.  
Short press the button to show the remaining capacity of battery.



## FOCUS ADJUSTMENT

Simply roll the focus wheel control up and down to adjust the clarity of the projected image.

## VOLUME ADJUSTMENT

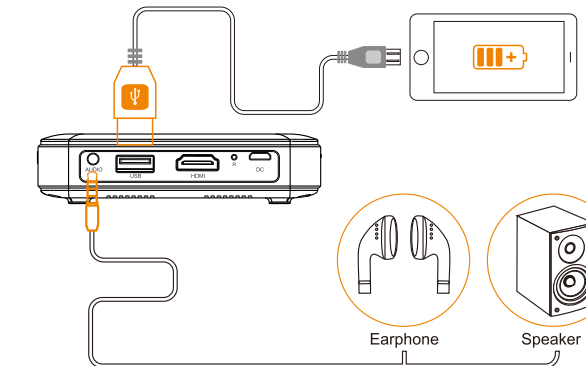
When play the video, touch the '🔊' button, then the screen will display the volume bar. now you can adjust the volume by the button < and >.

## POWER OUT

Connect the charging cable of your device to the projector's USB port, and then short press the switch button, now the projector turned into a power bank,it can charge your mobile devices, and the output is 5V/1A.

## AUDIO OUT

The projector built in 1 speaker for normal use, but it can output the audio also, Plug the earphone or line-in cable of speaker to the projector's 3.5mm AUDIO OUT port as below image.



## WARNING!

THIS PRODUCT CONTAINS A RECHARGEABLE BATTERY.

- 1, Do not store this product in high temperatures, damp areas, or in direct sunlight.
- 2, Never disassemble the product.
- 3, Never dispose of the product in fire or water, which may result in explosion and/or injury.
- 4, Keep product out of reach of children.
- 5, Do not touch product with damp hands.
- 6, Dispose of the product properly.
- 7, The product must not be discarded with ordinary household waste.
- 8, Contact your local recycling center for proper disposal.

## DANGER!

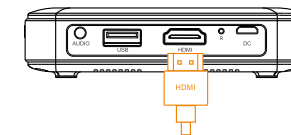
TO REDUCE THE RISK OF ELECTRIC SHOCK, BURNS, FIRE OR INJURY:

- 1, Do not use while bathing or in a shower.
- 2, Do not place or store unit where it can fall or be pulled into a tub or sink.
- 3, Do not place in, drop or submerge in water or other liquid.
- 4, Do not reach for unit that has fallen into water. Unplug it immediately.
- 5, Care should be taken so that objects do not fall and liquids are not spilled onto the unit.


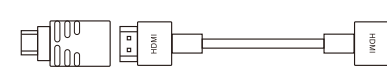
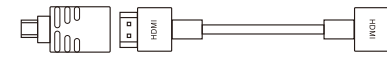


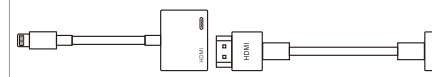
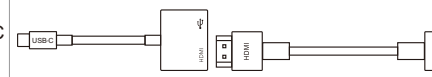
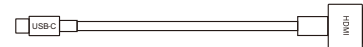
## HDMI INPUT

The projector can be connected to a variety of HDMI compatible devices via a wired connection, such as laptop, smartphone, tablets, PSP, etc. Please note the HDMI signal takes precedence over the USB drive inputs.



**NOTE:** Some devices may require an adapter to connect to your device. To determine what type of adapter you need to use, please reference the compatibility section of this manual. (For example, iPhone or iPad need a Lightning to HDMI AV adapter as below.)

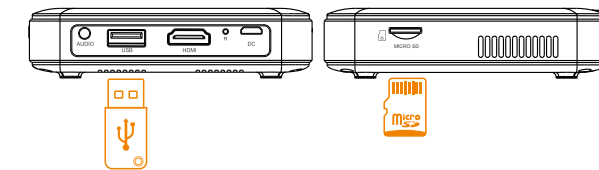
1	Devices with HDMI port	 ★ HDMI to HDMI cable
2	Devices with mini HDMI port	 ★ Mini HDMI to HDMI adapter ★ HDMI to HDMI cable
3	Devices with micro HDMI port	 ★ Micro HDMI to HDMI adapter ★ HDMI to HDMI cable

4	iOS devices with lightning port	 ★ Lightning digital AV adapter ★ HDMI to HDMI cable
5	Devices with USB-C (USB type C) port	 ★ USB-C to HDMI adapter ★ HDMI to HDMI cable
6	Devices with USB-C (USB type C) port	 ★ USB type C to HDMI cable

The products don't include any HDMI adapter

## USB DRIVE & MICRO SD CARD INPUT

Plug the USB drive or Micro SD card to the correct slot, then the projector can read the video or photo files directly by below steps.



## VIDEO CONTROLS

Before control, activate the control panel by touching the confirm button.

1. Pause: tap the confirm button.
2. Fast forward: touch the > button. Each will increase the speed by x2, x4, x8, x16.
3. Rewind: touch the < button. Each will increase the speed by x2, x4, x8, x16.
4. Exit: tap the ↺ button to return to the video file list. Tap this button again to return to the main menu.

## VOLUME CONTROL:

tap the 🔊 button. Then use the > and < buttons to increase or decrease the volume.



## PHOTO CONTROLS

When playing a photo file, the projector will automatically enter SlideShow mode. While in this mode, each photo in the file list will automatically play in order.

Before control, activate the control panel by touching the confirm button.

1. Pause SlideShow: touch the confirm button.
2. Resume SlideShow: touch the confirm button.
3. Play next image: touch the > button.
4. Play previous image: tap the < button.

## WIRELESS CONNECTIVITY

The projector support wireless connection with some smart phones and tablets, include i.O.S, Android and Windows 10 devices.

- 1, Connect projector to the wifi router.

**STEP1** Connect the Wi-Fi of your device to the hotspot of projector. (Pic1)  
Projector name: PRO-xxxxxx, Password: 12345678

**STEP2** Open the browser of your device and log on the URL for setting. (Pic2)  
The URL address is 192.168.49.1

After connection to the wifi router, the URL will be changed, Please check the new one displayed in the interface of projector, and log on new URL for more setting or upgrade.

**NOTE: Upgrade the software in the setting of URL, please see Pic3.**



## Android Device

- 1, Turn on the miracast, some devices named 'smart view', 'screen sharing', 'multi screen' or others.
- 2, Check the devices list and choose the projector, which named PRO-XXXXXX.

## i.O.S Device

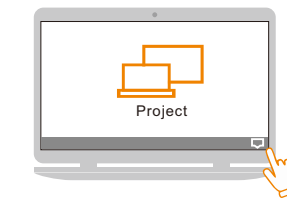
- 1, Be sure your device connected to the hotspot of projector, or your device and projector connected to the same Wi-Fi router.
- 2, Tap the screen sharing and choose the projector, which named PRO-XXXXXX.

**NOTE: Normally, You need upgrade the software of projector if ios upgraded.**

## Win10 device

Be sure your Win10 device support wireless connection.

Open the operation center in the right corner and choose project.



then you can find 'Connect to wireless display, tap it, the Win10 device will search the display devices automatically, then projector will show in the device list, please connect to the projector(named PRO-XXXXXX).

