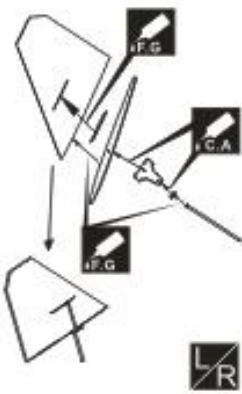
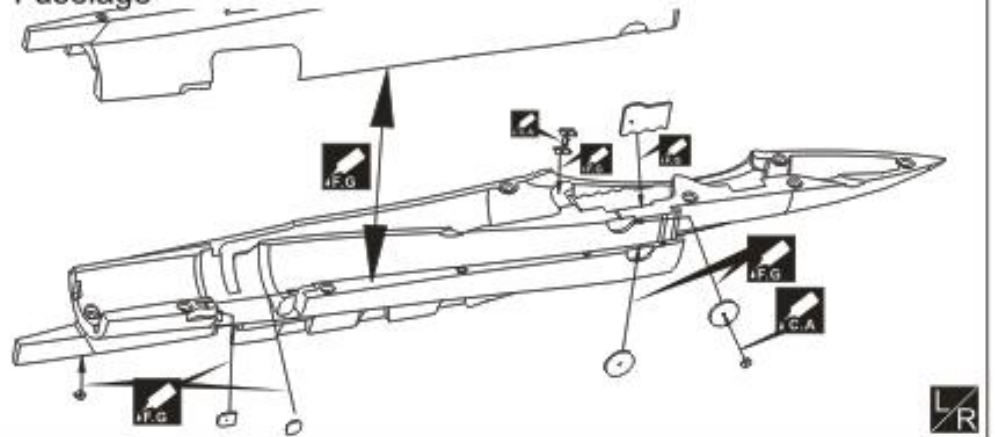


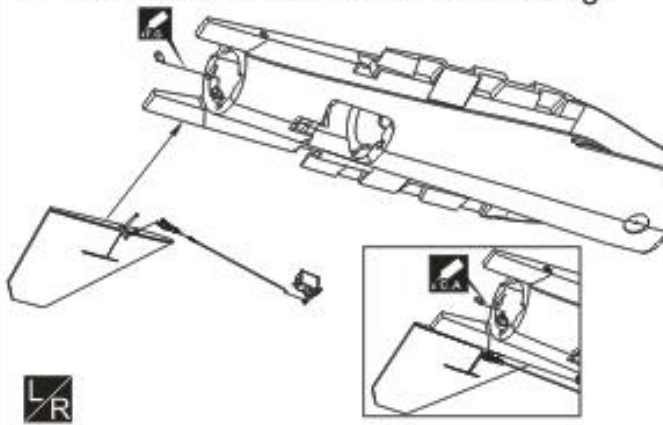
### 1. Horizontal Tail



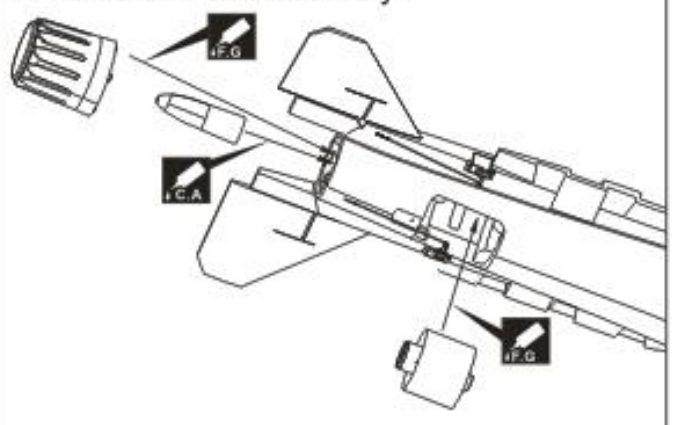
### 2. Fuselage



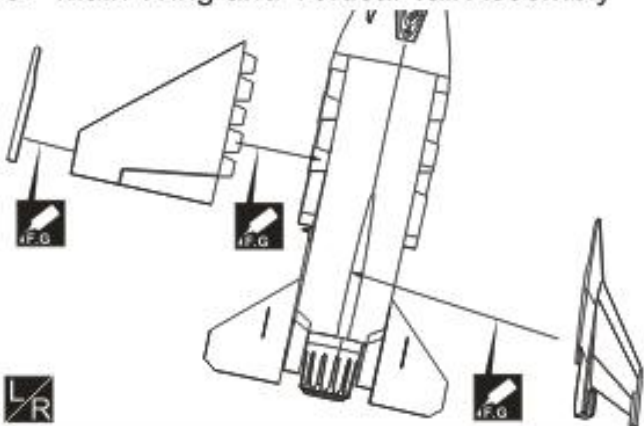
### 3. Assemble Horizontal Tail to Fuselage



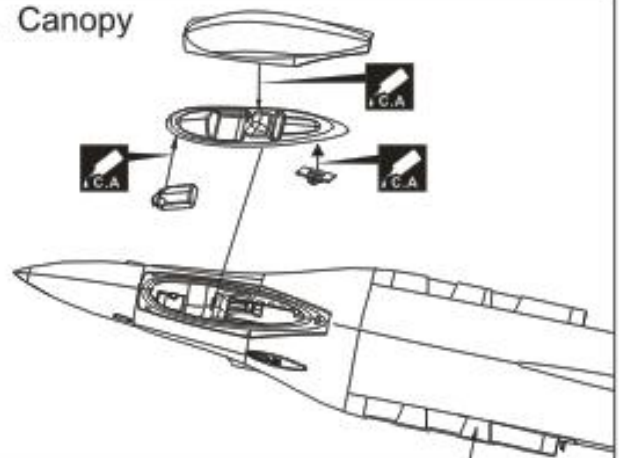
### 4. Ducted Fan Assembly

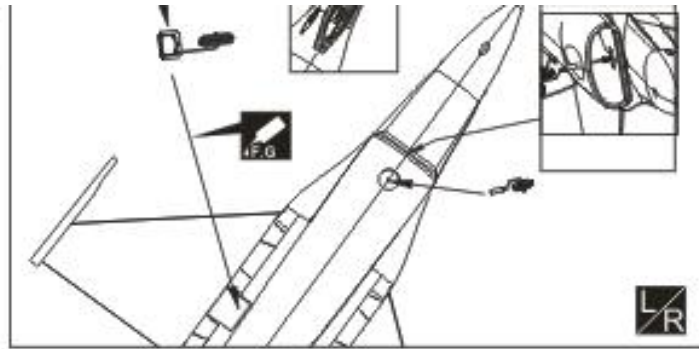
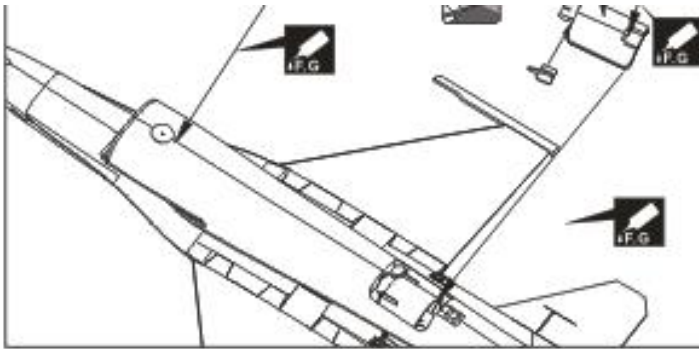


### 5. Main Wing and Vertical Tail Assembly

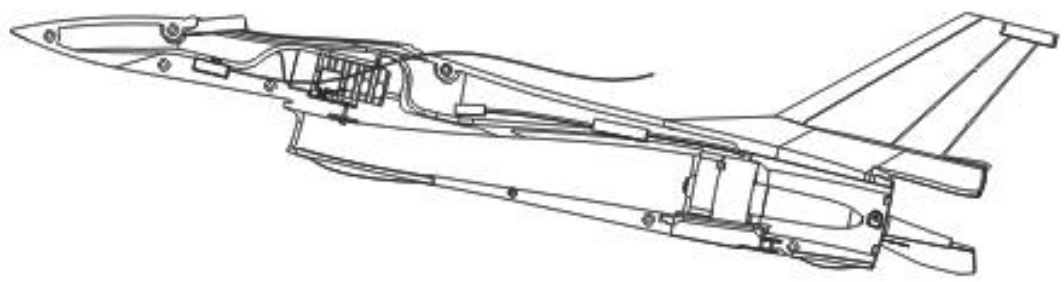


### 6. Canopy





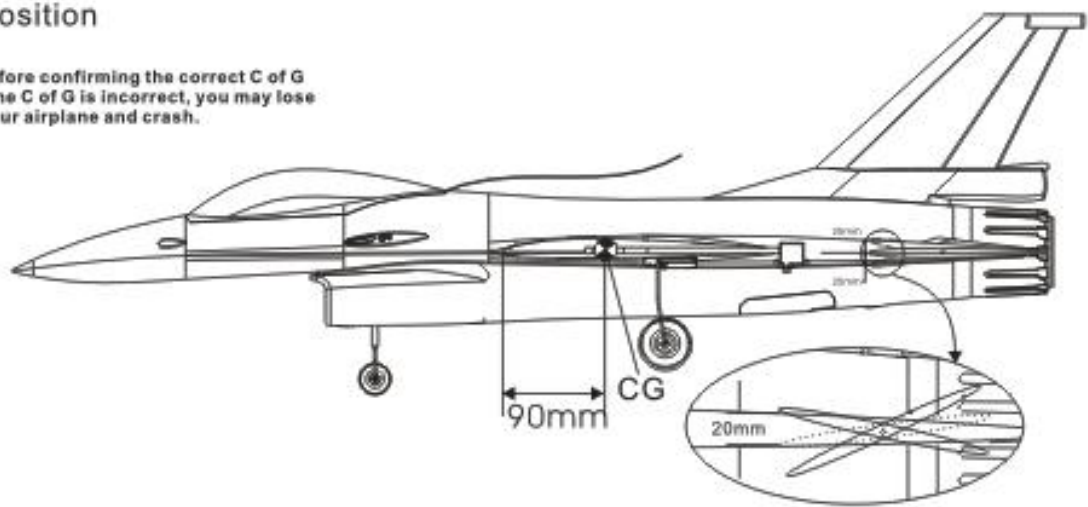
### 9. Side View



### 10. C of G Position



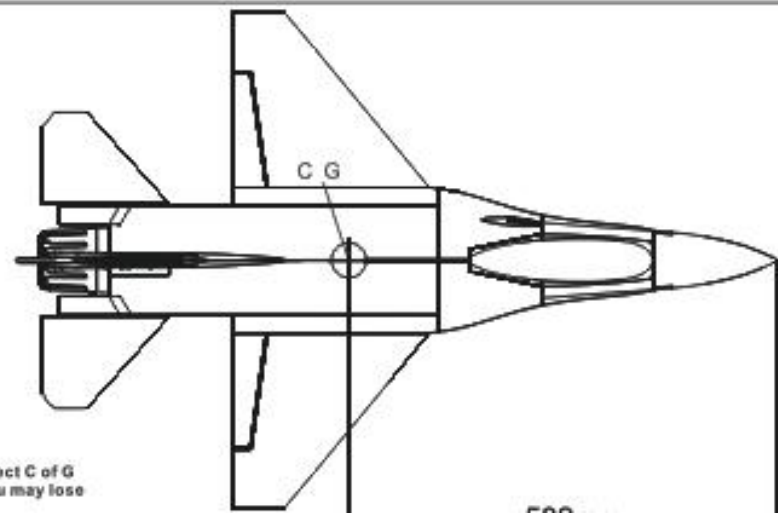
Do not fly before confirming the correct C of G position. If the C of G is incorrect, you may lose control of your airplane and crash.



### C of G Position



Do not fly before confirming the correct C of G position. If the C of G is incorrect, you may lose control of your airplane and crash.



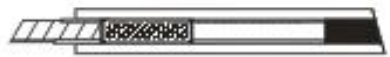


winds, in between high buildings, near power poles, children play grounds and (rail) roads.

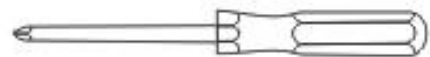


1. Only fly your plane in areas that are suitable or selected for remote control airplane. You must realize that certain public areas are not allowed to be used for flying radio control aircraft. Please check with your local government when in doubt.
2. Keep your plane away from high power / high voltage cables as they can cause interference on the radio system. Interference can result in losing control of your plane, ultimately leading to a crash.
3. Try to avoid using your plane in coastal area's. The salt in the air can cause corrosion on the remote control system, resulting system failure.
4. Stay away from traffic area. Flying in these areas can distract people from their attention to the road causing avoidable incidents.
5. Don't fly your plane nearby airports or routes where often commercial aircraft are flying. Also, don't fly your plane in parking lots or other places where it can cause problems with persons or objects. In some emergency cases it is possible that full scale aircraft or helicopters are entering the area you are flying in. In these cases you always have to land you plane as quickly as possible. Commercial flights always have priority above your radio control airplane.

## REQUIRED FOR OPERATION



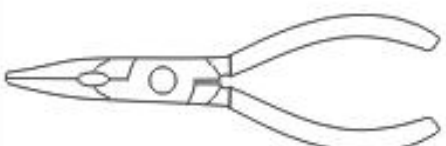
Sharp Hobby Knife



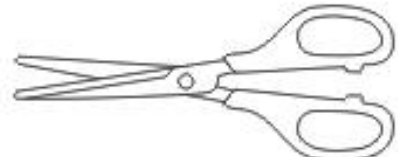
Phillips Screwdriver(M.S)



Instant Glue



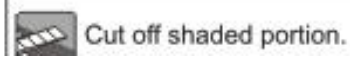
Needle Nose Pliers



Scissors



Foam Glue



Cut off shaded portion.



Apply instant glue (CA glue, super glue)



Foam Glue



Assemble left and right sides the same way