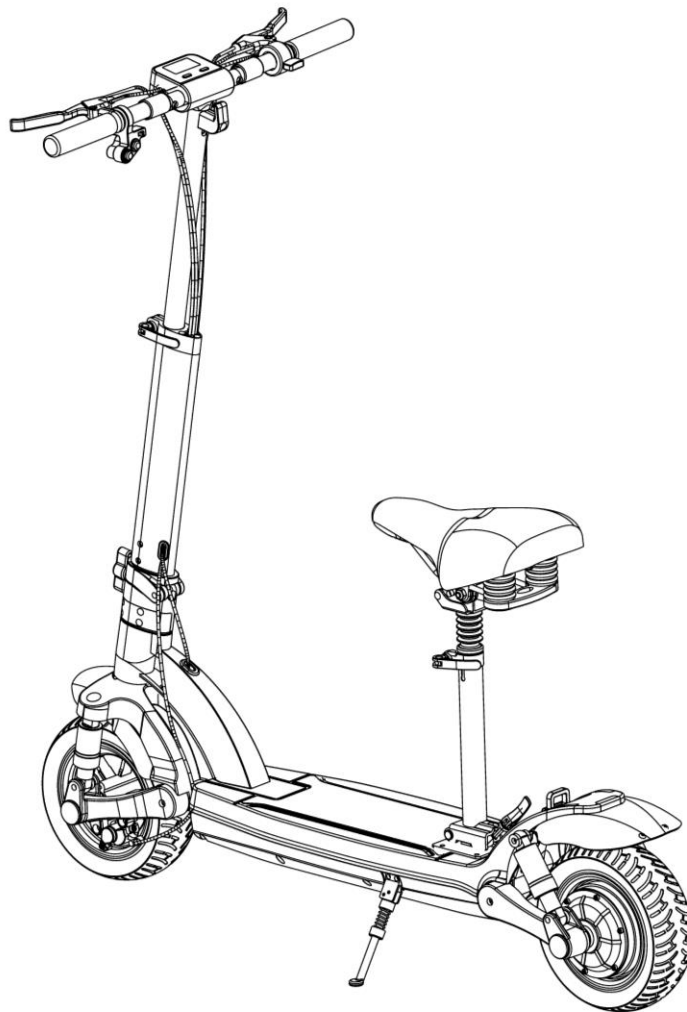


LAOTIE

User Manual

48v15.6AH Electric Scooter



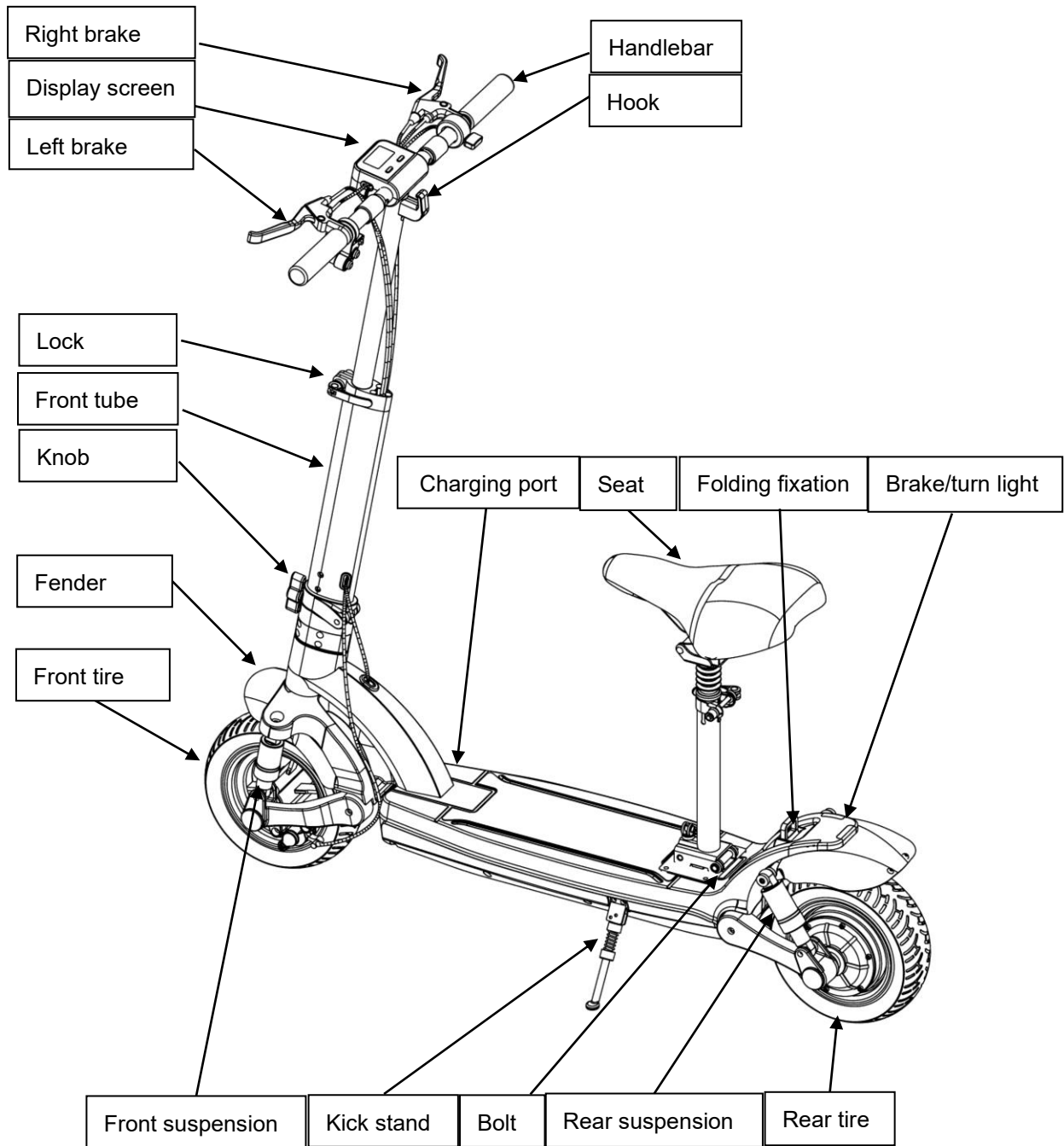
Model No.: ES8 (F102)

SAFETY INSTRUCTIONS

WARNING: To reduce the risk of serious injury, read the following safety instructions before using the item.

1. Read all warnings posted on the equipment. Follow all safety instructions in this manual.
2. This equipment is a personal transport vehicle and it is designed for one person use only.
3. This equipment is designed for adult use only.
4. Persons under the age of 16 should not use this vehicle.
5. Please wear the safety helmet when riding the equipment.
6. Do not ride the equipment on the unsafe surface or off road.
7. Please practice on an open traffic-free space on gear level 1 before riding on the bicycle lane.
8. Please during the riding operations always keep both hands on the handlebar and both feet on the pedal. Please do not jump on the pedal.
9. Do not turn off the motor power while riding the equipment.
10. Do not try to ride over a gap of more than 3 cm. This may cause injury to the rider or damage the equipment.
11. When riding on the rough or dumpy road, please slow down or stop riding the equipment.
12. A user must adjust the height of the handlebar according to their height to ensure a safe stable and comfortable ride.
13. Do not ride this equipment on slippery surfaces such as oil or ice.
14. Do not use this equipment in the weather conditions with the temperature below -5.
15. Do not leave the product immersed in a water depth of more than 3 cm to avoid damage to the electrical parts of the equipment.
16. Avoid riding the equipment in adverse weather conditions like rain, snow or wind storm to prevent an accident. If riding in this conditions, never exceed the speed of 10 km/h.
17. If the equipment is not used for a period of longer than 30 days, regularly charge it at least every 30 days.

DIAGRAM



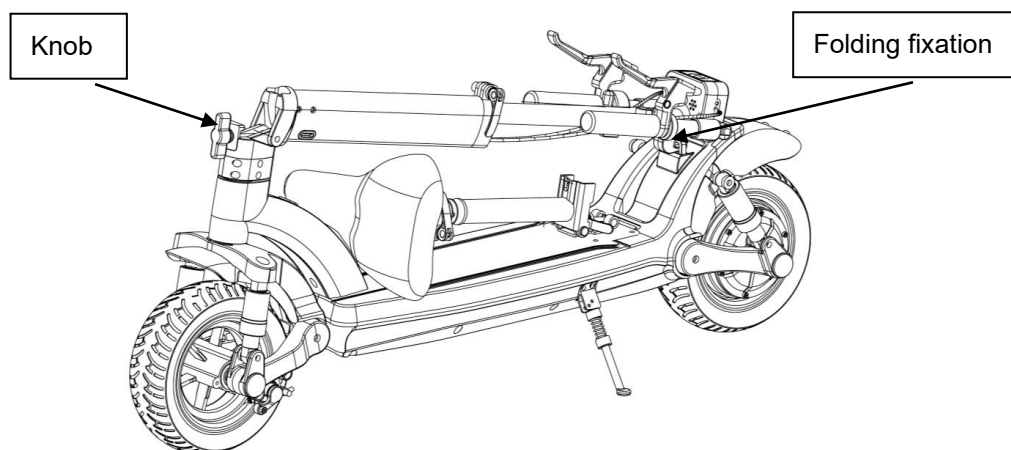
TECHNICAL SPECIFICATION

Name	Parameters
Brand	LAOTIE
Model	ES8
Tyre size	10 inch
Tyre Type	Off-road
Motor Power	500W
Max Load	120KG
Lithium Battery Capacity	48V/ 15.6AH
Endurance Mileage	55 KM
Charging Time	7-8H
Climbing Gradient	15°
Brake	Disc
Material	Die-casting Aluminium
Charger Input	AC 100-240V~ 50/60Hz
Charger Output	DC 54.6V=2.0A
Unfolded Size	1125*550*1180MM
Folded Size	1125*485*235MM
Net Weight	24.5KG

UNFOLDING

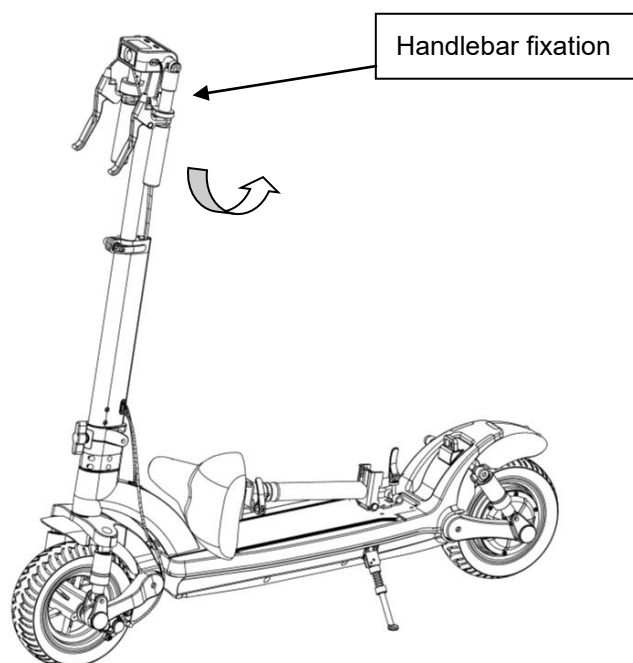
1. Unpack the electric scooter from the shipping carton and remove the packing materials.

Press the folding fixation to loose. Lift up the front tube. Turn the knob clockwise to tighten.



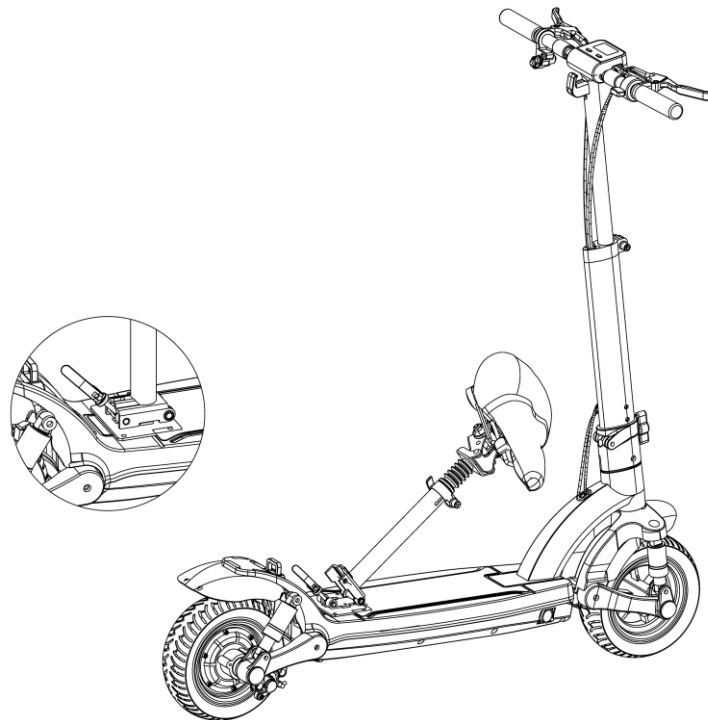
2. Unfold the handlebars upward until they slip onto handlebar fixation and lock in place .
Verify that the handlebars will not loose.

Loose the lock to adjust the height of handlebar. Once the required height is reached, tighten the lock.

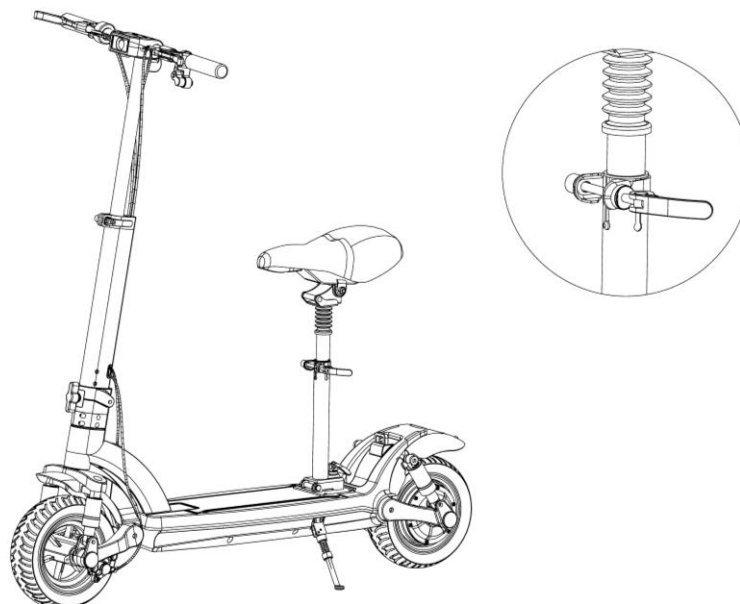


Warning: Do not use the electric scooter without verifying that the handlebars and front tube are locked in place. Before riding, shake the handlebars and front tube to ensure that they are not loose.

3. Loose the bolt and slide the bolt to the right side and lift up the seat post at the same time. Do not release the bolt until the seat post locks in place. Tighten the bolt.



4. Lift up the seat until it locks in place. Loose the bolt to adjust the height of the seat. Once the required height is reached, tighten the bolt. Verify that the seat is locked in place by pulling upward on the seat. If the seat is properly locked, the seat will not move up or down.



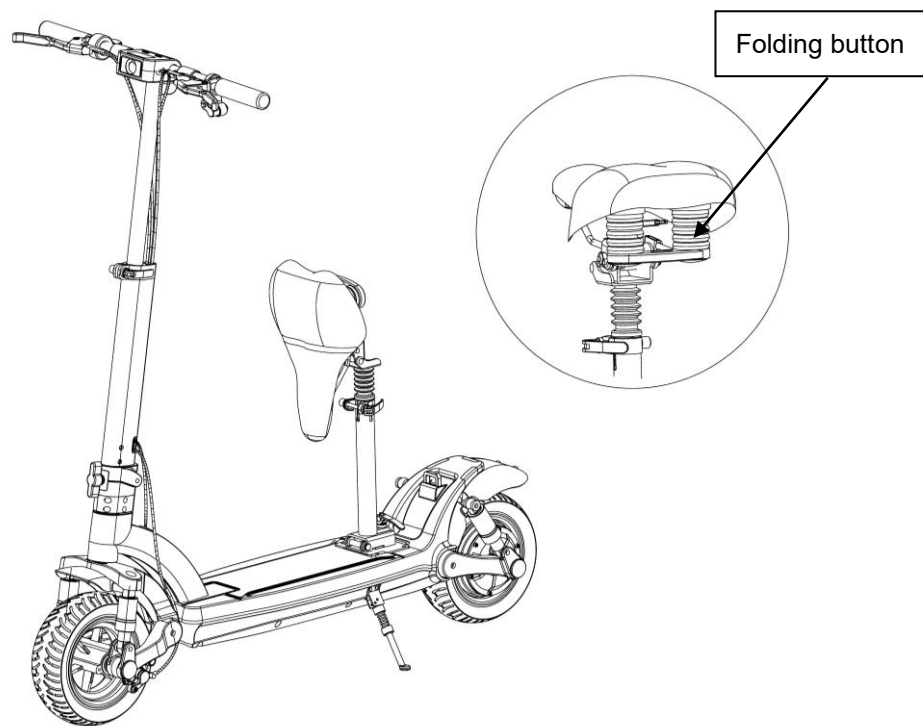
Warning: Do not use the electric scooter without verifying that the seat post and seat are locked in place. Before riding, shake the seat post and seat to ensure that they are not loose.

FOLDING

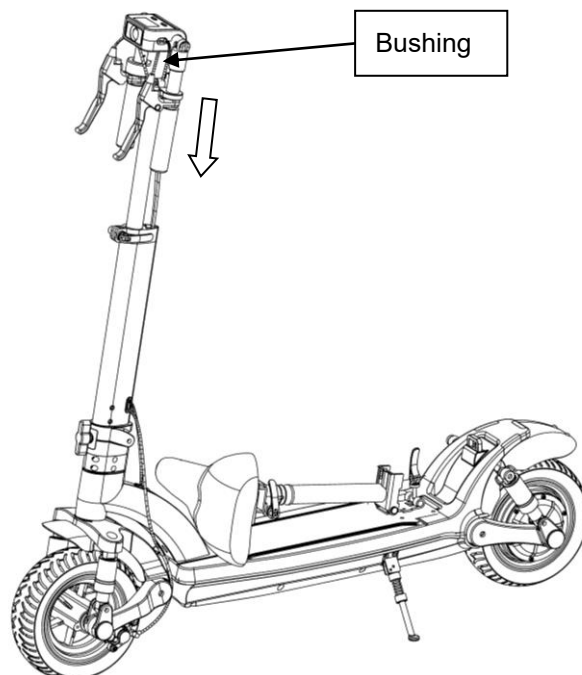
1. Press the folding button to fold the seat.

Loose the bolt to lower the seat to the lowest position.

Loose the bolt and and slide the bolt to the right side and put down the seat post at the same time. Move the seat to the right side of pedal.

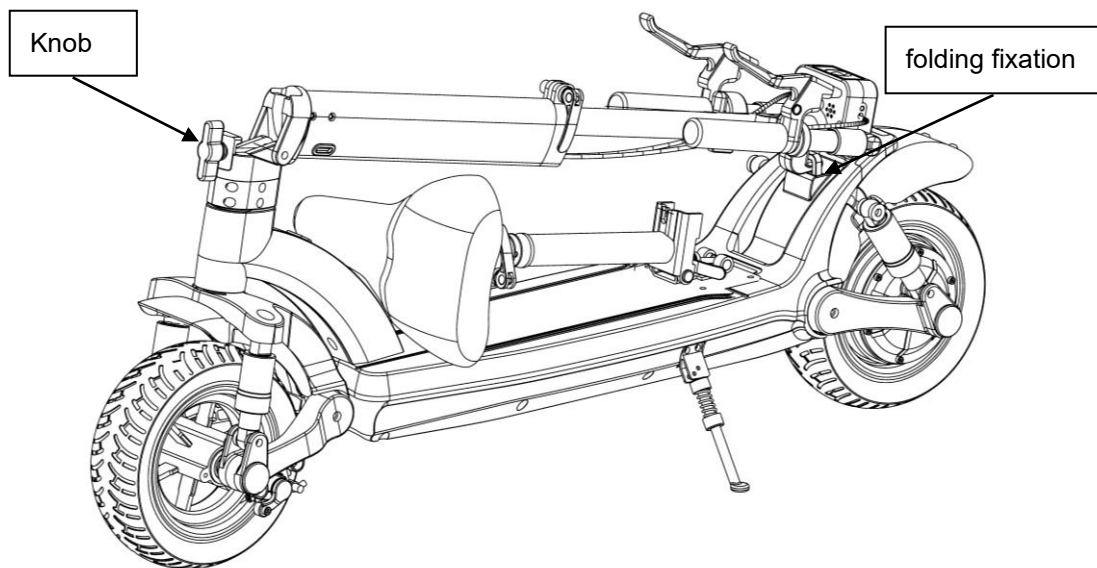


2. Hold the bushings and pull them outward to fold the handlebars downward.

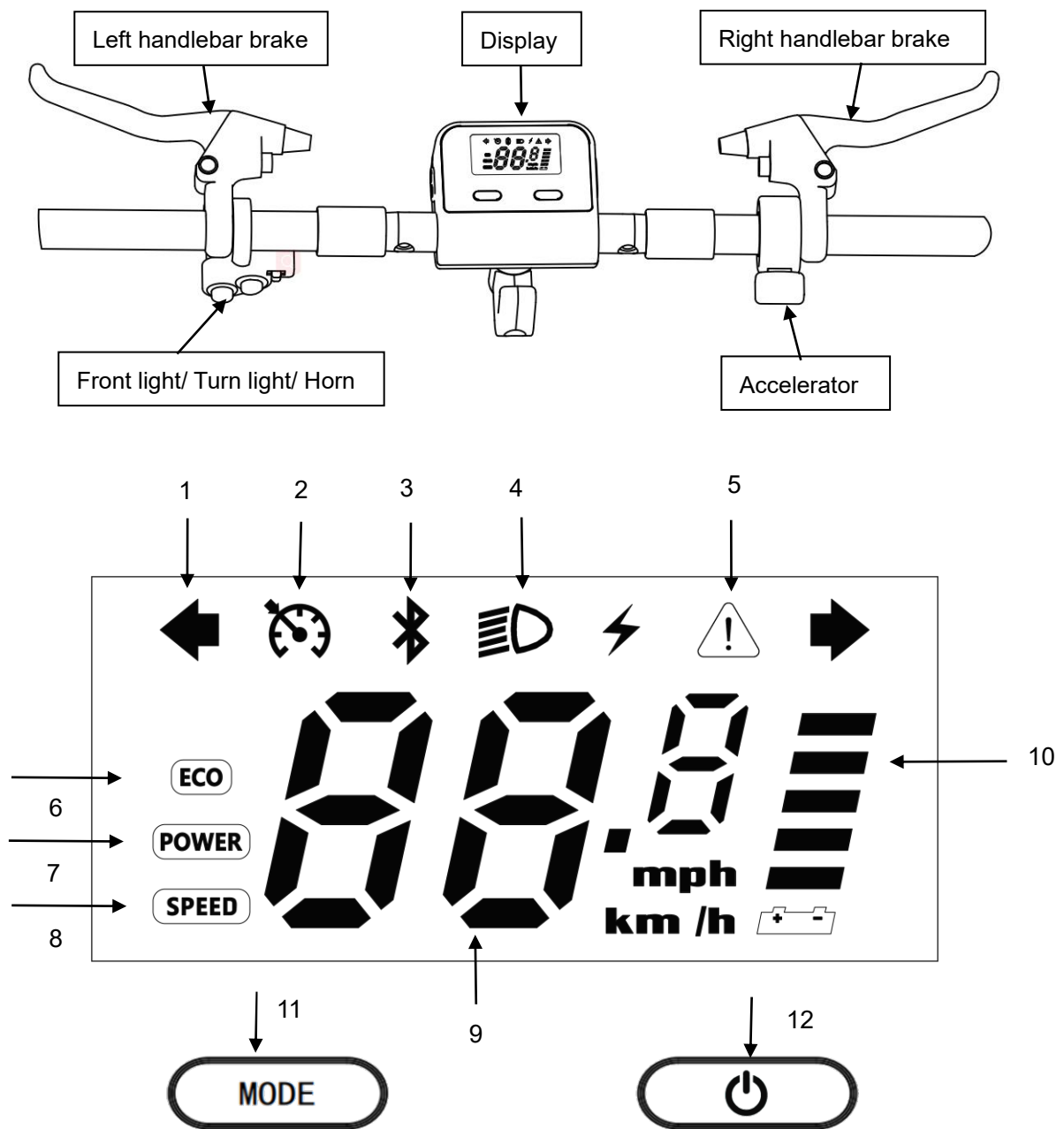



3. Adjust the height of handlebar to the highest position.

Loose the knob to fold down the front tube onto the folding fixation. Verify that the front tube is locked in place by pulling upward on the front tube.



BUTTON & DISPLAY



1. Turn light indicator
2. Cruise indicator
3. Bluetooth indicator (optional)
4. Front light indicator
5. Trouble light indicator
6. Low speed mode indicator (press mode button to switch)
7. Power mode indicator (press mode button to switch)
8. Speed mode (press mode button to switch)
9. Speed indicator
10. Power indicator
11. Mode button (press to switch to ECO or POWER or SPEED mode)
12.  button (short press to turn on/ off light of pedal; long press to turn on/off scooter)

RIDING INSTRUCTION

Before Riding

1. Choose a suitable venue for riding.
2. Unfold the product according to the instructions.
3. Adjust the height of the handlebar tube according to your height.

Riding

1. Press the power button to turn on the power. The speed set by default to gear level is 1.
2. For safety purposes the electric scooter has a safe start design which means the motor can start only when the speed of the vehicle is above 0. It prevents motor start when the acceleration handle is pressed by mistake. To start the riding operations, put one foot on the pedal and the other foot on the ground and kick scoot it like a classic kick scooter. When the scooter is in motion and its speed is above 0, smoothly use the acceleration handle to start the motor. Once the motor is started, put the other foot on the pedal and continue riding.
3. While riding, adjust the gear level from 1 to 3, use lights and horn according to the road conditions. Be aware of the cruise control function. Cruise control function is activated when the acceleration handle is pressed with the same pressure 8 seconds.
4. Be aware of the possibility of unpredictable sudden obstacles on your way and control the speed level

Braking

Use the rear brakes handle for braking under normal circumstances. Use front brake handle or your foot for braking in emergency situations.

The greater pressure you put, the greater braking force will generate. Be aware hard braking may result in an accident due to slipping of the wheels, lost of balance and fall of the vehicle. Hard braking might also cause damage to the tire.

MAINTENANCE

Tires

1. The electric scooter uses rubber elastic tires. When the tires are worn out or have a puncture, they need to be replaced timely.
2. Contact the official distributor to replace the original tires.
3. Inspect your scooter and the tires every month, check if the screws are tightened enough. If not, tighten them.

Battery

1. This electric scooter is equipped with a Lithium battery.
2. The average lifespan of the battery is 500 cycles. Under normal use and maintenance, the battery lifespan can generally reach more than 600 cycles.
3. Before using the scooter at first time, please have the battery full charge.
4. Avoid totally depleting the battery before charging. Remain the battery minimum 10%.
5. For satisfactory vehicle performance, the battery has to be charged minimum 50%.
6. Do not leave your electric scooter with a significantly discharged battery for a few hours. Charge it timely.
7. When storing the electric scooter for a long period, make sure the battery is at least 40-50% charged.
8. It is advisable to charge your scooter minimum once per 30days.
9. Always use only the original charger that corresponds to the scooter
10. Do not leave your electric scooter in the cold temperature below 0 or under direct sun.
11. Keep the battery dry. Negative environmental conditions can damage the battery.
12. Lithium batteries have to be treated with extreme caution. Unappropriated charging, damage or overheating can result in a fire.
13. Do not leave your electric scooter to charge without supervision.
14. Do not leave the electric scooter to charge overnight.
15. Always supervise the electric scooter while it is charging and avoid battery over-charged.
16. Do not use or leave a damaged battery unattended and follow the disposal protocols.

Charger

The dedicated charger provided has a charging protection timing function. Please follow the charging instructions carefully.

1. Open the charging port cover on the electric scooter and insert the charger output connector into the charging port.
2. Insert the charger input power plug into the power socket (AC100V-240V)
3. Charger light is red to indicate that charging is in progress. When the charger light turns green, it indicates that the battery is fully charged.
4. When charging the battery, place it in a dry and ventilated environment.

WARRANTY

Warranty Scope

This limited warranty covers any defects in material or workmanship in the new devices accompanied by this limited warranty statement for a period of 12 months after the first retail purchase for the non-electric parts and for the electric scooter and for a period of 6 months for the battery, under normal installation, use, service and maintenance.

Only consumers purchasing this device from an authorized distributor or retailer may obtain coverage under this limited warranty.

This warranty extends to the original purchaser only and is non-transferable

Warranty Limitations

This limited warranty does not cover any problem that is caused by:

Commercial use, accident, abuse, neglect, shock, heat or humidity beyond product specifications, improper installation, operation, maintenance or modification.

Any misuse contrary to the instructions in the user manual.

Malfunctions caused by other equipment.

This limited warranty is void if a product is returned with removed, damaged or tampered labels of any alterations (including the unauthorized removal of any component or external cover).

This limited warranty does not cover the cost of international warranty shipping at any time.

Warranty Application Process

We will not provide any warranty coverage unless your claim is in compliance with all terms of this limited warranty statement and you follow proper return procedure.

To request warranty service, you may contact us or contact with an authorized distributor or retailer.