

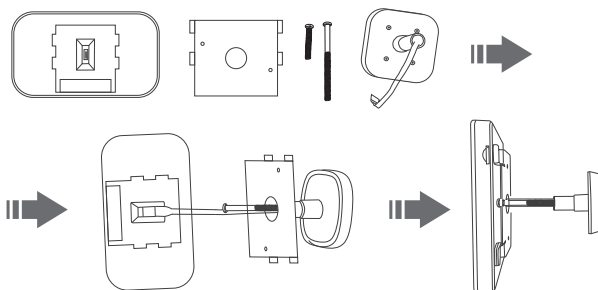
Step 3 insert FPBC connector into the indoor equipment, "↑" upward

Step 4 indoor unit is fixed on the metal bracket

Step 5 lithium battery inserted into the machine lithium battery box, double-check whether the device is connected FPBC joints, press the doorbell button for testing at the door

Operation :

- 1.Menu: press "menu" button to get into menu, press "◀" or "▶" to choose, and then press "menu" to confirm menu function.
- 2.automatic shutdown: "10s", "20s", "30s", "close" four choices. Choose "◀" or "▶" and then press "yes" to save, to save the power, we suggest you choose "10s".
- 3.Languages: "English, Italian, Arabic, Turkish, Spanish, Russian, Simplified Chinese" 7 languages to choose.
- 4.LCD frequency: "50Hz or 60Hz" to choose.
- 5.Mode: "photo" or "video" to choose.
- 6.Preview: check the records about pictures and videos.
- 7.Night view: "on" or "off" to choose, if you choose "off", there will be no night view.
- 8.Doorbell set: 32 kind of ring tones to choose.
- 9.Exit: press "exit" button to exit the menu setting.



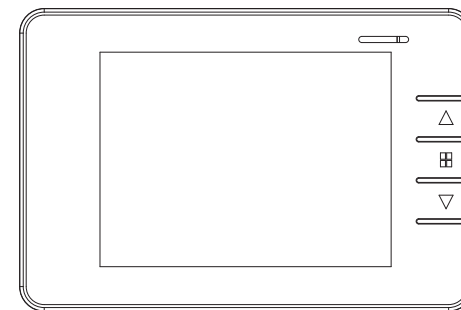
Packaging content

1 outdoor unit 2 indoor hosts 3 metal stents 4 screws (2pcs) 5 charger 6 data line 7 lithium battery 8 User Manual 9 Packaging I

Note: Two screws, short screws for door thickness 3.5-6cm long screws for 7-10cm thick door (over 100mm door, screws can be customized), any changes to the technical specifications without notice.

Digital Door Viewer

USER MANUAL



Quick Start Guide :

Thank you for purchasing our intelligent doorbell , to help you correct operation , please read the instructions properly before use.

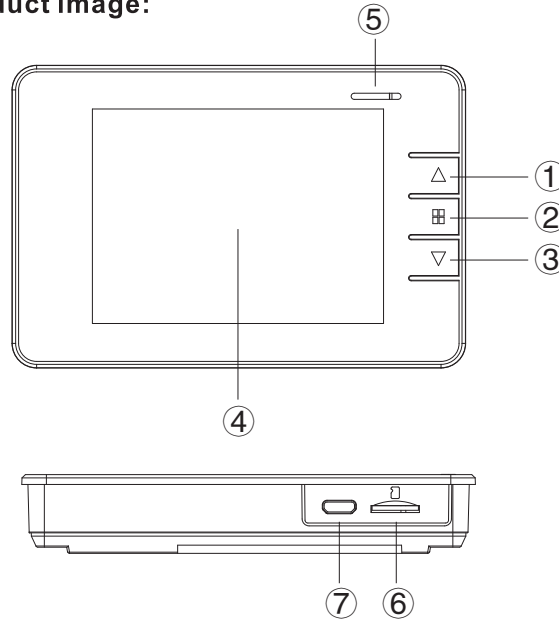
Product Features :

- 3.0 inches high brightness TFTLED display screen
- HD digital camera
- 24 hours security surveillance
- night version
- easy to install and operate

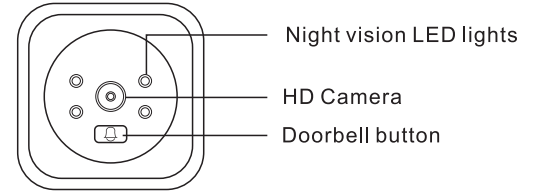
Technical Specifications

- 1.sensors: CMOS with mihara digital image sensor
- 2.zoom: 3 times digital zoom
- 3.doorbell: doorbell function and there are 32 ring tones for choose
- 4.MicroCD card slot: supports up to 32 GB
- 5.infrared: 4 IR LED with night version, LED turns on automatically when it back light.
- 6.power : 3pcs AA batteries
- 7.date and time: if you choose this function, the photo and video will show this.
- 8.the low voltage: when the voltage is low, the power icon will blink with the sound drip, drip...
- 9.the hole diameter: 14-35 mm
- 10.door thickness: 35-100 mm
- 11.product size: 111*74*20mm

Product image:



- 1.Up and Down button
- 2.Power button
- 3.Battery Case
- 4.LED display
- 5.Speaker holes
- 6.TF card slot
- 7.Charging port



Menu settings : 1. The doorbell: when visitors press the doorbell button, outdoors host device will has "ding-dong" sound and the LED screen will open automatically, indoor users can see who is out of the door.

2. Camera mode: when visitors press the doorbell button, photos and date time will be saved at SD card.

3. Camera mode 2: users short press "switch" button, the screen will open and show the outdoor environment and at this time you can press "switch" button to snapshot the outside, long time press "switch" button to shut down.

4. Video: in the menu mode, set the video function, then it will take videos for 10 seconds when visitors outdoors.

5. replay: users can view records about the pictures and videos from the preview function in menu. If you want to replay the videos, you can short press "switch" button to play.

Installation Guide:

Step 1. ripped the outside the machine security tape ,mounted the doorbell button on the outside door, the guide rod inserted into the hole.

Step 2 of the interior security tape torn metal stent, the interior metal bracket with screws and duct links, tighten the screws, keep the metal bracket hook up