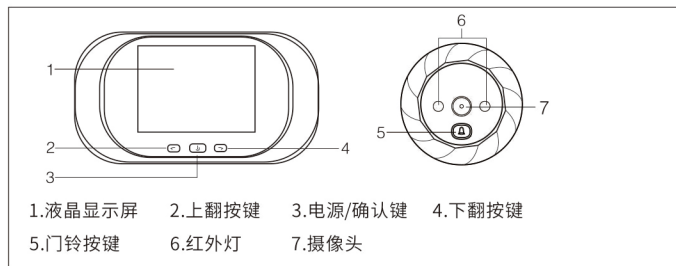


## 智能电子猫眼用户手册

感谢您购买我司生产的智能猫眼产品,为了帮助您正确的使用产品,请在使用前仔细阅读本手册。

### 一:产品外观图

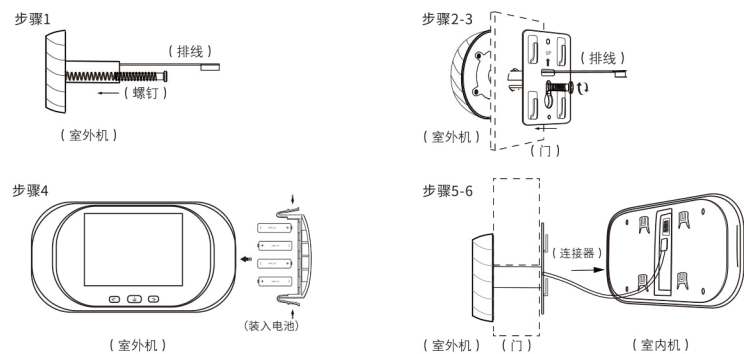


### 二:安装指南

- 步骤1:根据门的厚度选择一根长度合适的螺钉拧入室外机的突杆内。  
步骤2:将室外机背部防滑垫上的离型纸撕下,将导杆和排线一起穿过门上猫眼孔并用力将室外机贴在门上(注意正确的方向,门铃按键在正下方)。  
步骤3:取出金属挂板(标有“UP”的一端朝正上方),将排线穿过挂板上小长方形孔,

- 1 -

- 将螺钉卡进挂板上的葫芦孔,拧紧螺钉至挂板和室外机被固定牢固。  
步骤4:取下电池仓盖,根据电池仓盖外侧的正负极标识装入4节AAA 1.5V的电池,扣好电池盖。  
步骤5:将排线扣接到室内机背面的连接器母座上。  
步骤6:将室内机背面的4个槽对准金属挂板上的4个挂钩并下拉至锁紧状态。



### 三:功能说明

- 2 -

- 按电源键开机,开机状态再次按电源键可以进行拍照,长按电源键3秒关机。
- 当访客按下门铃键时,室内主机响铃,同时液晶显示屏打开并拍照。
- 开机状态,短按上翻键/下翻键进入照片浏览,再次短按上翻键/下翻键按顺序浏览照片。
- 开机状态,长按上翻键,删除所有访客记录。
- 开机状态,长按下翻键,设置自动关机时间:15秒、25秒、常亮。
- 在浏览照片时,长按上翻键,选择删除所有访客记录。
- 在图片浏览时,长按下翻键,选择删除单张访客记录。

### 四:产品参数

屏幕尺寸	2.8英寸	材质	ABS工程塑料
屏幕分辨率	320*240	可视角度	90°
存储方式	自带内存,循环存储	适合门孔直径	14-22mm
电池	1.5V AAAX4	适合门厚度	35-120mm
摄像头	30万像素	产品尺寸	室内机:127*68*13mm 室外机:φ58*13mm
红外灯	2颗850nm	使用环境	-20°C ~55°C

- 3 -

### 五:产品配件

室内机*1	室外机*1	金属支架*1
说明书*1	保修卡*1	螺丝*3

### 六:安全注意事项

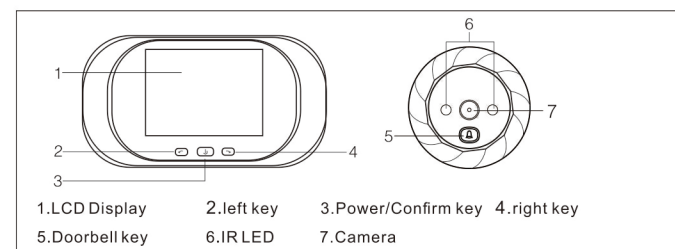
- 非专业人士请勿拆机;
  - 请勿将本产品在高温、潮湿、盐雾等恶劣环境下使用或存储;
  - 安装过程中小心操作;不要用力拉扯室外机连接线,防止连接线刮伤、断裂;
  - 请使用标准规格的1.5V AAA电池,劣质电池可能使产品无法开机。
- 整机质保1年  
图片仅供参考,以实物为准,生产商保留对产品外观及功能进行改进和升级的权利,恕不另行通知。

- 4 -

## Digital Door Viewer User's Manual

Thanks for purchasing the digital door viewer from us,In order to help you using the product in right way,please read this manual carefully before using it.

### The product frame

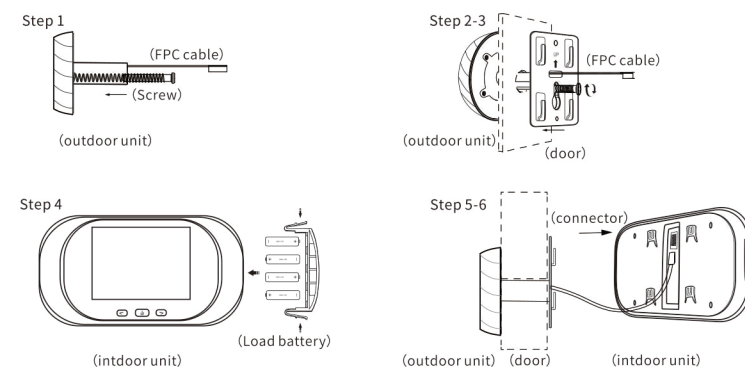


### Installation Instruction

- step1:According to the door thickness to choose a suitable bolt,then screw the bolt into the screw hole on the barrel of outdoor unit.  
step2:Insert the barrel together with the FPC through the door peephole,then hold the outdoor part on the door in right direction.  
step3:Take out the metal bracket(the“UP”arrow on the bracket means upward),past the FPC through the rectangular hole,pass the screw through the round hole of the metal bracket,then screw the bolt to lock the metal bracket with outdoor part tightly.

- 1 -

- step4:Connect the FPC from outdoor unit to the connector of the indoor unit in right direction.  
step5:The four slots on the back of indoor unit is aligned with four hooks on the metal bracket and buckle up,then pull down indoor unit to lock tightly.



### Function Operations

- 2 -

- Power on/off:when pressing“doorbell key”or“power key”,the indoor part will power on and ring,keep on pressing “power key”for 3 seconds,the device will power off.
- Take photo:pressing“doorbell key”,the device will power on and take photo;in power on mode, pressing“power key”it will take photo too.
- Review photo:In power on mode,press“left key”or“right key”to review photos.
- Delete all photos:in power on mode or when reviewing photos,press“left key”for three seconds to delete all photos in memory.
- Delete single photo:when reviewing photos,press“right key”for three seconds to delete one photo in memory.
- Set power off time:In power on mode,press“right key”for three seconds to select the power off time :15s/25s/off.

### Technical Specifications

LCD screen	2.8 inch	Material	ABS plastic
Resolution	320*240	Vision angle	90°
Memory	Built-in cyclic storage in device	Product Size	Indoor part:127*68*13mm Outdoor part:φ58*13mm
Battery	1.5V AAAX4	Door hole Diameter	14-22mm
Camera	0.3 MP	Door thickness	35-120mm
IR LEDs	2 PCS,850nm	Temperature	-20°C ~55°C

- 3 -

### Products Accessories

Indoor part *1	outdoor part *1	mental Bracket *1
User manual *1	Product warranty card *1	Screws *3

### Safety Precaution

- Non professional,please do not dismantle the device.
  - Do not use this product in high temperature/humidity/salt.
  - Please make sure never to pull the cable fiercely in case to break it.
  - Please use standard model battery. Poor quality battery may lead to the procut damaged or can not be powered on.
- Quality warranty:one year  
Picture is just for reference,good in kind prevail,manufacture reserve the right to improve the appearance and functionality and upgrades without notice.

- 4 -