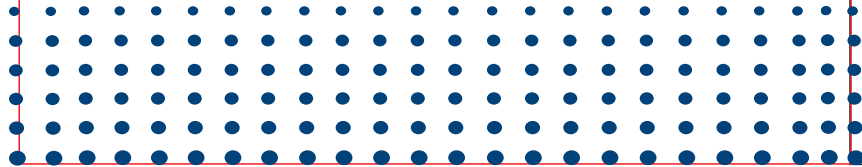




CHINESE AND ENGLISH MANUALS  
中英文说明书



## 一、产品简介

感谢购买本公司门禁系列产品，本产品是非接触式感应门禁一体机，支持密码、刷卡、指纹三种开门方式，具有韦根信号输出、增加卡、删除卡等功能。

### (1) 技术参数

序号	项目	参数
1	工作电压	DC12V
2	静态电流	≤100MA
3	储存容量	500枚指纹 500卡片 1组通用密码
4	读卡距离	3-5cm
5	读卡模式	WG26输出
6	管理卡	可设置增加卡和删除卡

### (2) 功能设置表

长按“#” 1秒 输入123456 进入编程模式	“1”	添加用户
	“2”	修改开门密码（4位）
	“3”	删除单个用户
	“4”	删除全部用户
	“5”	修改开门延时时间
	“6”	恢复出厂设置（系统初始化）
	“7”	设置增加卡
	“8”	设置删除卡
	“9”	修改编程密码

### (3) 灯号说明

1. 待机模式：红灯常亮
2. 验证通过：绿灯常亮
3. 编程模式：蓝灯常亮或者蓝灯闪

## 二、设置及使用方法

注意事项：

1. 每次注册用户都需要输入 3 位编号，一个编号可以同时注册一个有效指纹和一个有效卡。
2. 删除用户时是通过直接删除编号来删除指纹或者有效卡。（登记用户编号）
3. 韦根输出的卡号与注册卡号一致。（编号 001 用户验证指纹或者卡后输出韦根卡号为 001）

注明：初始开门密码 7890，编程密码 123456

### 1、添加有效卡（按照用户编号添加）

长按#号键 1 秒钟 | 输入 6 位编程密码 | 1 | 输入 3 位编号 | 刷卡一次或按指纹 3 次

- +输入 001 +刷卡一次或者按指纹 3 次（亮绿灯，蜂鸣器滴一声，蓝灯闪）
- +输入 002 +刷卡一次或者按指纹 3 次（亮绿灯，蜂鸣器滴一声，蓝灯闪）
- +输入 003 +刷卡一次或者按指纹 3 次（亮绿灯，蜂鸣器滴一声，蓝灯闪）
- +输入 004 +刷卡一次或者按指纹 3 次（亮绿灯，蜂鸣器滴一声，蓝灯闪）
- ...
- +输入编号 N +刷卡一次或者按指纹 3 次（亮绿灯，蜂鸣器滴一声，蓝灯闪）

### 2、修改开门密码

长按#号键 1 秒钟 输入 6 位编程密码 2 输入 4 位新密码 重复输入 4 位新密码

### 3、删除单个用户（只能按照编号删除）

长按#号键 1 秒钟 输入 6 位编程密码 3 输入 3 位用户编号

### 4、删除全部用户

长按#号键 1 秒钟 输入 6 位编程密码 4 重复输入 6 位编程密码

### 5、修改开门延时时间

长按#号键 1 秒钟 输入 6 位编程密码 5 输入 2 位开门时间

注：开门延时为 0-99 秒，默认 3 秒，最长 99 秒。

### 6、恢复出厂设置

长按#号键 1 秒钟 输入 6 位编程密码 6 重复输入 6 位编程密码

### 7、增加卡设置（管理卡，母卡）

长按#号键 1 秒钟 输入 6 位编程密码 7 刷卡

注：使用时直接刷增加卡进入编程模式，可直接按编号添加用户

### 8、删除卡设置（管理卡，母卡）

长按#号键 1 秒钟 输入 6 位编程密码 8 刷卡

注：使用时直接刷删除卡进入编程模式，可直接按编号删除用户

### 9、修改编码密码

长按#号键 1 秒钟 输入 6 位编程密码 9 输入 6 位新密码 重复输入 6 位新密码

### 10、退出编程模式

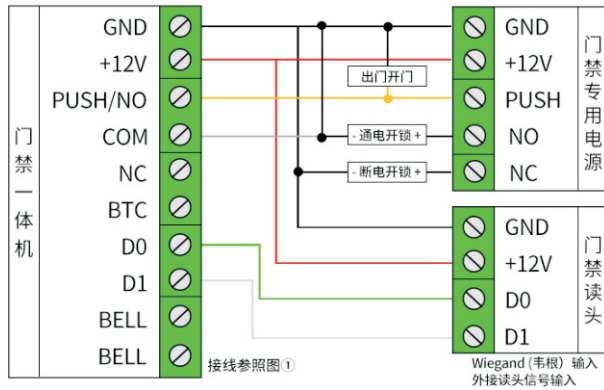
按 # 直接退出编程模式，直接跳到待机模式，无动作 10 秒钟自动退出

## 三、出厂默认设置

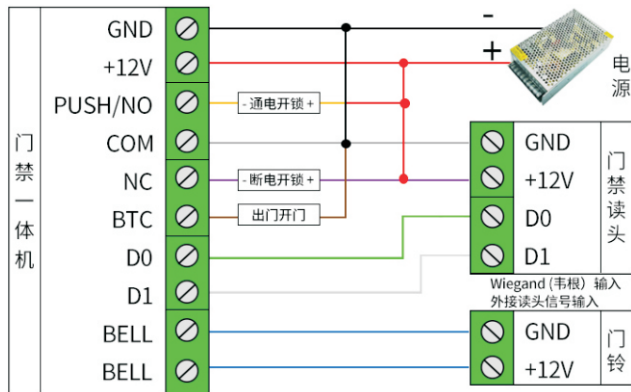
序号	项目	参数
1	编程密码	123456
2	开门密码	7890

## 四、接线示意图

### 1、专用电源接线



### 2、普通电源接线图



### 1. Product Introduction

Thank you for purchasing the company's access control series products. This product is a non-contact induction access control machine. It supports three door opening methods: password, swipe card, and fingerprint. It has Wiegand signal output, add card, delete card and other functions.

#### (1) Light description

1. Standby mode: the red light is always on
2. Verification passed: the green light is always on
3. Programming mode: blue light is always on or blue light flashes

#### (2) Technical parameters

NO.	project	parameter
1	Operating Voltage	DC12V
2	Quiescent Current	≤100MA
3	Storage capacity	500 fingerprints, 500 cards
4	Card reading distance	3-5cm
5	Card reading mode	WG26 output
6	Management Card	Can add cards and delete cards

#### (3) Function setting table

Long press "#" for 1 second, enter 123456 to enter programming mode	"1"	Add user
	"2"	Modify the door opening password
	"3"	Delete a single user
	"4"	Delete all users
	"5"	Modify the door opening delay time
	"6"	Restore factory settings
	"7"	Set add card
	"8"	Set Delete Card
	"9"	Modify programming password

## 2. Setting and usage

### Precautions:

- (1) Every time a registered user needs to input a 3-digit number, one number can register a valid fingerprint and a valid card at the same time.
- (2) When deleting the user, delete the fingerprint or valid card by directly Deleting the number. (Registered user number)
- (3) The card number output by Wiegand is the same as the registered card number. (No. 001 The user outputs the Wiegand card number as 001 after verifying the fingerprint or card)

Note: initial password 7890, programming password 123456

### (1) Add a valid card (add according to user number)

Press and hold the # key for 1 second enter the 6-digit programming password 1 Enter the 3-digit number Swipe the card once or press the fingerprint 3 times

+Enter 001 +Swipe card once or press fingerprint 3 times (green light, buzzer drops, blue light flashes)

+Enter 002 +Swipe the card once or press the fingerprint 3 times (green light, buzzer drops, blue light flashes)

+Enter 003 +Swipe the card once or press the fingerprint 3 times (green light, buzzer drops, blue light flashes)

...

+Enter the number N + Swipe the card once or press the fingerprint 3 times (green light, buzzer drops, blue light flashes)

### (2) Modify the door opening password

Press and hold the # key for 1 second enter the 6-digit

programming password 2 Enter the 4-digit new password

Repeat the 4-digit new password

### (3) Delete a single user (can only be deleted according to the number)

Press and hold the # key for 1 second enter the 6-digit

programming password 3 enter the 3-digit user number

### (4) Delete all users

Press and hold the # key for 1 second enter the 6-digit

programming password 4 Repeat the 6-digit programming password

### (5) Modify the door opening delay time

Press and hold the # key for 1 second enter the 6-digit

programming password 5 Enter the 2-digit door opening time

Note: The door opening delay is 0-99 seconds, the default is 3 seconds, and the longest is 99 seconds.

### (6) Restore factory settings

Press and hold the # key for 1 second enter the 6-digit

programming password 6 Repeat the 6-digit programming password

### (7) Increase card settings (management card, mother card)

Press and hold the # key for 1 second enter the 6-digit

programming password 7 Swipe Card

Press and hold the # key for 1 second enter the 6-digit programming password 7 Swipe Card

Note: When using, directly add the card to enter the programming mode, you can directly add users by number

### (8) Delete card settings (management card, mother card)

Press and hold the # key for 1 second enter the 6-digit programming password 8 Swipe Card

Note: When in use, directly delete the card to enter the programming mode, you can directly delete the user by number

### (9) Modify the coding password

Press and hold the # key for 1 second enter the 6-digit programming password 9 Enter the 6-digit new password Repeat the 6-digit new password

### (10) Exit programming mode

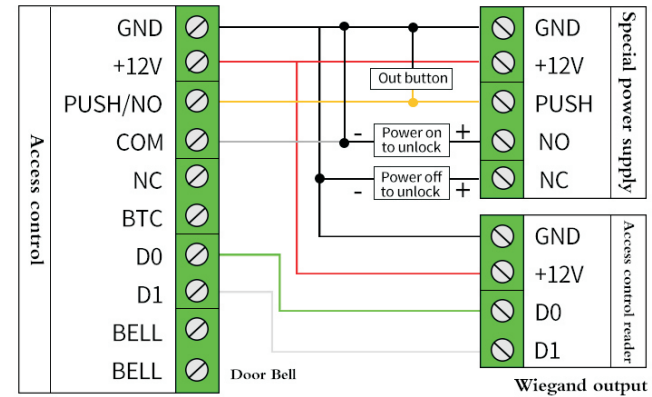
Press # to directly exit the programming mode, jump directly to the standby mode, and automatically exit after 10 seconds of no action

### 3. Factory default settings

NO.	project	parameter
1	Programming password	Programming password
2	Door open password	Door open password

## 4. Wiring diagram

### (1) Wiring diagram of special power supply



### (2) Wiring diagram of ordinary power supply

