

Quantum Brushless Motor

Brand Name: Quantum

Item Name: D3530 Motor

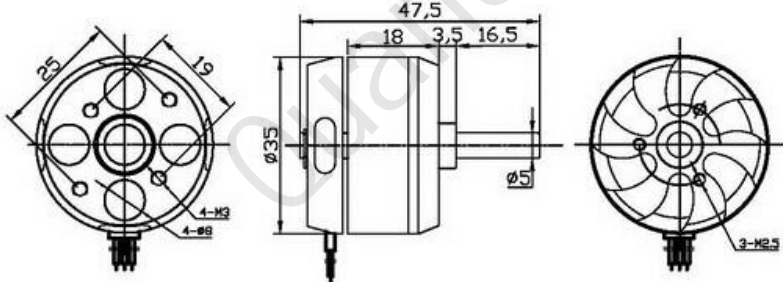
KV: 1100KV/1400KV/1700KV

Pull: 1240g/1180g/1100g

Motor size(mm): $\Phi 35 \times 30$

Battery: 2-4s Lipo

Recommended ESC : 50A



Order No.	Model	Motor size	Shaft size	Weight	KV (rpm/v)	Max Power	Battery	Prop	Ri(M Ω)	ESC(A)
280808	D3530-8	$\Phi 35 \times 30 \text{mm}$	$\Phi 5.0 \times 47.5 \text{mm}$	74g	1700	460W	2-4Li-Po	7x4/6x6	0.040	50A
280810	D3530-10				1400	430W		8x4/9x4.5	0.051	
280814	D3530-14				1100	315W		10x4.7/9x5	0.077	