

## Quanum Brushless Motor

Brand Name: Quanum

Item Name: D3548 Motor

KV: 1100KV/900KV/790KV

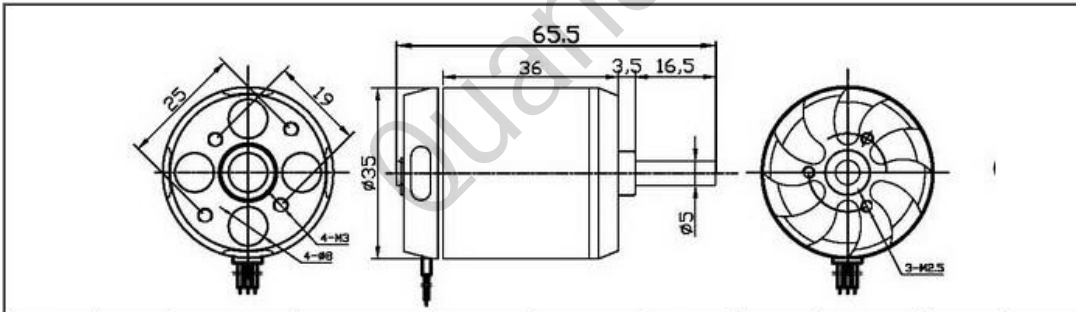
Motor Dimensions(Dia.\*Len):  $\Phi 35 \times 48 \text{mm}$

Weight (g): 156g

No.of Cells(Lipo): 3-5S

Pull: 2150g/1780g/1650g

Recommended ESC: 70A



Order No.	Model	Motor size	Shaft size	Weight	KV (rpm/v)	Max Power	Battery	Prop	Ri(M $\Omega$ )	ESC(A)
282604	D3548-04	$\Phi 35 \times 48 \text{mm}$	$\Phi 5.0 \times 65.5 \text{mm}$	156g	1100	911W	3-5Li-Po	12x6/11x8	0.023	70A
282605	D3548-05				900	770W		13x7/12x7	0.036	
282606	D3548-06				790	717W		13x8/12x6	0.040	