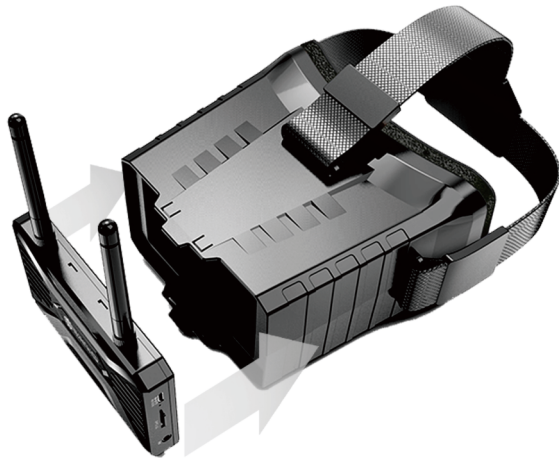




VR004
5.8G 4.3Inch FPV Goggle





Company: Lotus NL B.V.
Address: Koningin Julianaplein 10, 1e Verd, 2595AA, The Hague,
Netherlands.
E-mail: peter@lotusnl.com
Tel: +31644168999



MADE IN CHINA



Technical parameter

Size	4.3 inch
Material	IPS high light,full-view
Resolution	800×480Px
Brightness	500Lux
Receiver	-90db
Frequency	40
DVR system	Autonomous system
DVR Function	Supporting replay
DVR Mode	VGA/D1/HD available
Storage medium	TF card
Storage standard	C10, Maximum supporting 32G
Loudspeaker	High fidelity, stereo speakers
Battery material	3.7V Polymer battery
Battery capacity	1200mAh
Working hours	» 2 hours
Size	155*152*96mm (antenna not included)
Weight	350g
Charging	Micro USB
Input voltage	Wide voltage DC 5-23V , support 2S-6S supply
Language	English,German,French,Spanish,Italian,Chinese, Russian,Japanese
Connectors	RP-SMA female(outer needle)
Antennas Connectors	RP-SMA male (inner hole)
Working temperature	-10°C~+ 65 °C

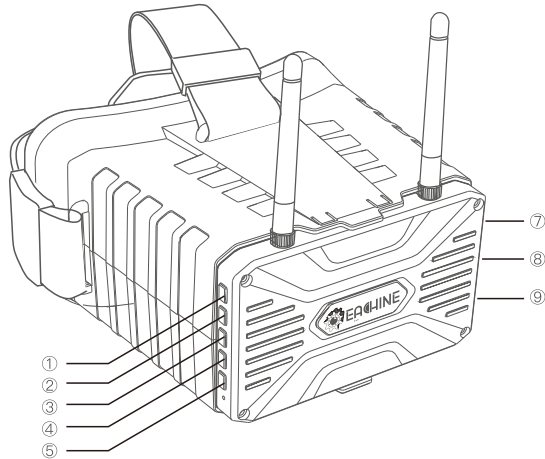
Features:

- *Built-in AV output
- *Small and light weight
- *Support video playback
- *Three video recording modes
- *360-degree all-view HD display
- *Built-in 5.8Ghz receiver for best reception
- *Auto-searching function for simple operation
- *5 Bands and total 8 Channels,40 frequency channel
- *Work friendly with OSD easily knowing device condition.
- *1200mAh high-capacity battery for 2 hours working time
- *5-23V wide voltage range,support 2-6S lipo battery to charge the Goggle
- * Disassembled design. 4.3 inch screen can be used as a fpv monitor on rc controller.

Frequency Table(MHZ)

GROUP \ CH	Ch1	CH2	CH3	CH4	CH5	CH6	CH7	CH8
Band A	5865	5845	5825	5805	5785	5765	5745	5725
Band B	5733	5752	5771	5790	5809	5828	5847	5866
Band E	5705	5685	5665	5645	5885	5905	5925	5945
Band F	5740	5760	5780	5800	5820	5840	5860	5880
Band R	5658	5695	5732	5769	5806	5843	5880	5917

Notice: It can't receive 2 different channels at the same time,
Not affect by 2.4GHz R/C Radios



Operation Instructions

1.KEY

- ① Power/MENU
Press 3s to turn on or turn off
Short press to enter MENU
- ② Search
A key to search signal automatically
- ③ CH+
Default mode,click the CH+ for the CH1-8 choose
- ④ BAND+
Default mode,click the BAND+ and select A,B,E,R,F
- ⑤ Rec
Press the button and start to record ,then press again to save the video

2. JACK

- ⑦ AV:AV output
- ⑧ TF card: Support up to 32G
- ⑨ Micro usb:
The monitor support DC5-23V wide voltage,it can be charged with USB or by 2-6S lipo battery,which is very suitable for long-time fight.

3. Battery

Built-in 3.7V 1200mAh high-capacity polymer battery

4. DVR Mode

*Enter DVR

Short press Power button to enter MENU, and select DVR, then press CH+ to choose DVR mode.

