

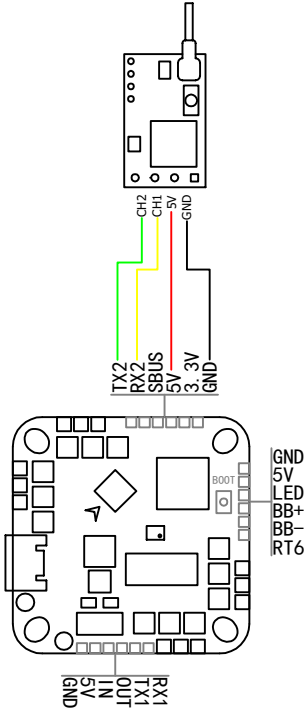
CLOUD-149 V2 Manual I

CLOUD149V2 PNP, 如部分零件尺寸和外形作出修改, 以实际的产品尺寸为准。
CLOUD149V2 PNP, some of the parts size and shape to make changes to the actual product size prevail.

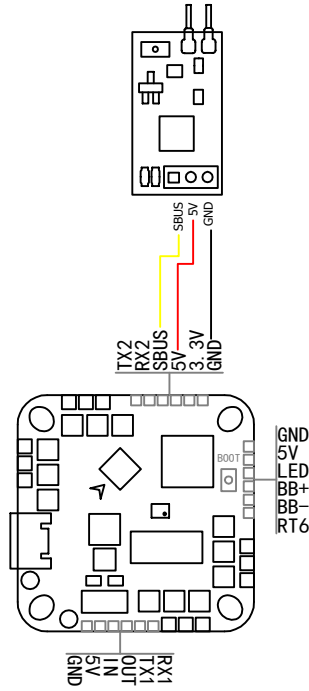
AGES
14+

WARNING!
rotating parts may cause injury

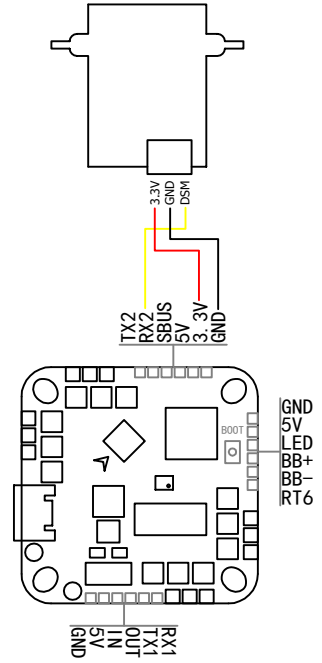
TBS NANO



XM+



DSMX



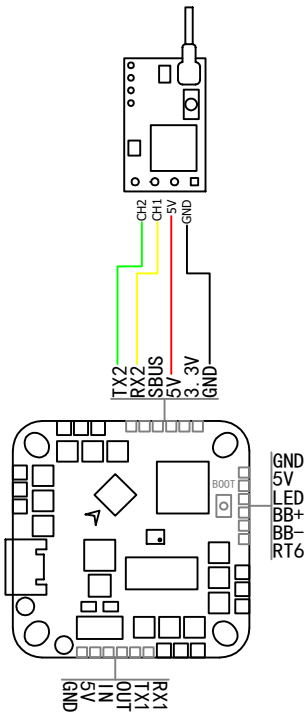
CLOUD-149 V2 Manual I

CLOUD149V2 PNP, 如部分零件尺寸和外形作出修改, 以实际的产品尺寸为准。
CLOUD149V2 PNP, some of the parts size and shape to make changes to the actual product size prevail.

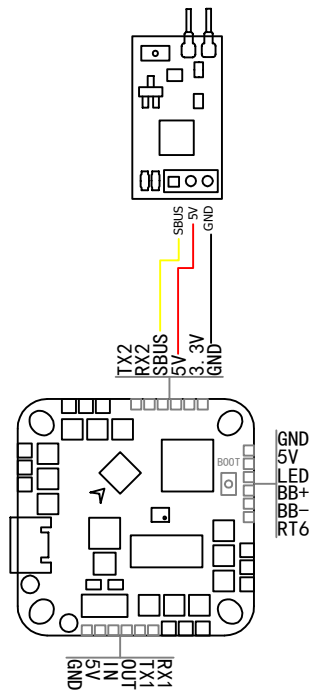
AGES
14+

WARNING!
rotating parts may cause injury

TBS NANO



XM+



DSMX

