

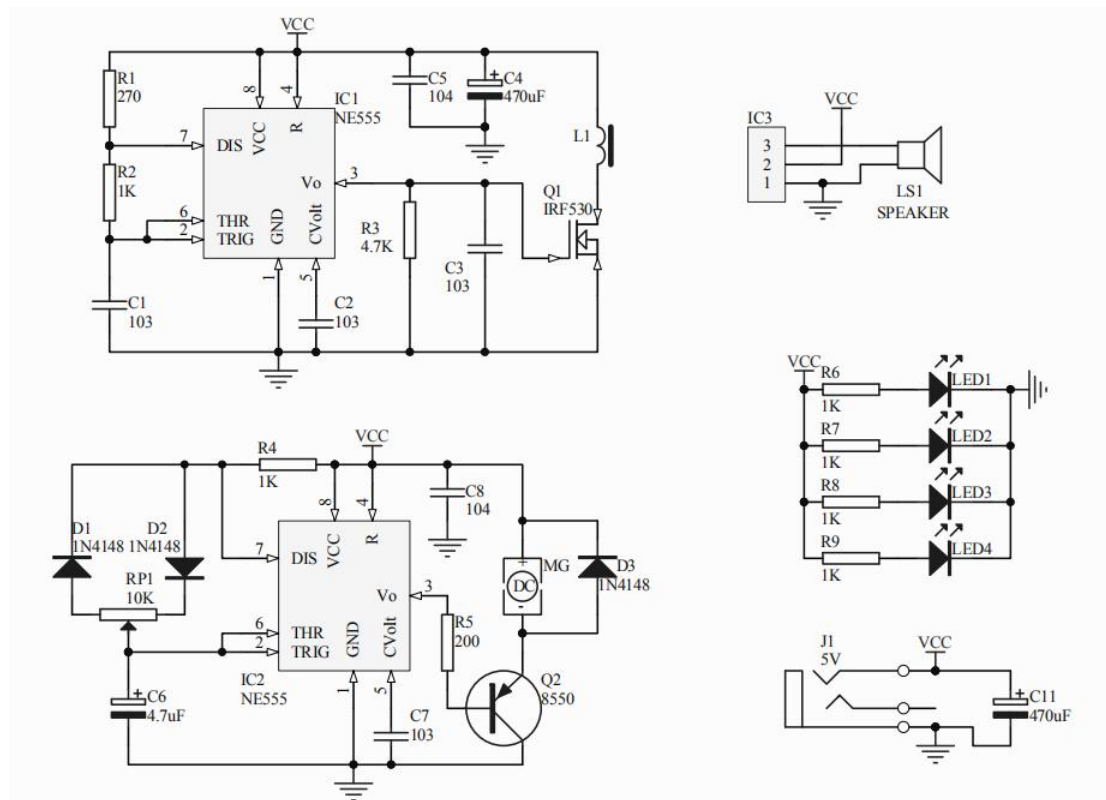
Three-dimensional rotating Christmas tree instructions

(TJ-56-499)

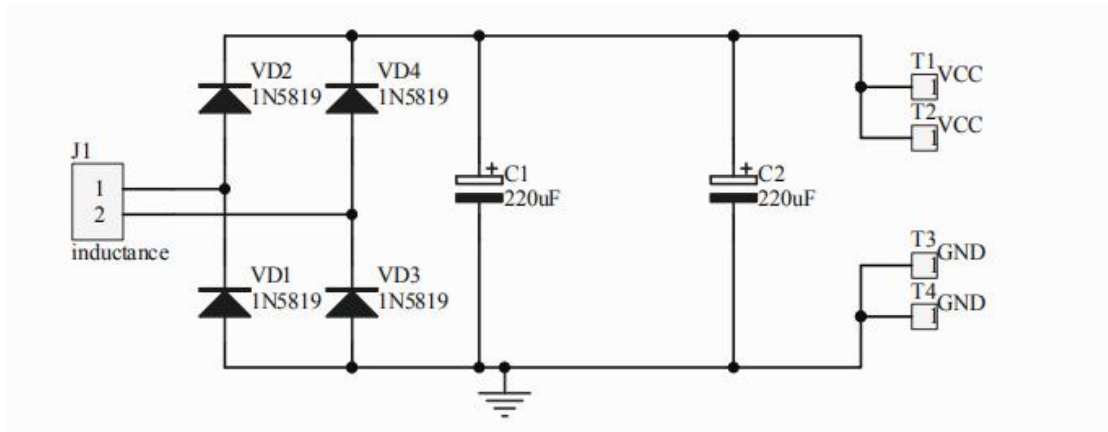
Function description: Power supply voltage: DC 5V, power supply with DC5 power plug, positive inside and negative outside. The circuit is mainly composed of a wireless power supply board, a wireless receiving board, and two Christmas tree circuit boards. The wireless power supply part is mainly composed of a NE555 oscillating circuit that outputs a square wave signal of about 50kHz to drive the field effect tube IRF530. The primary coil and the secondary coil on the receiving board and the magnetic ring form a switching transformer. The FET is used to control the primary coil to generate a high-speed alternating magnetic field, thereby inducing alternating current on the secondary coil and providing it to the three-dimensional Christmas tree after full-wave rectification. use.

Circuit diagram

Base board:



Receiving board:



Component list:

Wireless power supply board components list							
Marked	Name	Spe.	QTY.	Marked	Name	Spe.	QTY
R2 R6-9	In-line color ring resistance	1K	5	C5 C8	Ceramic capacitor	104	2
R1	In-line color ring resistance	270	1	C4 C11	In-line electrolytic capacitor	470uF	2
RP1	Vertical blue and white adjustable resistor	10K	1	C6	In-line electrolytic capacitor	4.7uF	1
R5	In-line color ring resistance	200	1	D1 D2 D3	In-line diode	1N4148	3
R3	In-line color ring resistance	4.7K	1	Q1	In-line transistor	IRF530	1
R4	In-line color ring resistance	47K	1	Q2	In-line triode	8550	1
C1 C2 C3 C7	Ceramic capacitor	103	4	J1	DC Block	DC-005	1
IC1 IC2	In-line integrated circuit	NE555	2	LS1	buzzer	Passive	1
IC3	Music triode		1		IC Block	8P	2
LED1-4	5MM in-line LED	Colorful	4		Primary coil base		1
	Primary coil		1		screw	M1.6*8	2
	DC	RF300	1		Nut	M2	2
	screw	M2*8	2		Double pass copper pillar	M3*20	4
	screw	M3*6	4				

Wireless receiving board component list							
Marked	Name	Spe.	QTY.	Marked	Name	Spe.	QTY
VD1-VD4	In-line diode	1N5819	4	C1 C2	In-line electrolytic capacitor	220uF/25V	2
	Secondary coil		1		Magnetic ring	5.9X6.2	1
	Magnetic ring seat		1		Self-tapping screws	M1.6*5	2
	USB to DC cable	DC2.1*80CM	1				

A board

name	model	number	QTY.	name	model	number	QTY.
resistance	300R	R2/R4/R6/R7	4	LED	3MM colorful light-emitting diode	D1-D18	19
resistance	4.7K	R1/R3/R5	3	capacitance	47uf	C1/C2/C3	3
Triode	9014	Q1/Q2/Q3	3	PCB board	1	A board	1

B board

name	model	number	QTY.	name	model	number	QTY.
resistance	300R	R2/R4/R6	3	LED	3MM colorful light-emitting diode	D1-D18	18
resistance	4.7K	R1/R3/R5	3	capacitance	47uf	C1/C2/C3	3
Triode	9014	Q1/Q2/Q3	3	PCB board	1	B board	1