

Manual

Specification:

Product type: active filter pre-stage tuning board, using NE5532 chip, can replace OP275, AD828, NJM4558, TL072 and other general dual operational amp lifiers.

Working voltage: DC9-24V(5.0 * 2.1mm core input, 2P input)

Output power: Rated power 2 * 770MW stereo (24V/32 Ohm) can be connected with more than 32 Ohm load

Output mode: 3.5mm audio terminal

Input mode: 3.5mm audio terminal, 3P 2.54mm wiring terminal, 6P 2.5mm seat

Size: 72 x 53mm

Weight: 54g

Performance indicators:

Signal-to-noise ratio: 98dB

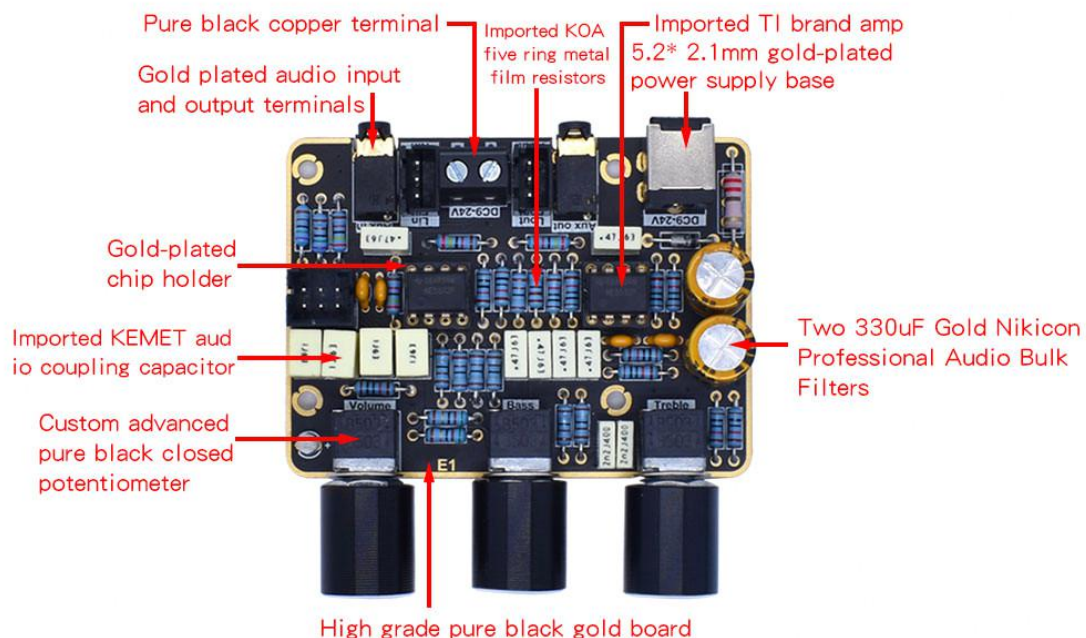
Total harmonic distortion plus noise: $< 0.01\%$

Frequency response: 20-20kHz

Low static current

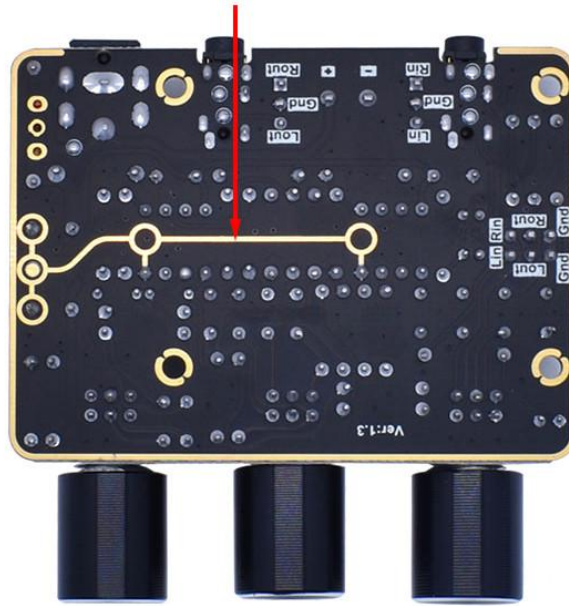
Noise suppression

Bass 100Hz /+ -8dB gain adjustment

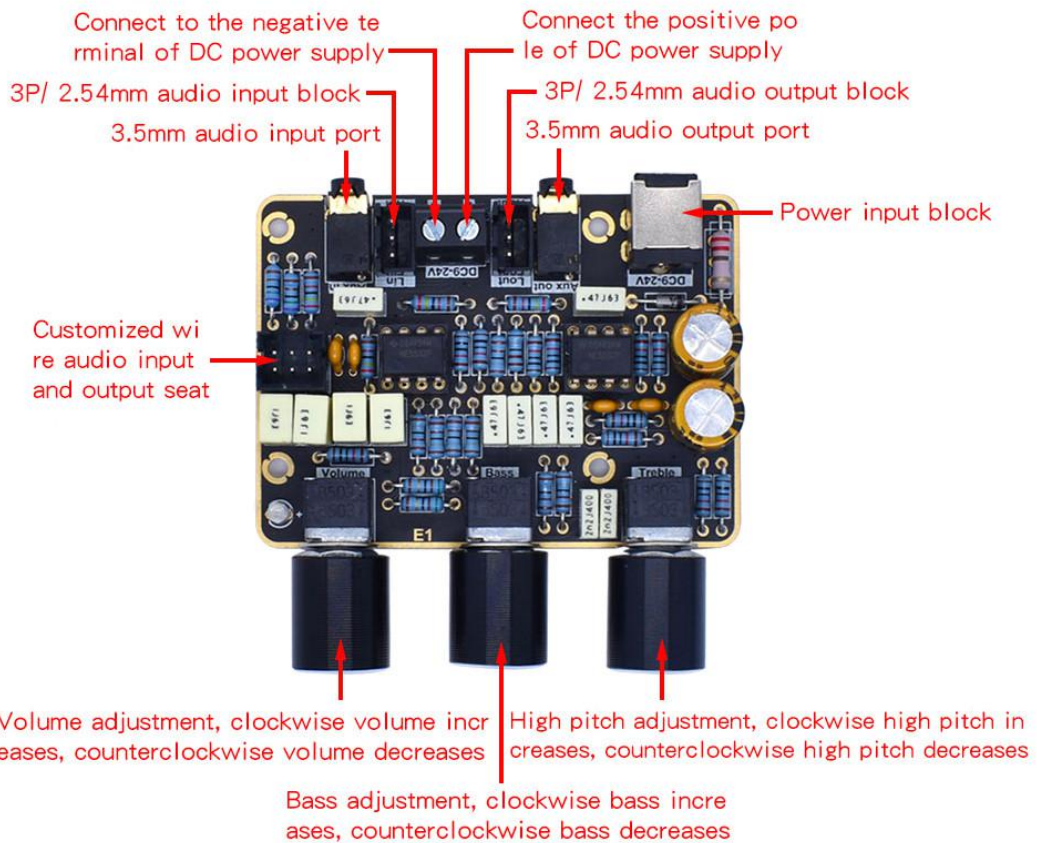


Optimization:

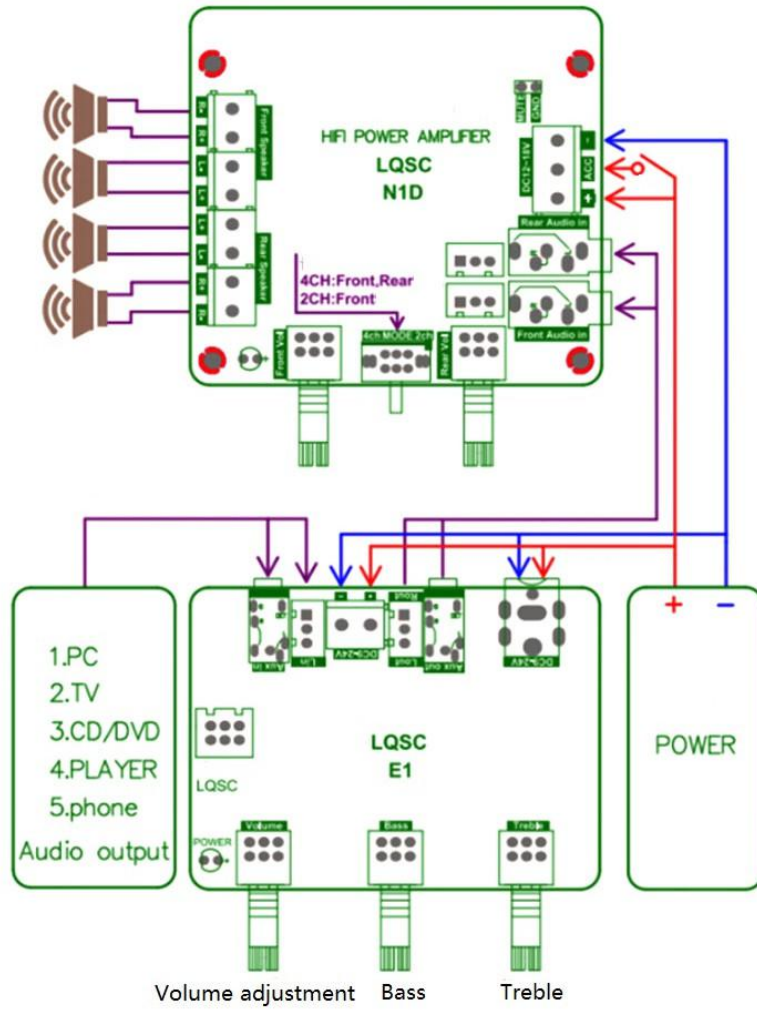
Optimize ground zero level processing, eliminate bottom noise



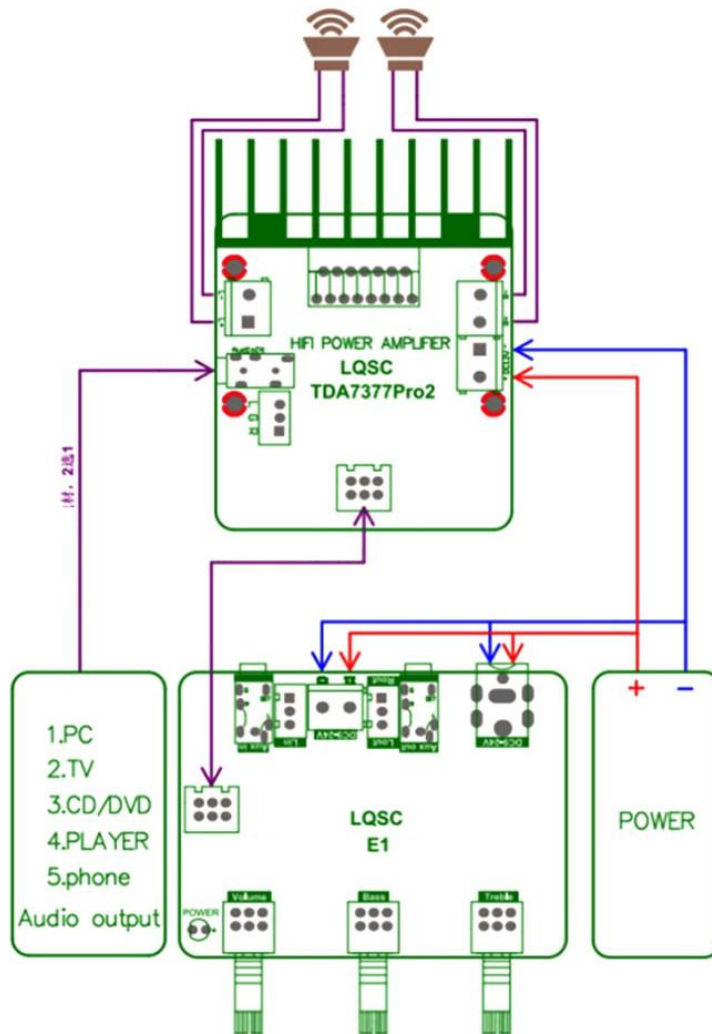
Function definition:



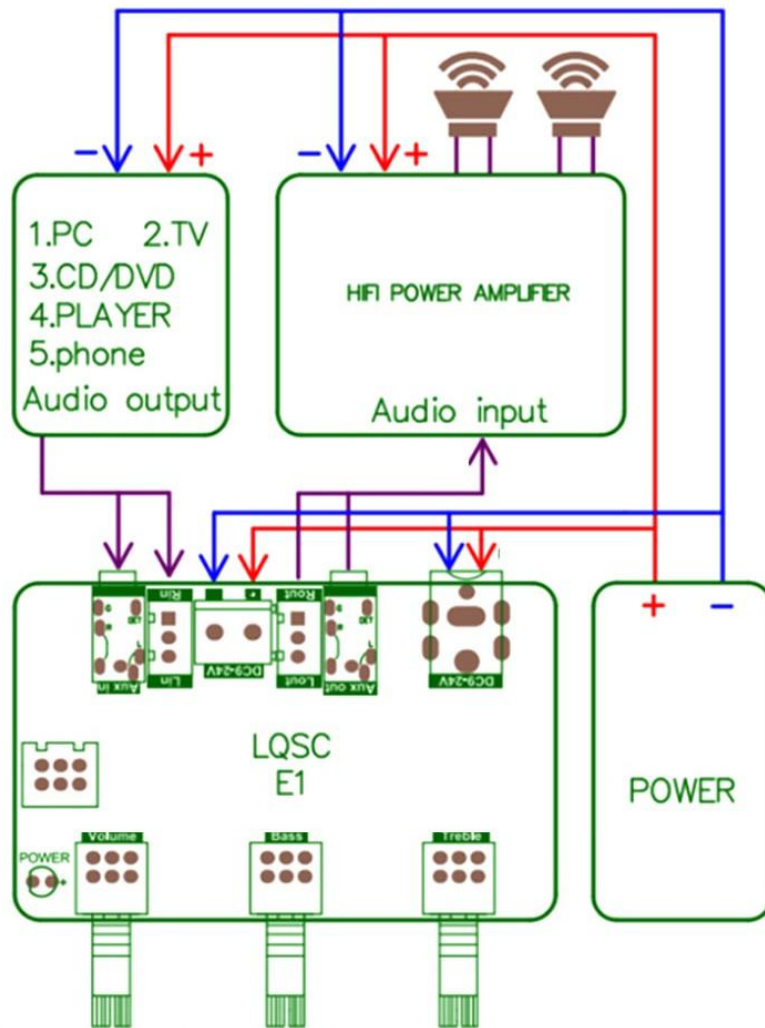
Wiring method with our TDA7850 quad-channel power amplifier



Wiring method with our TDA7377PRO2 power amplifier



Wiring method used with power amplifier



Product size

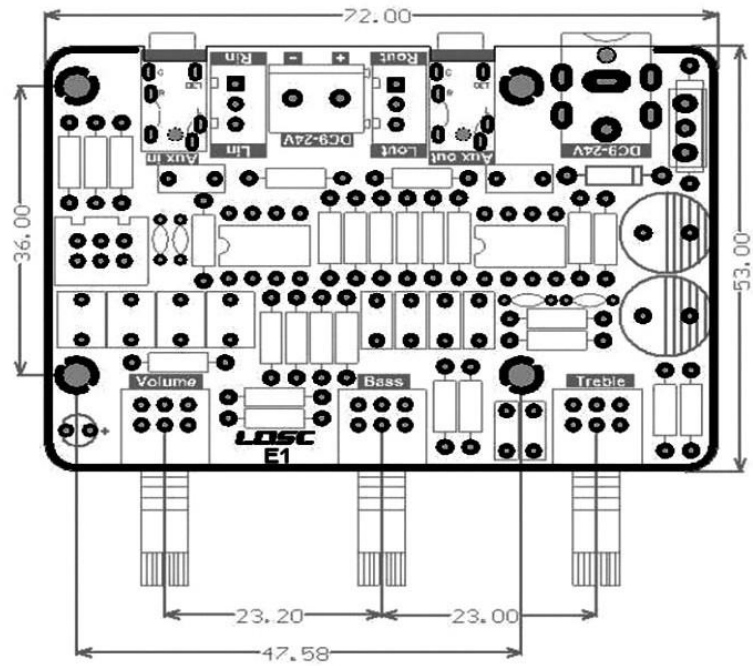
PCB: 72mm*53mm (length*width)

Overall: 72*53mm*15mm(length*width*height)

Potentiometer screw handle hole: 7mm

Mounting hole spacing: 47.58mm*36mm

Mounting hole size: M3



Weight: 54g