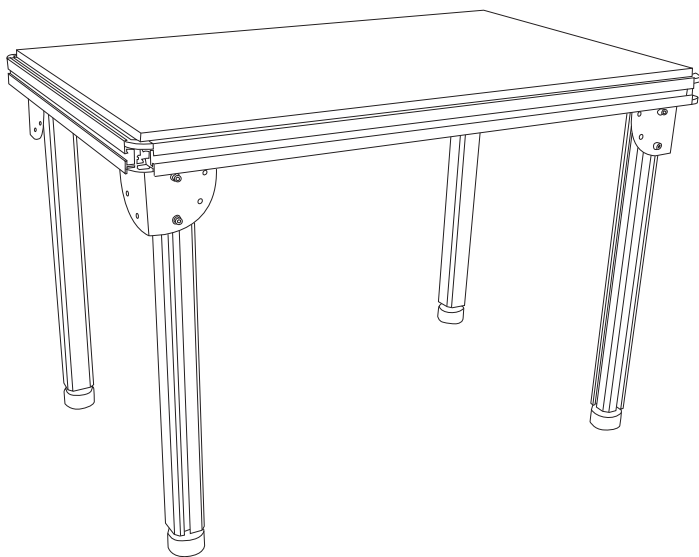




工作台/双层导轨/配件
用户使用说明书

The instructions



前 言

感谢您选择吴新工具。按照本使用说明书规定使用，您可以无故障的使用很多年。使用说明书中的参数，图纸和图片仅代表工具目前的状态。我们会持续不断的改进和完善，工具会升级和改进，请恕升级后不能一一通知。

安全警告

使用工具之前请佩戴防护眼镜，戴好口罩，避免异物进入眼睛和肺。请时刻保持警觉和对工具的控制！并时刻注意您的操作与运用常识！疲劳时及饮酒后请勿操作工具。请保留并经常参阅本使用说明书。

目 录

产品简介	1
工作台安装	2-3
电圆锯/雕刻机双层导轨	4
电圆锯底板的安装	5-7
对线器/限位块的调节及使用	8-9
升降导轨的安装	10-12
重复切割配件	13-14
限位块在斜切中的应用	15-16
直角切割配件	17
雕刻机/修边机配件的安装	18-20
雕刻机/修边机铣槽	21-22
雕刻机/修边机铣圆	23
工具保养	24

产品简介

◎主要产品包括（以下均为选配件，请用户按需选购）

A:工作台

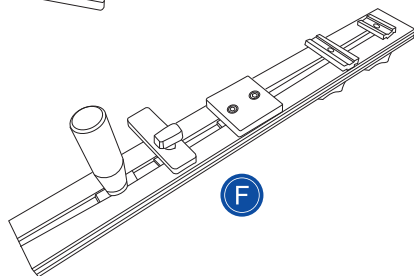
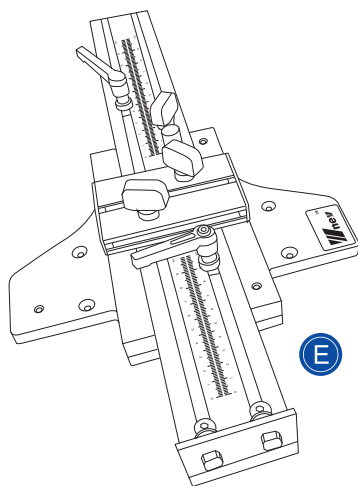
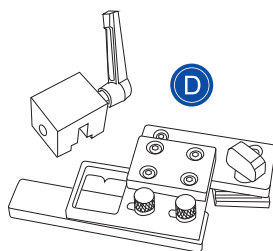
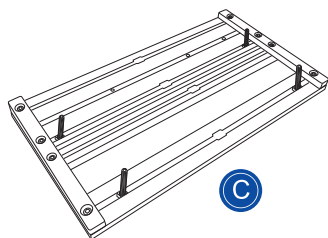
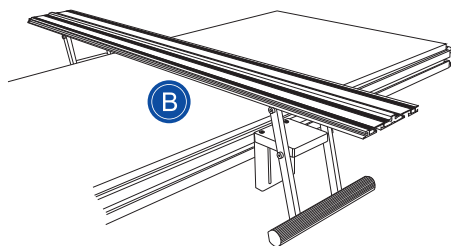
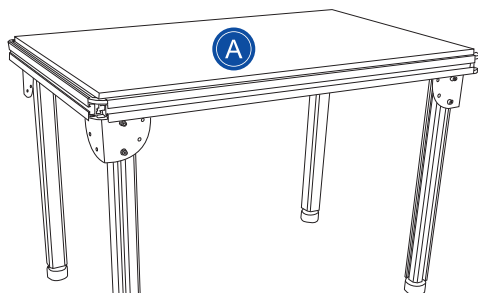
B:双层导轨及升降

C:电圆锯正装底板

D:重复切割配件

E:雕刻机正装配件

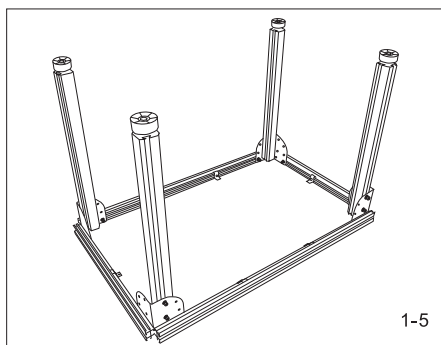
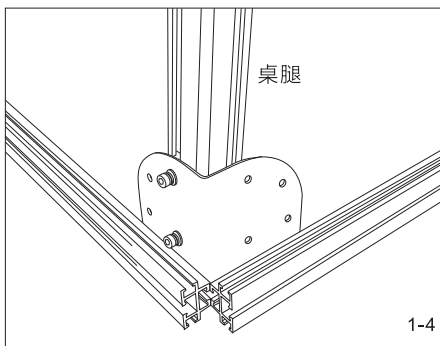
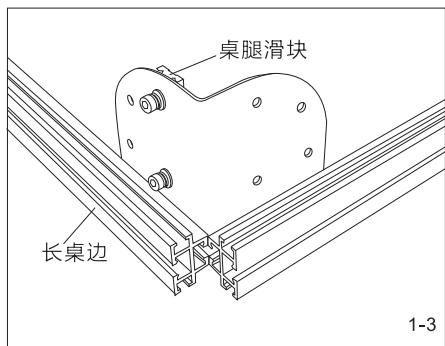
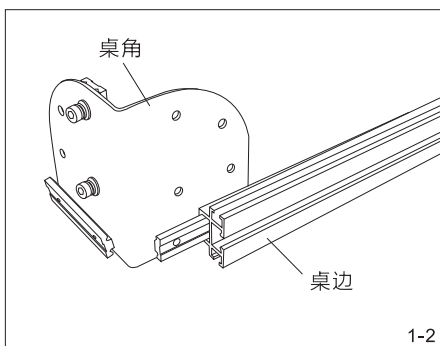
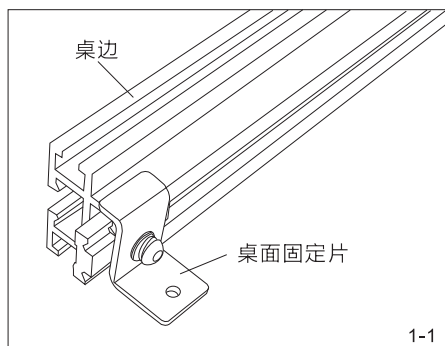
F:直角切割配件



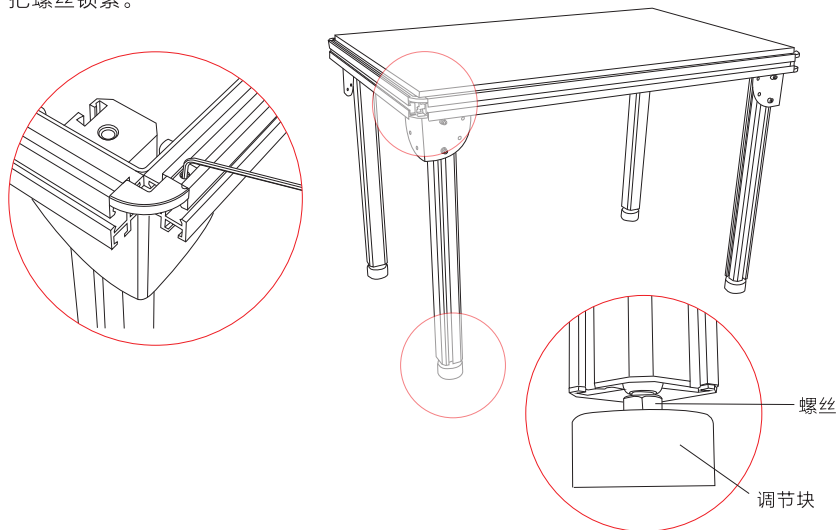
工作台的安装

先把桌面固定片装到桌边的凹槽里面如图1-1所示，然后把桌边与桌角相连接（图1-2），桌角的两边分别连接长短桌边（图1-3），连接好后把滑块上的螺丝半锁紧。**注意：**一般把桌腿装在长桌边所以装桌角的时候，带有装桌腿滑块的一边装长桌边。

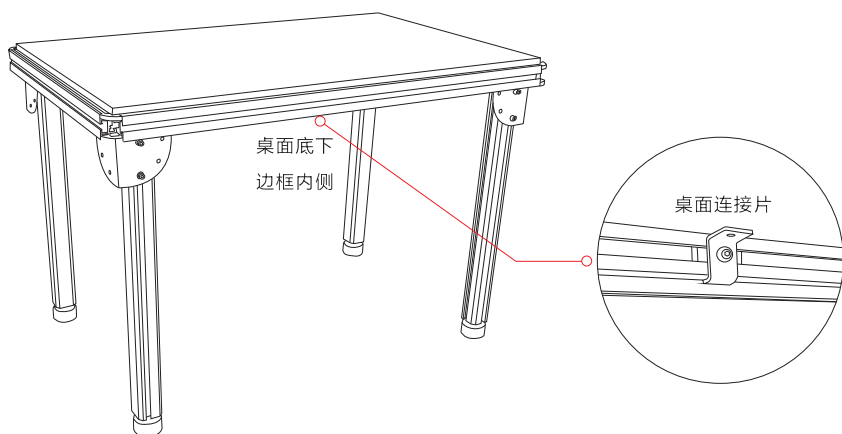
四条桌边跟四个桌角都连接好以后，调整桌边到桌角的距离，使长短桌边刚好相交再把螺丝锁紧，接着把滑块装到桌腿的滑槽里（图1-4），并把螺丝锁紧，装好后如图1-5所示。



桌子安装好以后再把桌子的护角装上如下图所示，护角一共有8个，每个角各2个，分别装在桌角的上下边上，桌子的水平可以通过旋转桌腿下端调节块来进行，调整完成后再用板手把螺丝锁紧。



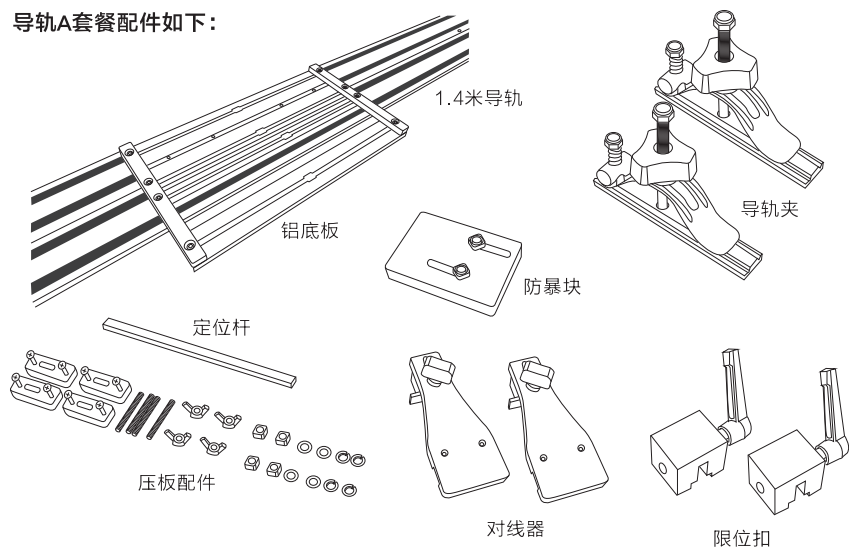
根据需要选择厚度为20mm或25mm或15mm双层，长为1220x738mm的桌面（材质建议免漆多层板，密度板）放到装好的支架上面，并把桌面连接片调整到合适的位置锁紧，再用自攻螺丝拧到桌面上，如果需要延长桌面，可以安装副支架（**选购**）。



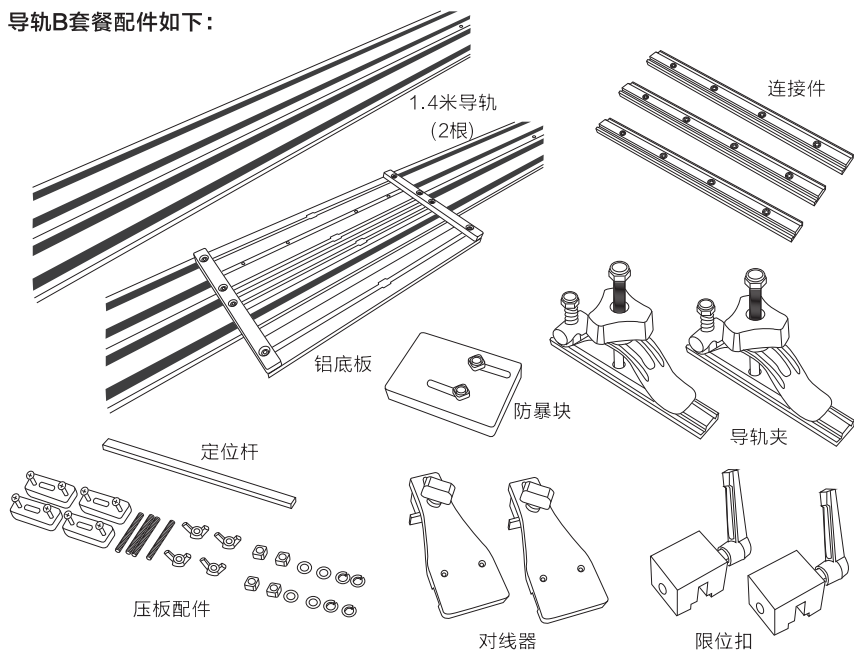
电圆锯、雕刻机双层导轨

导轨有A、B两个套餐，请用户按需购买

导轨A套餐配件如下：

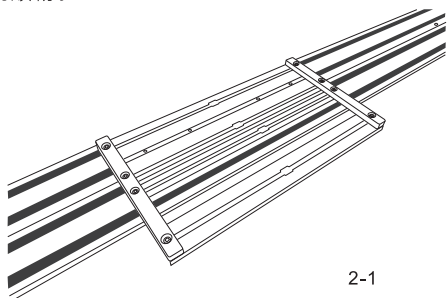


导轨B套餐配件如下：

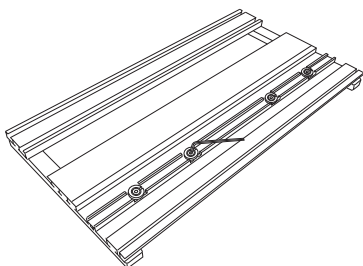


电圆锯底板的安装

把电圆锯专用底板放到双层导轨上面检查配合的紧密度（图2-1），如果有间隙，可以把底板反过来，底板上有四个调节圈，用板手调节松紧度（图2-2），使其与导轨间隙约为0.1mm，并滑动顺畅。

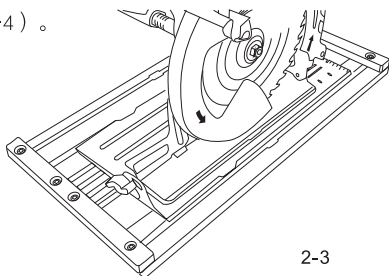


2-1

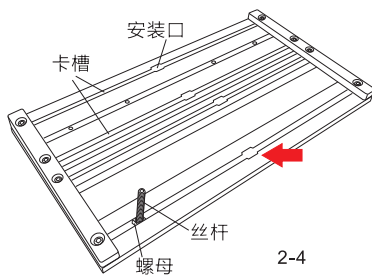


2-2

把电圆锯放到专用底板上面（图2-3），底板上有四条带安装口的卡槽（图2-4），对比后选择合适的卡槽用来固定电圆锯，把丝杆拧到螺母上，螺母通过安装口放进选好的卡槽内（图2-4）。

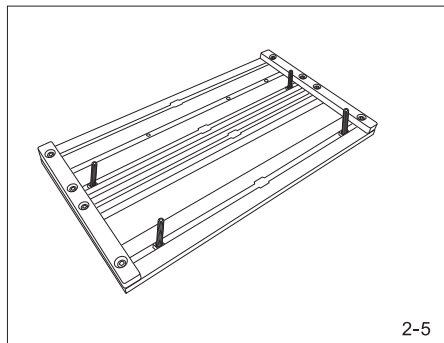


2-3

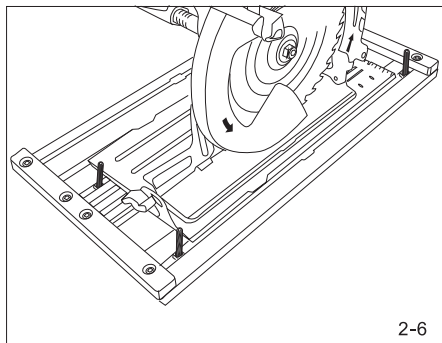


2-4

四个丝杆都装好后（图2-5），把电圆锯放到专用底板上（图2-6）。

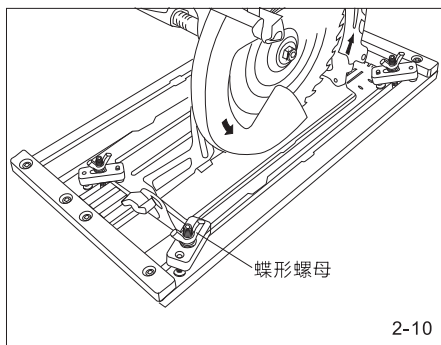
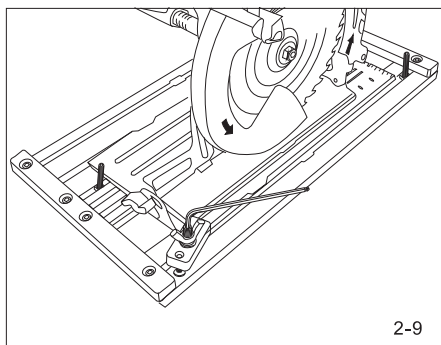
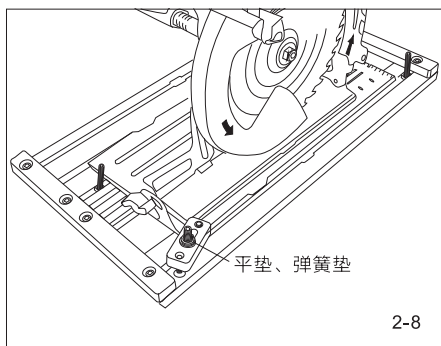
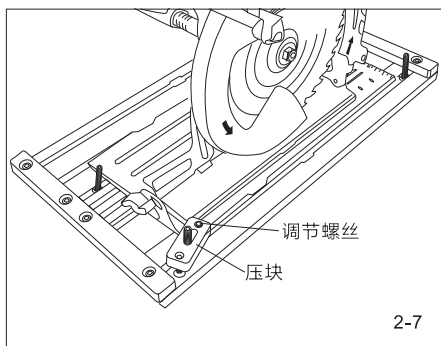


2-5

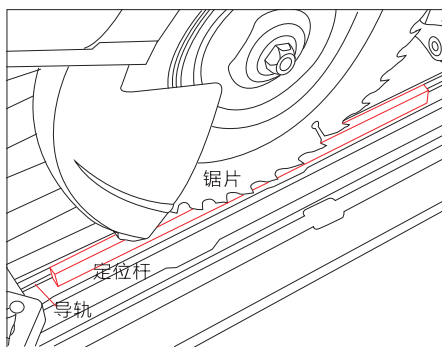
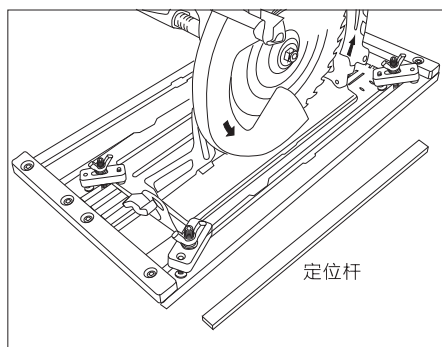


2-6

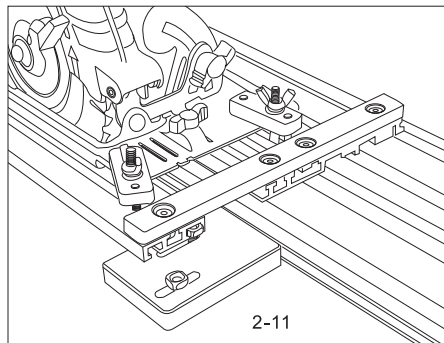
在丝杆上分别放上压块（压块上有两个调节螺丝，可根据电圆锯底板的厚度进行调节图2-7）、平垫，弹簧垫（图2-8）蝶形螺母，调整好电圆锯的位置后把丝杆锁紧（图2-9）并把蝶形螺母半锁紧（图2-10）。



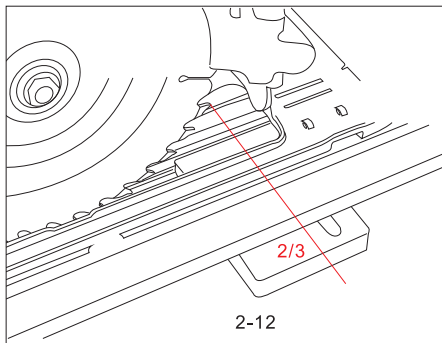
把定位杆放在电圆锯锯片跟导轨之间，轻推电圆锯使锯片与导轨夹紧定位杆，然后把四个压块上面的蝶形螺母完全拧紧，取下定位杆，至此，电圆锯与导轨的平行调整完成，电圆锯与专用底板的安装也完成。



防爆块的安装：把防爆块装到专用底板底下的槽内，防爆块上有两个螺丝，分别对应底板上的两条槽（图2-11），电圆锯锯齿在防爆块内大概超过2/3的位置（图2-12）。

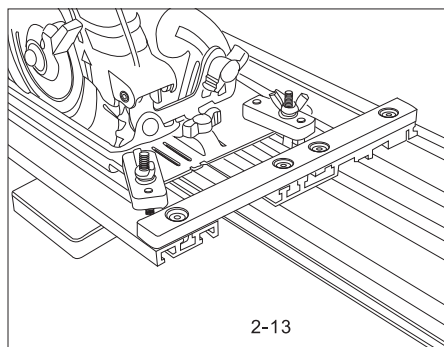


2-11

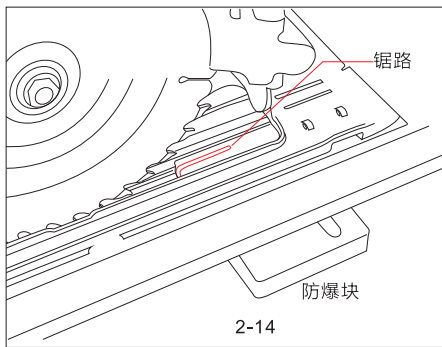


2-12

固定好防爆块后，启动电圆锯，把圆锯下压一直锯到最大切深（图2-13），在防爆块上锯出一条锯路（图2-14）防爆块安装完成，防爆块能有效地防止木板崩边。

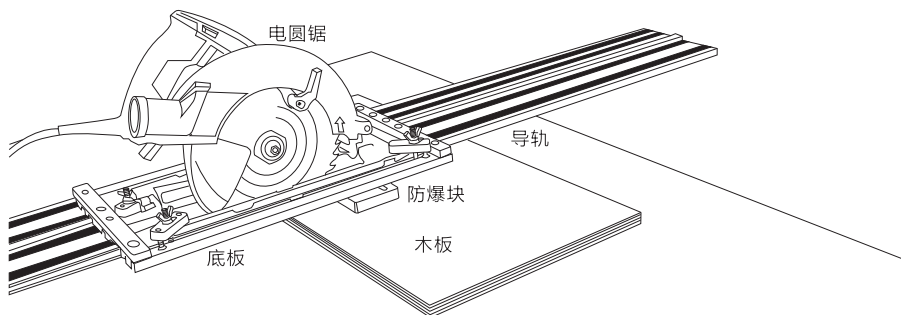


2-13



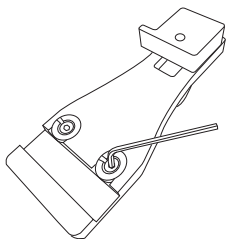
2-14

安装好后放到导轨上面，效果如下图所示，使用导轨能安全、方便、快捷的切割直线。

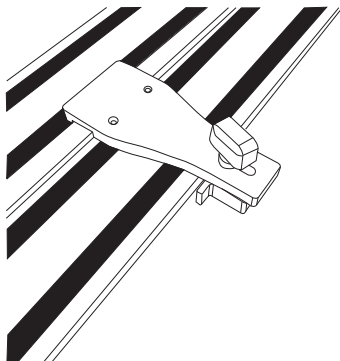


对线器、限位扣的调节及使用

调节对线器底下的调节圈如图3-1，使其与导轨配合紧密无缝隙如图3-2。

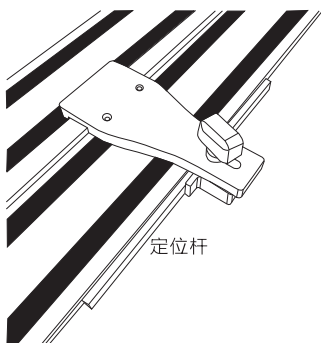


3-1

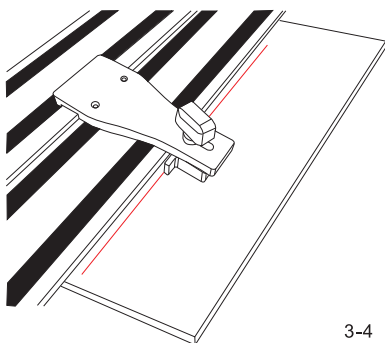


3-2

①如锯切时从木板左边量起，对线器与导轨之间放入定位杆，如图3-3所示，并锁紧把手，对线器调节完成，使用时对准木板上画的线如图3-4所示。

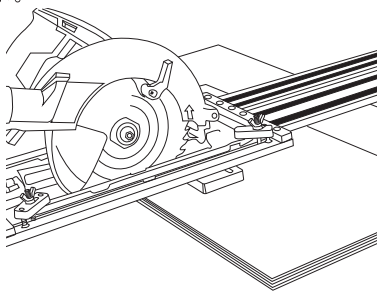


3-3

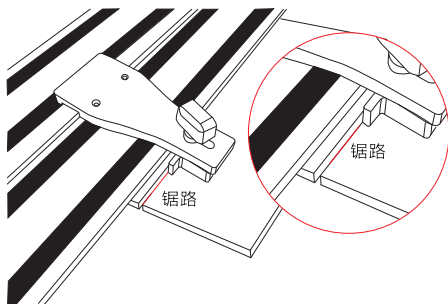


3-4

②如锯切时从木板右边量起，先用电圆锯在废木板上锯一锯路如图3-5所示，对线器对准锯路的右边，如图3-6所示，并锁紧把手，对线器调节完成，使用时对准木板上画的线如图3-4所示。

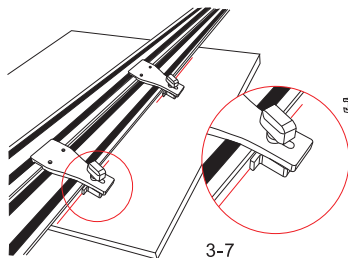


3-5

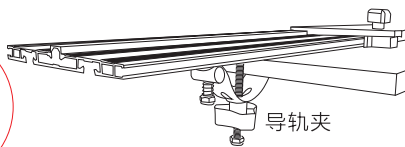


3-6

木板的两端按所需尺寸定两个点画线，导轨放到木板上面，两个对线器分别对准两条线如图3-7所示，用导轨夹把导轨跟木板夹在一起（导轨两端各夹一个），如图3-8所示。

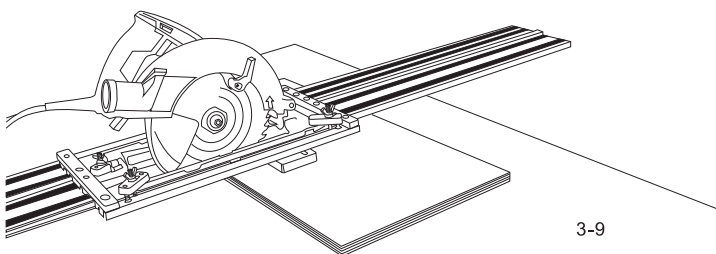


3-7



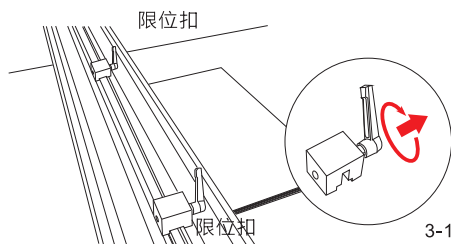
3-8

取下对线器，把电圆锯放到导轨上即可进行切割，如图3-9所示，使用对线器可方便、快速、精准地对线，为下一步精准切割做准备。



3-9

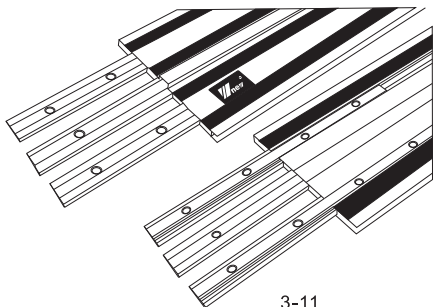
如需对切割的长度进行限位，可以在导轨上加装限位扣，如图3-10所示。



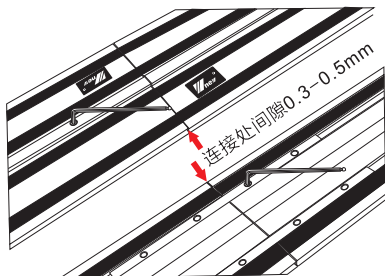
3-10

◀ 如果限位扣锁紧时把手会被导轨挡住，可以先把限位扣的把手向右拉起，然后旋转到合适的位置再放下。

如需两根导轨连接，把连接接杆插入导轨相应的槽内3-11，再把两根导轨连接3-12，注意连接处间隙为0.3-0.5mm，再拧紧螺丝即可。



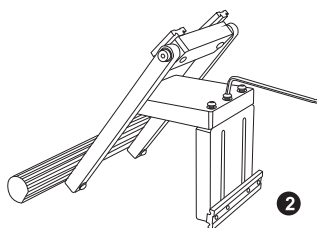
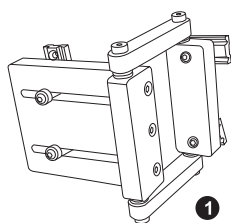
3-11



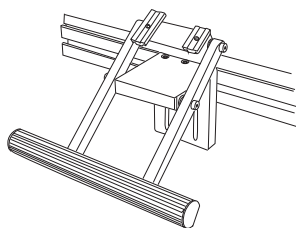
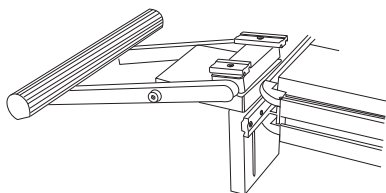
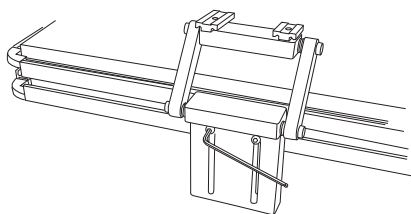
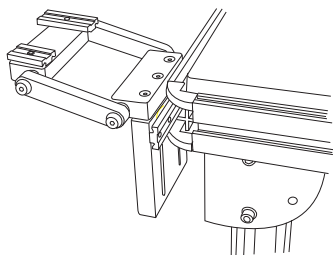
3-12

升降导轨的安装

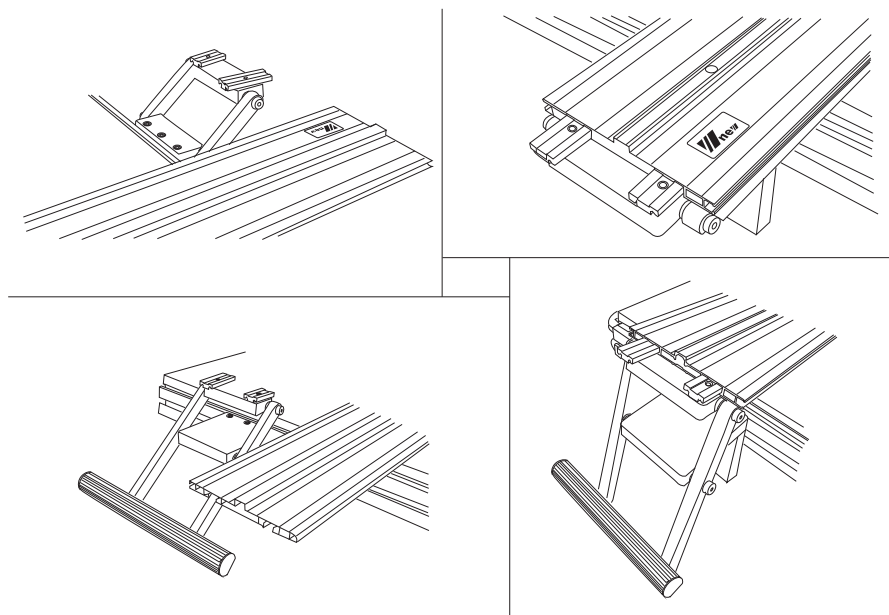
升降配件主要有两组，分别装在桌子的两边，其中一个带有操作把手如下图所示。



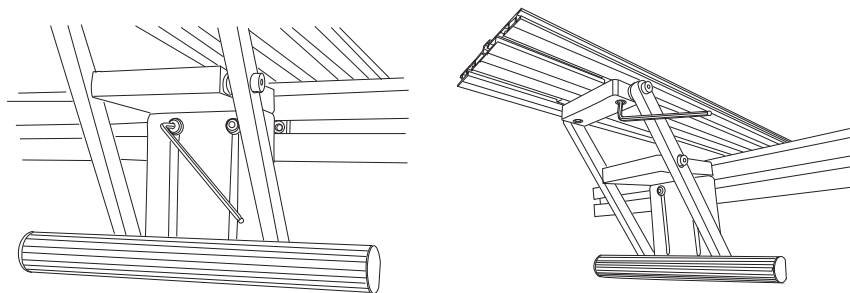
把两个升降配件分别装在桌子的两边，上面有三个滑块，长滑块装在桌边的滑槽内，短滑是用来装导轨的，装入滑槽后调整到适当位置先把螺丝半锁紧。



接着把导轨装到升降配件上面，导轨底面有两条滑槽对应升降配件上的滑块，先装好一边再装另一边，调整好导轨的位置，基本在桌面的中间即可。



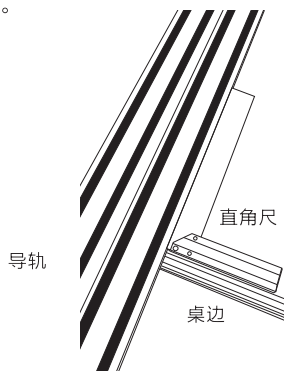
调整导轨使之与桌边垂直，然后把升降配件与桌边框锁紧，先锁紧带把手的升降配件如图4-1，然后再把升降配件与导轨锁紧，如图4-2。



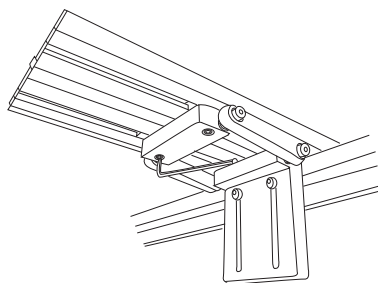
4-1

4-2

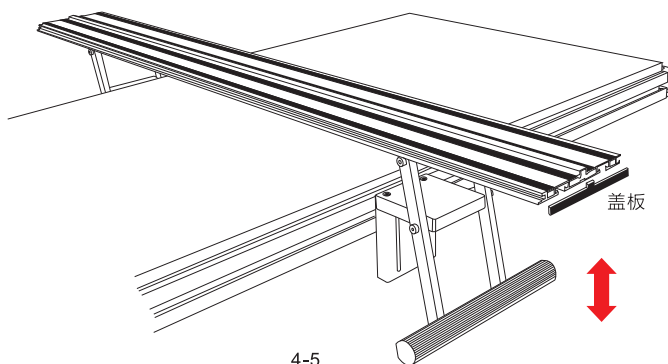
再次调整导轨与桌边垂直如图4-3，把另一端的升降配件与桌边框锁紧，然后再把升降配件与导轨锁紧，如图4-4，导轨装好后最终效果如图4-5，通过下压和上抬手柄实现导轨的升降。



4-3

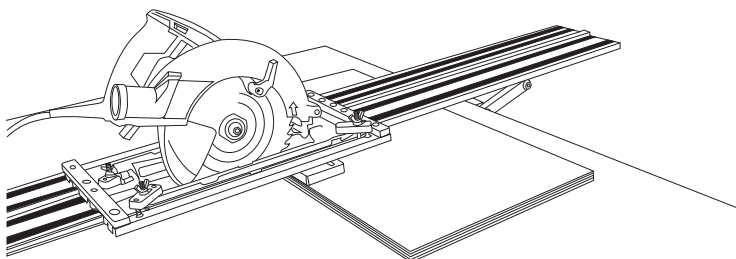


4-4

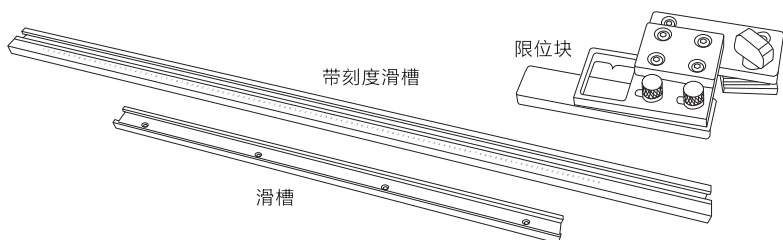


4-5

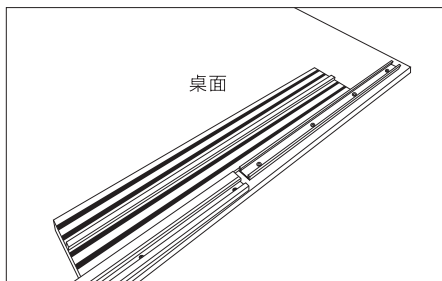
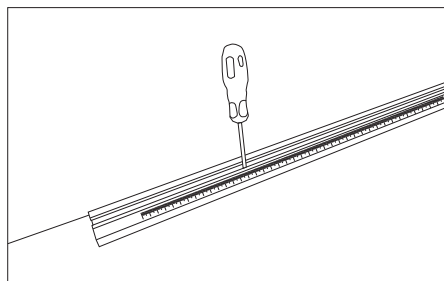
升降导轨安装好后，把导轨两端的盖板盖上，如图4-5所示，把电圆锯放到导轨上面，按压把手抬起导轨把木板放到导轨下面，如下图所示，通过升降导轨可快速地完成木板切割，升起导轨也方便电圆锯拉回起点进行下一次切割。



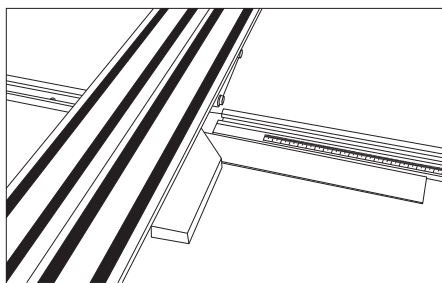
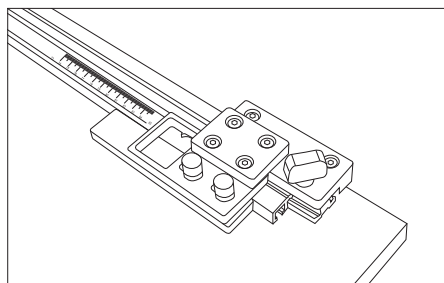
重复切割配件



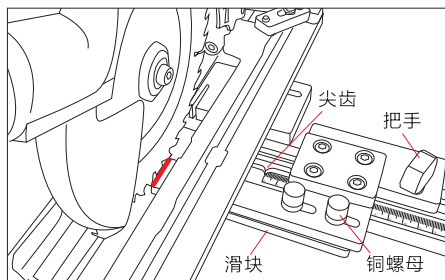
把带刻度的滑槽固定在工作桌面上，如图5-1所示，再把滑槽放在另外一边，用双层导轨靠在两条滑槽上，如图5-2所示，保持两条滑槽在同一直线上，并用螺丝固定滑槽。



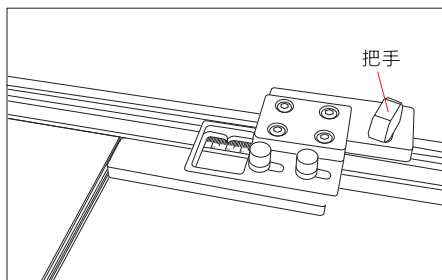
把限位配件装到带刻度的滑槽上，如图5-3所示，再把双层导轨安装在桌子上，用角尺测量双层导轨跟滑槽的垂直，如图5-4所示，保持垂直后把双层导轨固定好。



把装好底板的电圆锯放到双层导轨上，把限位块向电圆锯移动使尖齿对准0刻度，拧紧把手，拧松两个铜螺母，移动滑块直至轻轻接触锯片，如图5-5所示，再拧紧铜螺母，调零完成。移动限位块到需要尺寸，然后拧紧把手，如图5-6所示。

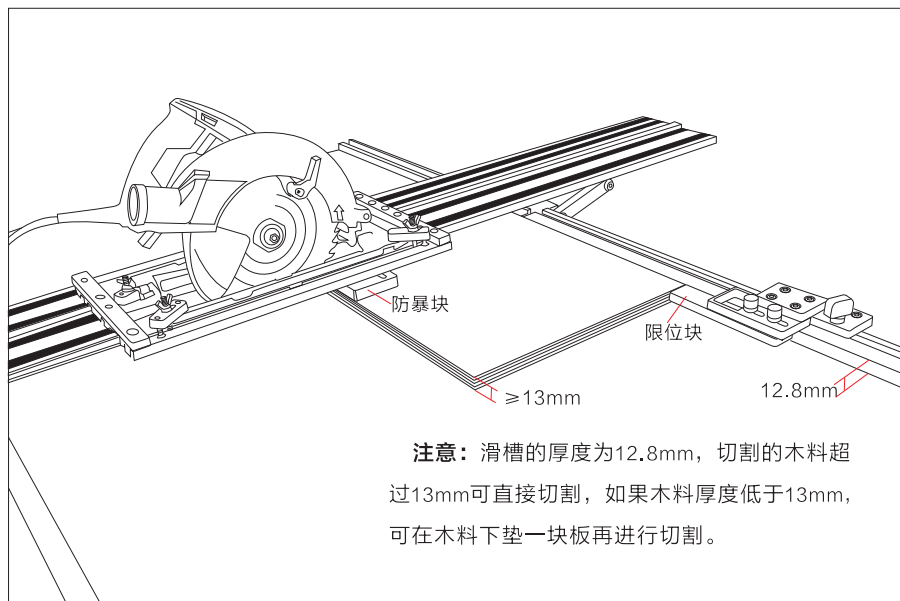


5-5



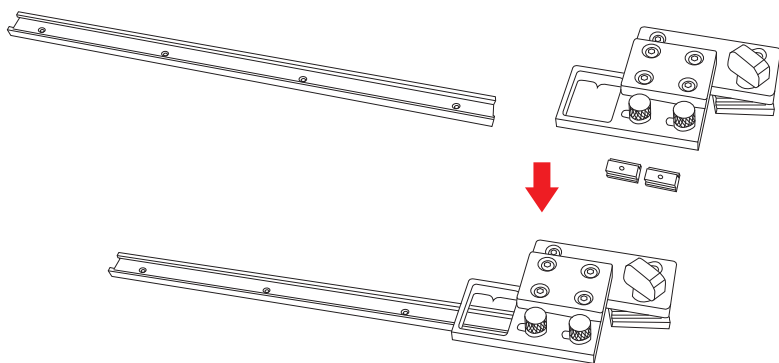
5-6

定好尺寸固定好限位块以后把木板靠紧滑槽，另一端抵住限位块，如下图所示，调节好锯片的深度，启动电圆锯沿导轨向前推进对木板进行切割。切割完成后更换木板，可以重复切割出同一尺寸的木料。

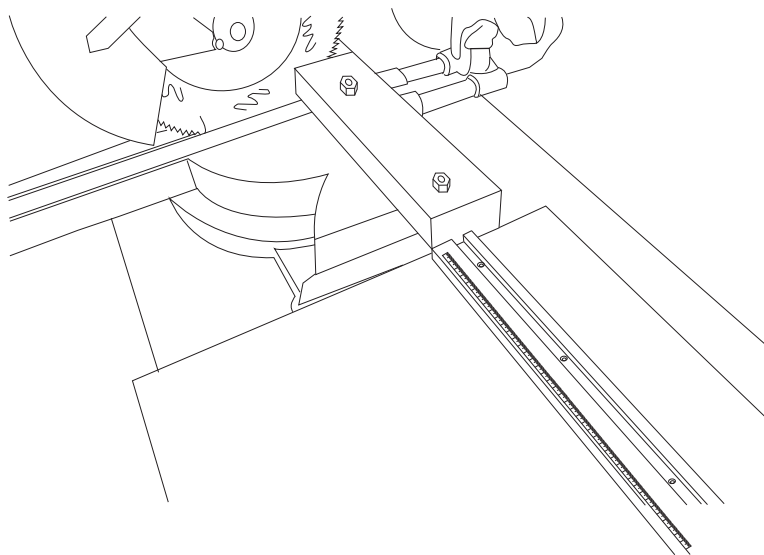


限位块在斜切中的应用

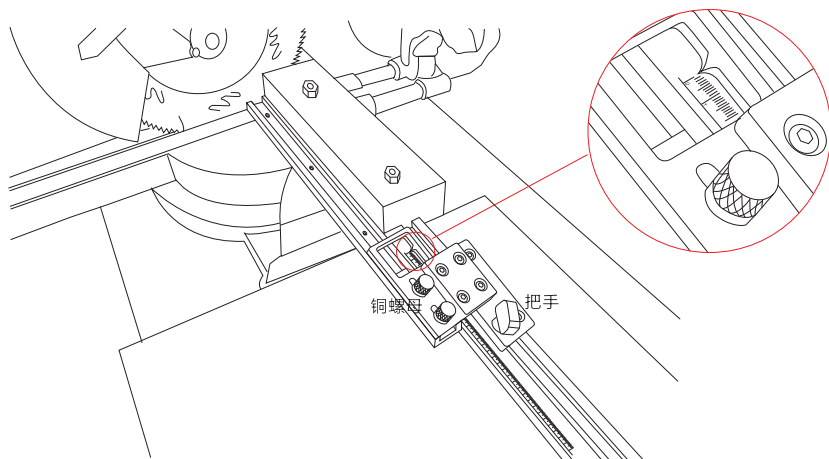
把小滑槽与限位块组装在一起，如下图所示。



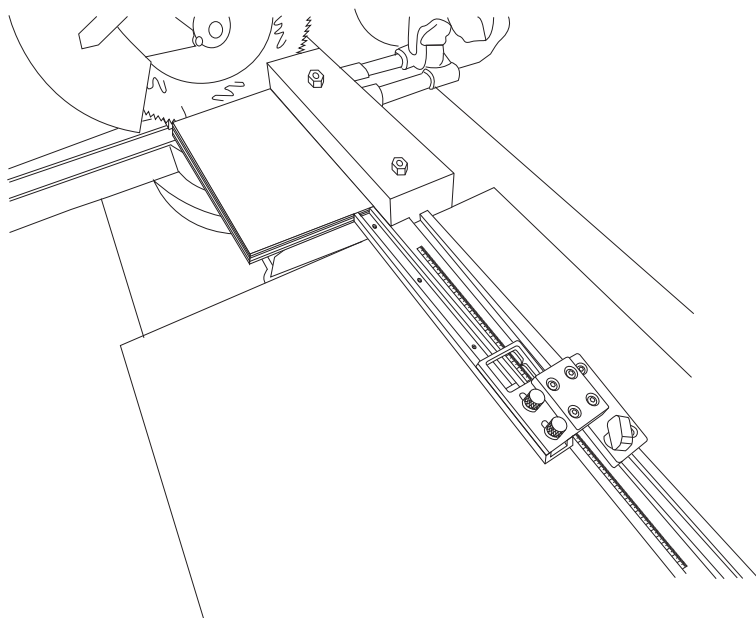
然后把带刻度的滑槽安装在斜切锯的右边，如下图所示，



把限位块和滑槽装在带刻度的滑槽上，把小滑槽顶在斜切锯的锯片上，放松铜螺母调整限位块使尖齿对准0刻度，再把铜螺母锁紧，0刻度调整完成。

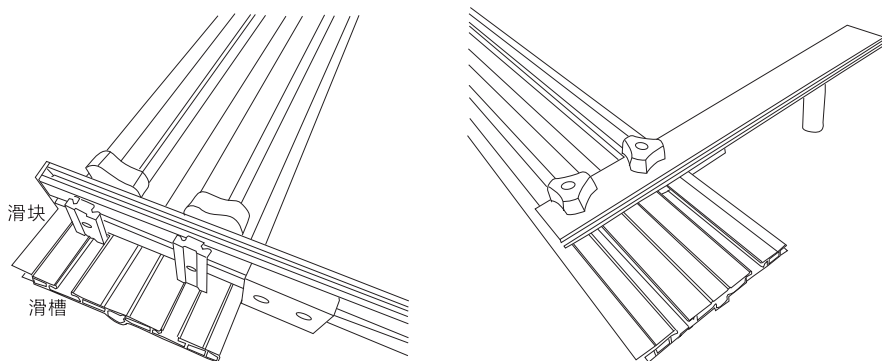


使用时移动限位块到需要切割尺寸的刻度时锁紧把手，把木板的一端顶在小滑槽上，切出来后即为所需要尺寸的木料，无需测量，方便快捷，亦可重复切割同一尺寸木料。

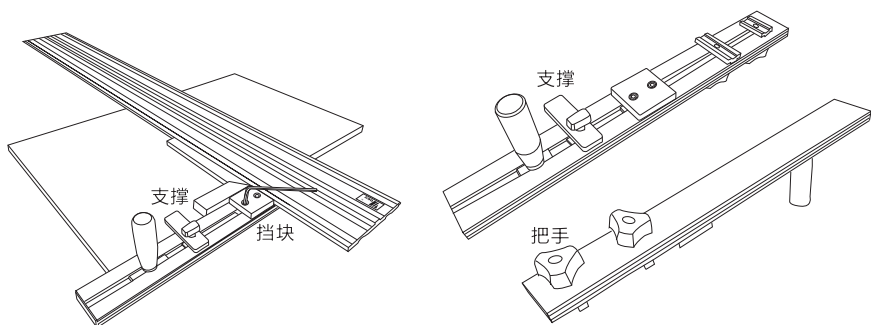


直角切割配件

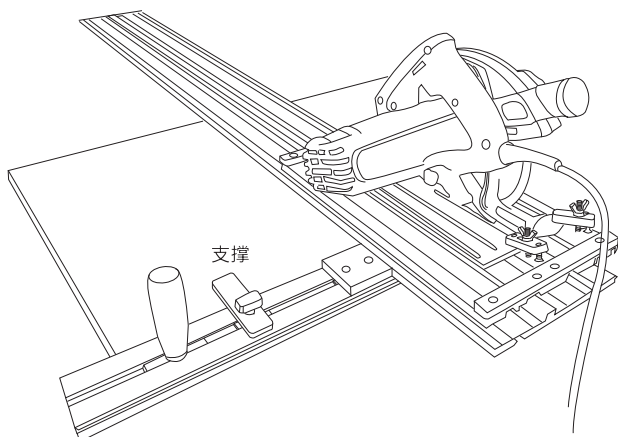
把直角切割配件的小滑块装入双层导轨底部的槽内如下图所示。



用直角尺确定切割配件与双层导轨的垂直度（如不垂直，可调节挡块），并锁紧把手，如下图所示。

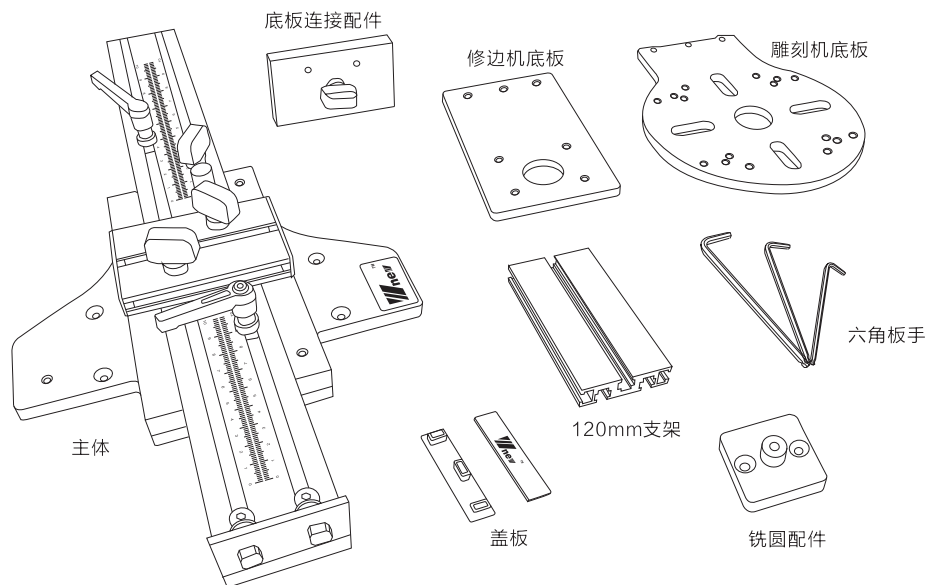


切割时把切割配件贴紧木板的边沿，支撑靠在木板上面，保持导轨的平衡，导轨对准切割线（配合对线器）只需要对一个点，即可切割出相邻两边互相垂直的木板，如右图所示。

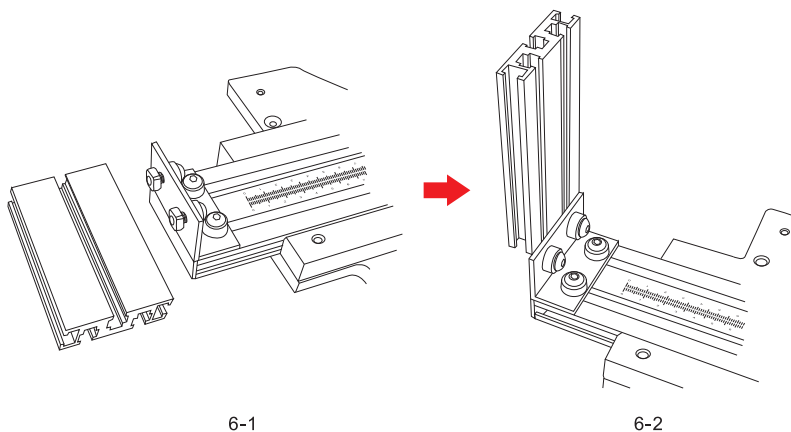


雕刻机、修边机配件的安装

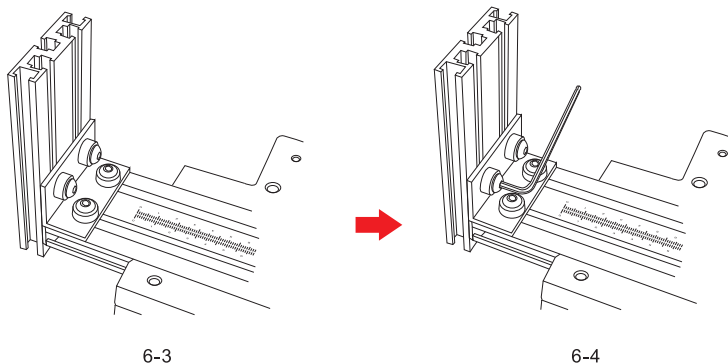
注：本产品为不同型号的雕刻机/修边机，配备了不同的底板，用户可以根据自己的雕刻机/修边机，选购对应型号的底板。



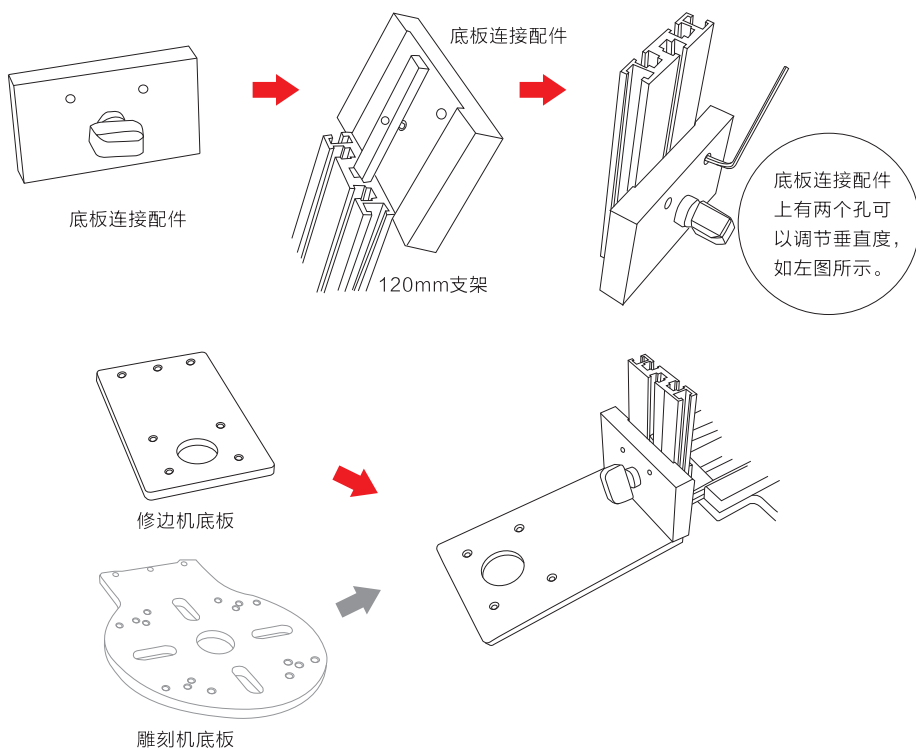
① **支架与主体的连接：** 松开主体上的螺丝，把120mm支架安装到主体上，可根据需要调节支架的高度，如图6-2所示。



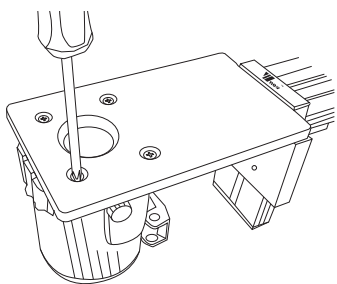
确定高度后，用六角板手把螺丝锁紧，如图6-4所示。



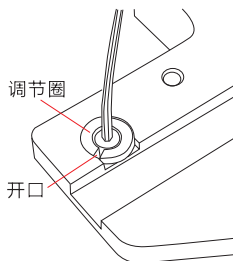
②**底板与支架的连接：**把底板连接配件装到支架上，再把底板装到底板连接配件上（这里以修边机底板为例，雕刻机底板的安装方法类似）可根据板厚调节底板连接配件的高度，并锁紧螺丝，如下图所示。



③**底板与修边机的连接**：把修边机底座与底板进行连接，对好孔位后用螺丝锁紧即可，如图6-5所示。接着把主体放到导轨上测试紧密程度，如需要调节可以把主体反过来，通过调节圈来调节主体与导轨的配合程度（**注意调节圈开口位置如图6-6所示**）。

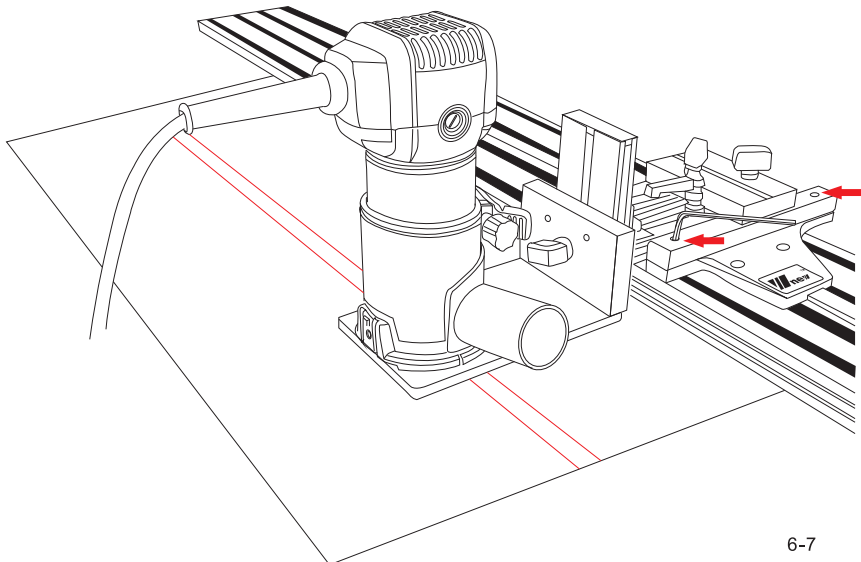


6-5



6-6

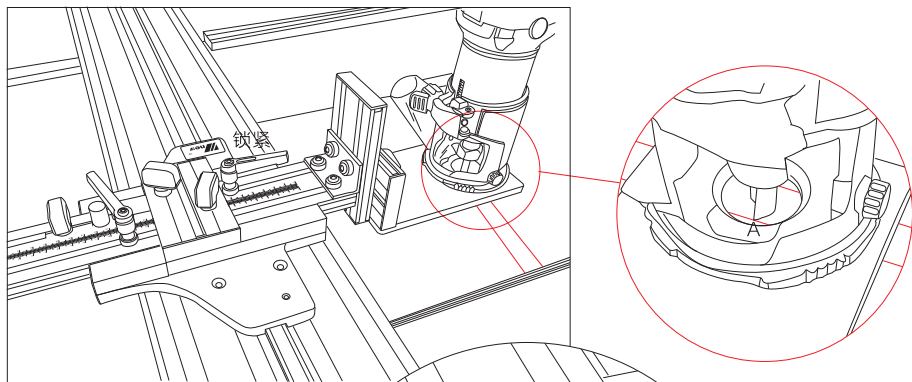
调整好以后把主体放到导轨上面，主体一侧有调节孔，可用内六角板手调节主体与500mm型材之间的间隙，把修边机装到底座上，修边机配件安装完成，如图6-7所示。



6-7

雕刻机、修边机开槽

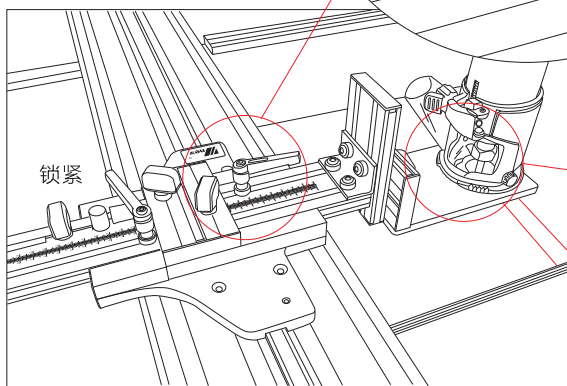
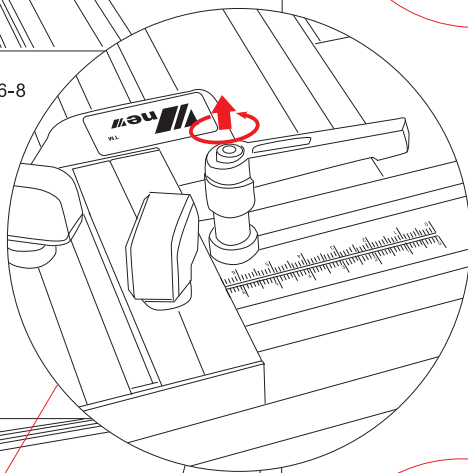
调节主体上左右两个快锁螺丝来对修边机进行限位，把刀尖A对准左边的线，右边的把手贴紧主体上的配件并锁紧，如图6-8所示。把刀尖B对准右边的线，左边的把手贴紧主体上的配件并锁紧，如图6-9所示，这样左右限位就设置好了，可以在木板上进行开槽。



6-8

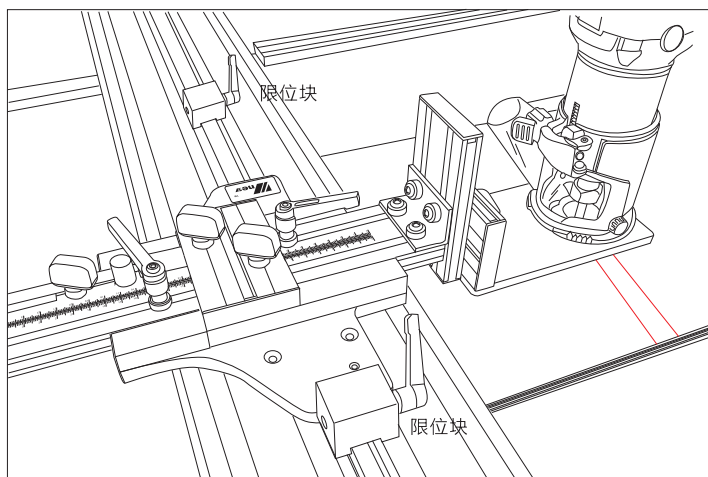
如果快锁螺丝会被旁边的把手挡住，可以先把快锁螺丝的把手向上提起，然后旋转到合适的位置再放下。

(如右图所示)

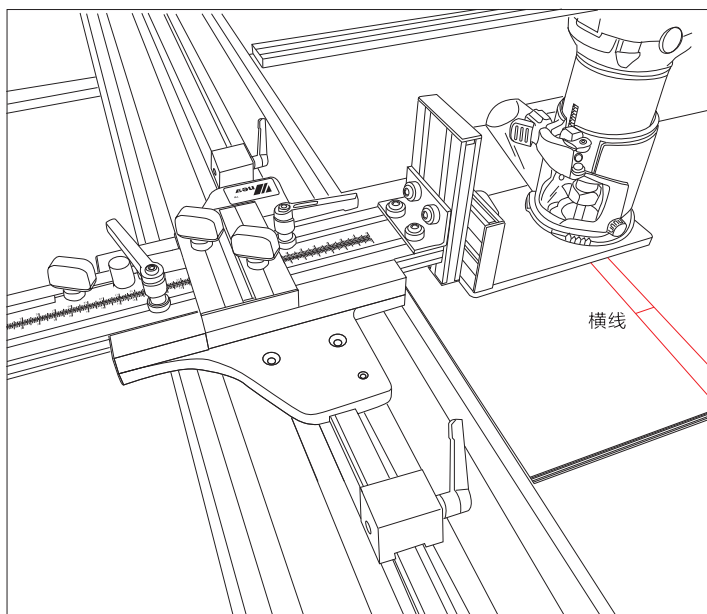


6-9

结合限位块和导轨还可以对修边机进行前后限位，把刀尖对准下边的横线，下边的限位块贴紧主体并锁紧，如图6-10所示。把刀尖对准上边的横线，上边的限位块贴紧主体并锁紧，如图6-11所示，这样前后限位就设置好了，可以在木板的中间进行开槽（孔）。



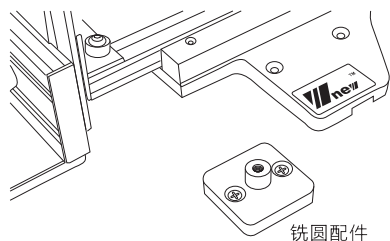
6-10



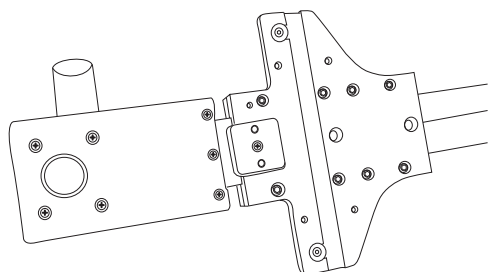
6-11

雕刻机、修边机铣圆

把铣圆配件固定在木板上，如图6-12所示，再把主体放到铣圆配件上面，如图6-13所示，调节修边机到圆心的距离，来铣出需要尺寸的圆，如图6-14所示。

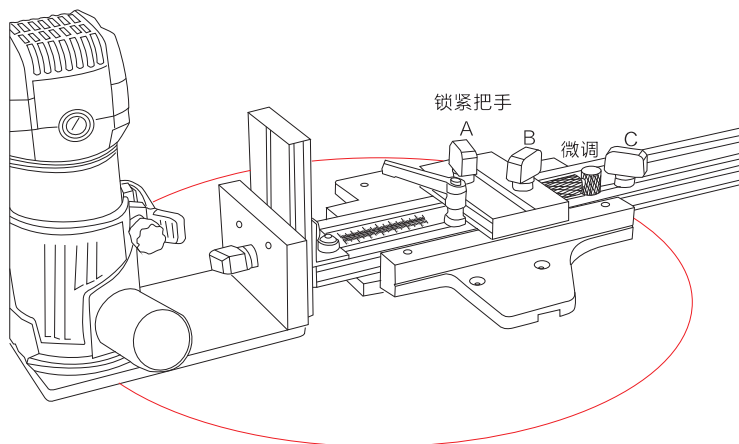


6-12



6-13

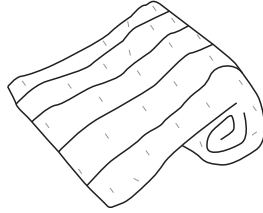
半径调节到所需尺寸以后，先把锁紧把手C锁紧，再用微调装置进行微调，直到完全准确后，再把锁紧把手A、B锁紧，如图6-14所示，旋转修边机进行铣圆。



6-14

工具保养

保养方法：工作结束以后，清理干净工具上的木屑，并可用毛巾进行擦拭。如果较长时间不使用，可以在金属部件上擦一点防锈油，防止工具生锈。切勿使用挥发油，汽油，稀释剂，擦光粉等进行清洗。





Worktable/Double-layered Guide Rail/Accessories

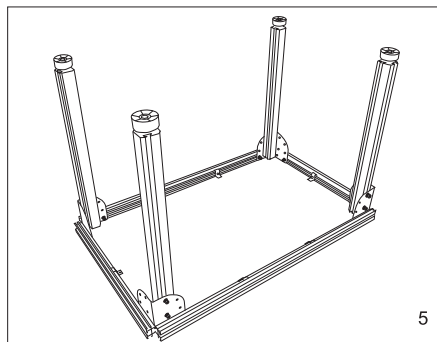
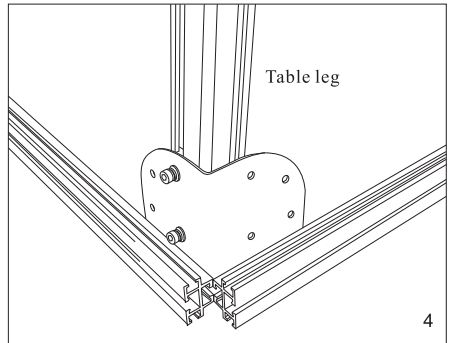
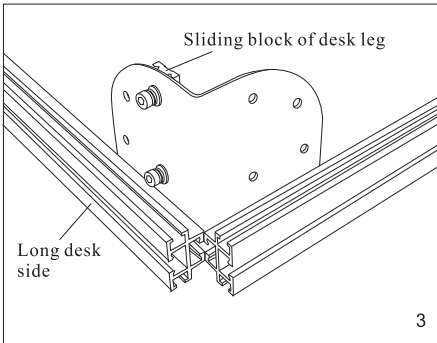
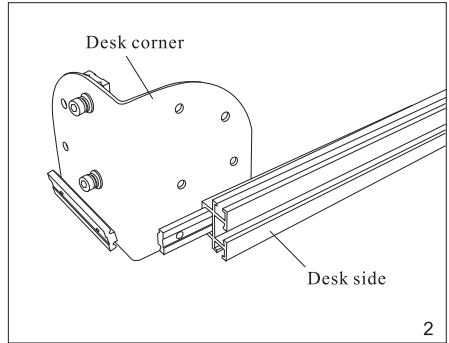
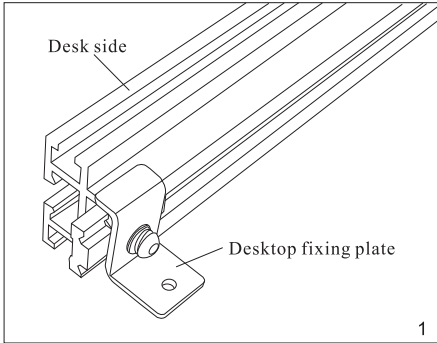
User Manual



Installation of worktable

Install the fixing plate of desktop in the desk side groove (as shown in Figure 1-1), connect the desk side with the desk corner (Figure 1-2), connect the long and short desk sides with the desk corner (Figure 1-3), and lock the screws of sliding block by half. Notes: generally, the desk legs are installed on the long desk sides. Therefore, when installing the desk corners, the long desk sides have the desk leg sliding blocks.

After connecting the four desk sides with the four desk corners, adjust the distance from desk sides to desk corners, let the long and short desk sides intersect, lock the screws, install the sliding block in the chutes of desk legs (Figure 1-4) and lock the screws tightly. The installation effect is as shown in Figure 1-5.



Preface

Thanks for choosing Wuxin Tools. You can use it without fault for years following this manual. The parameters, figure and pictures in the manual only represent the current status of the tool. We will continue to improve and upgrade. Please forgive us for not informing you one by one after upgrading.

Safety Warning

Before using the tools, please wear protective glasses and masks to prevent foreign matters from entering the eyes and lungs. Please keep alert and control of tools at all times! Please pay attention to your operation and knowledge! Do not operate tools when tired or after drinking. Please keep and refer to this manual frequently.

Contents

Product brief instruction	27
Installation of worktable	28-29
Electric circular saw/carving double-layered guide rail	30
Installation of electric circular saw baseplate	31-33
Adjustment and use of line finder/stop block	34-35
Installation of lifting guide rail	36-38
Repeated cutting of accessories	39-40
Application of stop block during beveling	41-42
Square-cutting accessories	43
Installation of carving machine/trimmer accessories	44-46
Groove milling of carving machine/trimmer	47-48
Circular milling with carving machine/trimmer	49
Maintenance of the tool	Back cover

Product brief instruction

◎ The main products include (the following are optional accessories, please choose them as needed)

A: Worktable

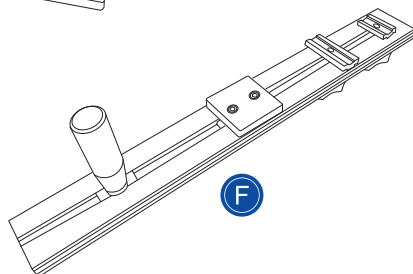
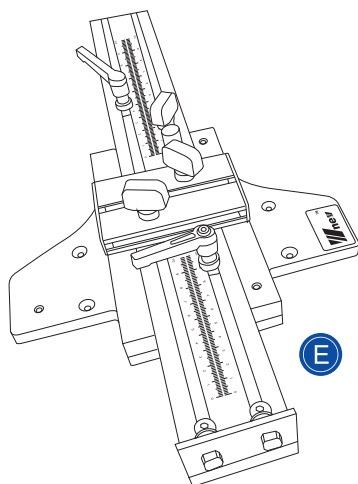
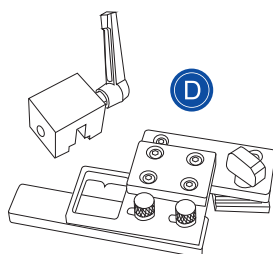
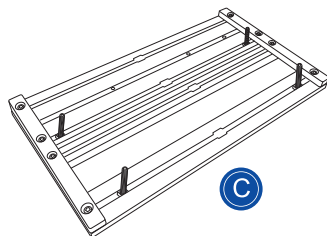
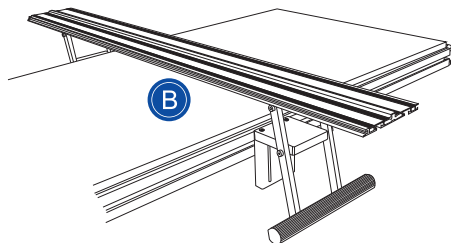
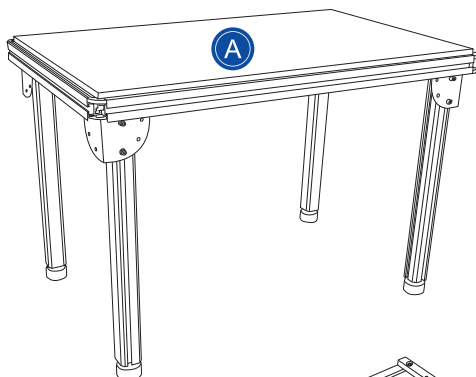
B: Double-layered guide rail and lifting

C: Formal baseplate of electric circular saw

D: Repeated cutting of accessories

E: Formal accessories of carving machine

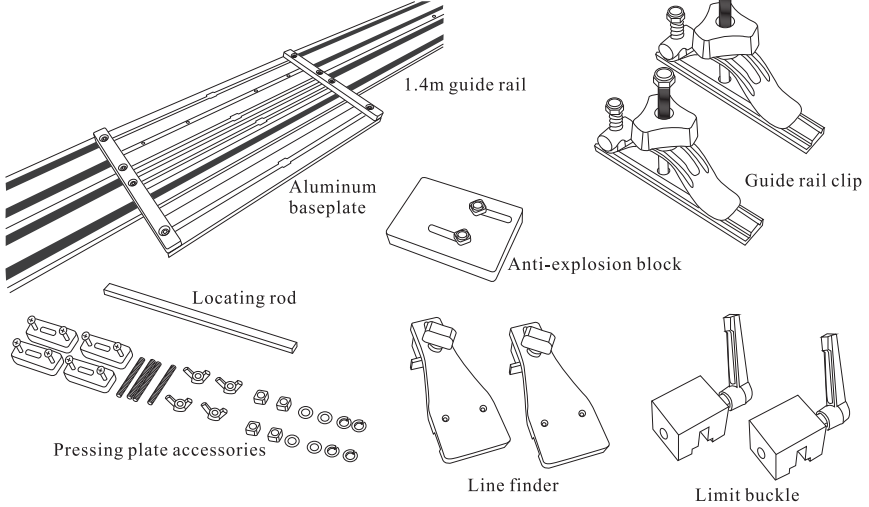
F: Square-cutting accessories



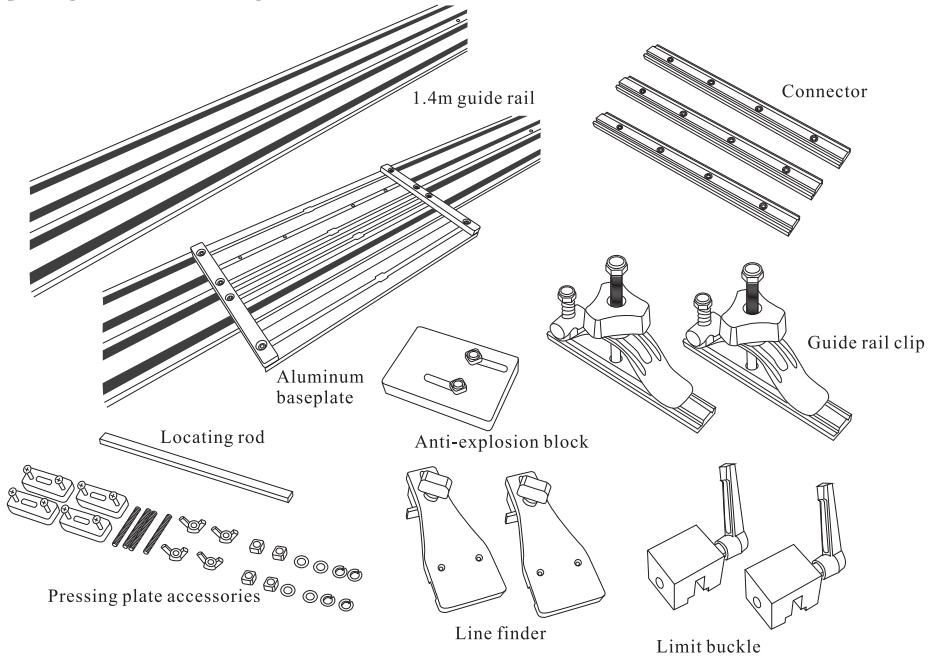
Electric circular saw/double-layered guide rail of carving machine

The guide rail has package A and package B, please choose as needed

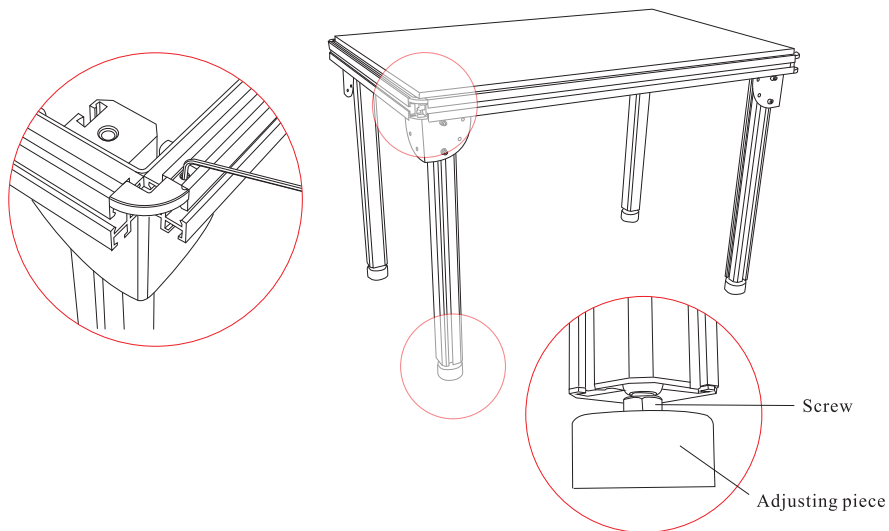
The package A accessories of guide rail are as follows:



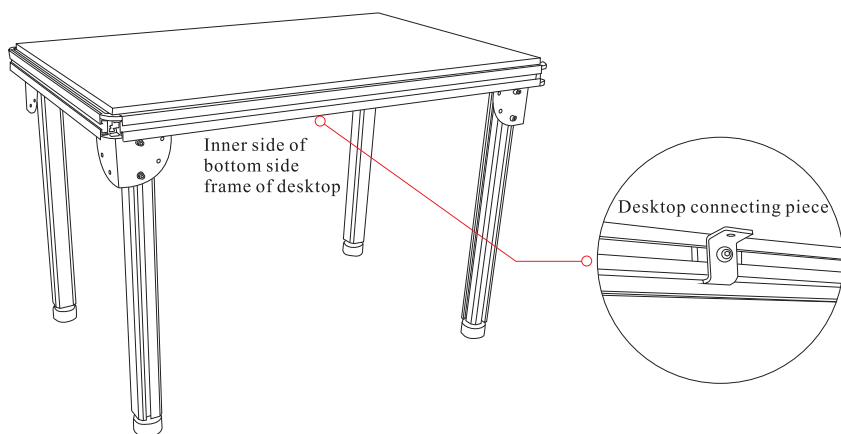
The package B accessories of guide rail are as follows:



After installing the desk, install the corner protectors (8pcs in total, 2 for each corner) on the upper and lower sides of desk corner as shown in the figure below, adjust the level of desk by rotating the adjusting blocks under the desk legs, and lock the screws with a wrench after adjustment.

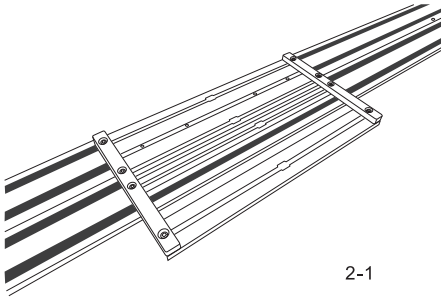


Choose a two-layer desktop (thickness: 20mm, 25mm or 15mm; length: 1,220mm; width: 738mm; recommended material: paint-free multi-layer board and density board), put it on the support, adjust the desktop connecting piece to a suitable position for locking, screw it onto the desktop with self-tapping screws, and install an auxiliary support when it is necessary to extend the desktop. (**Selective purchasing**)

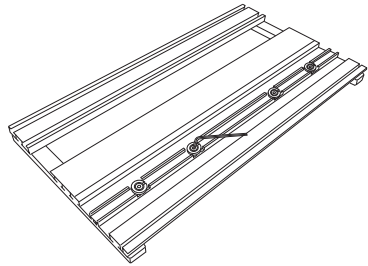


Installation of electric circular saw baseplate

Put the special base plate of the electric circular saw on the double-layer guide rail to check the tightness of the fit (as shown in Figure 2-1). If there is a gap, the base plate can be reversed. There are four adjusting rings on the base plate, and the tightness can be adjusted with a wrench (as shown in Figure 2-2), so that the gap between the base plate and the guide rail is about 0.1mm, and slide smoothly.

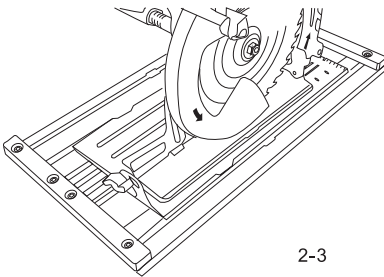


2-1

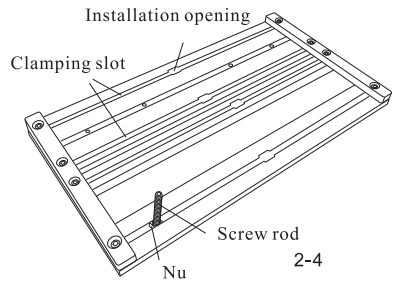


2-2

Put the electric circular saw on the special baseplate (Figure 2-3). There are four clamping slots with the installation openings on the base plate (Figure 2-4), choose suitable clamping slot for fixing the electric circular saw after comparison, screw the screw rod on the nut, and put the nut in the clamping slot through installation opening (Figure 2-4).

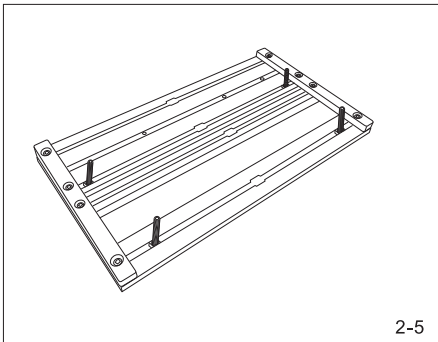


2-3

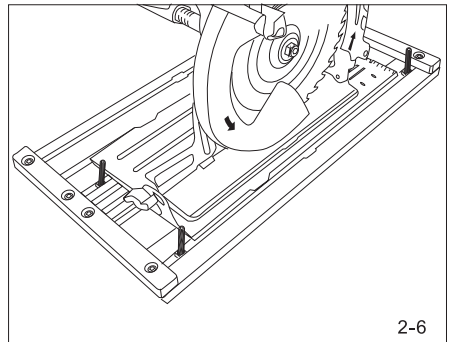


2-4

After installing four lead screws (Figure 2-5), put the electric circular saw on the special baseplate (Figure 2-6).

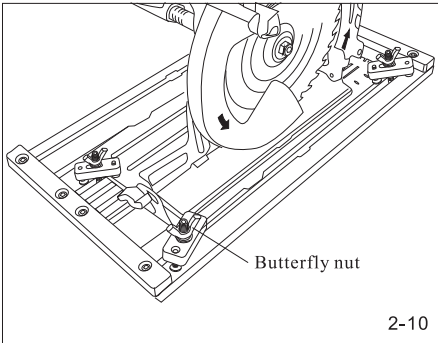
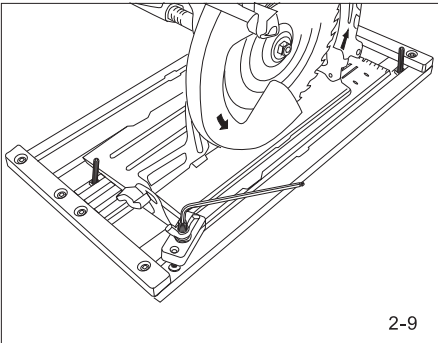
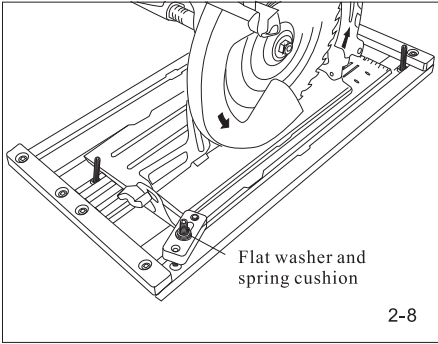
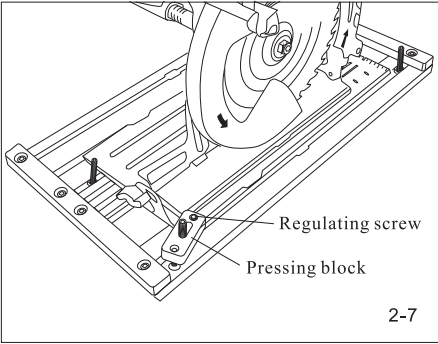


2-5

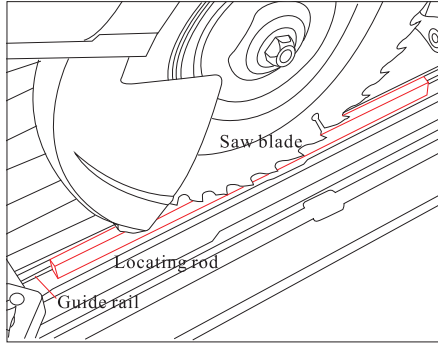
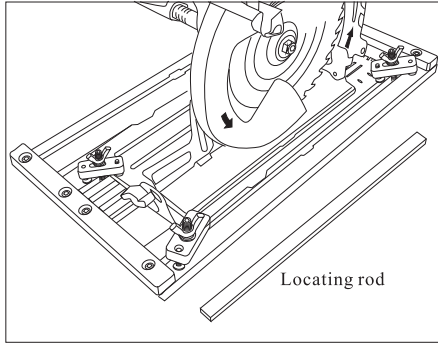


2-6

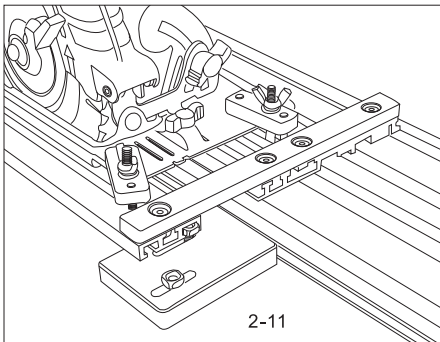
Put pressing blocks (each has two regulating screws to adjust the thickness of the baseplate of electric circular saw as shown in Figure 2-7), flat washer, spring cushion (Figure 2-8) and butterfly nuts on the lead screw, lock the lead screw after adjusting the position of electric circular saw (Figure 2-9) and lock the butterfly nuts by half (Figure 2-10).



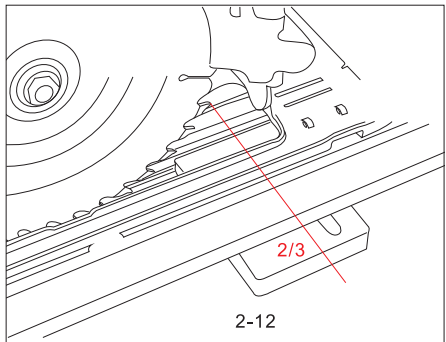
Put the locating rod between the electric circular saw blade and guide rail, push the electric circular saw slightly so that the saw blade and guide rail clip can clamp the locating rod, tighten the butterfly nuts on the four pressing blocks completely, take down the locating rod and finish the parallel adjustment of the electric circular saw and guide rail and the installation of the electric circular saw and special baseplate.



Installation of anti-explosion block: install the anti-explosion block in the slot under the special baseplate. There are two screws on the anti-explosion block corresponding to the two slots of the baseplate (Figure 2-11), and the electric circular sawtooth exceeds the anti-explosion block by more than $\frac{2}{3}$ (Figure 2-12).

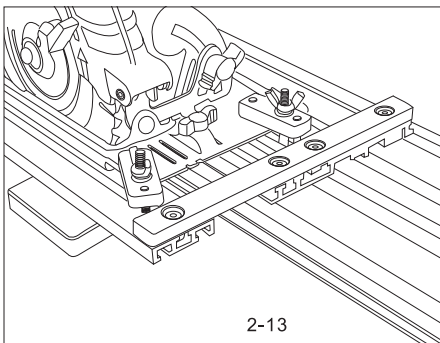


2-11

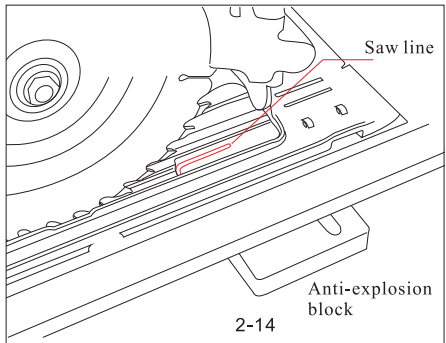


2-12

After fixing the anti-explosion block, start the electric circular saw, press it till it reaches the maximum cutting depth (Figure 2-13), and saw a saw line on the anti-explosion block (Figure 2-14) to finish installation. The anti-explosion block can effectively prevent edge breakage of wood board.

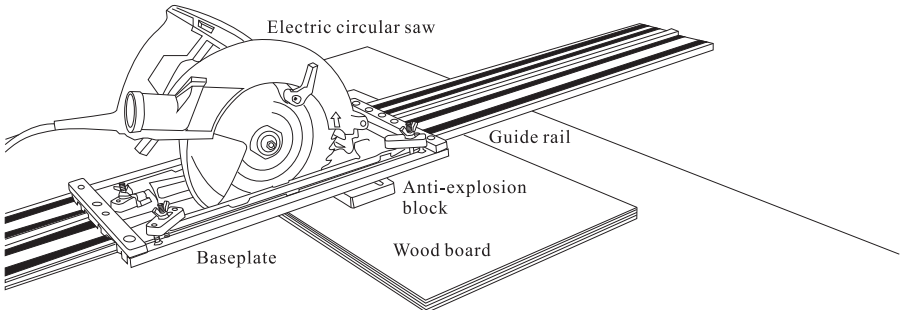


2-13



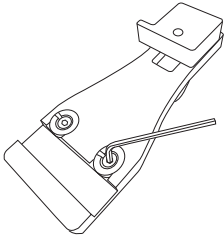
2-14

After installation, put the anti-explosion block on the guide rail. The installation effect is shown in the figure below. A straight line can be cut safely, conveniently and quickly by means of the guide rail.

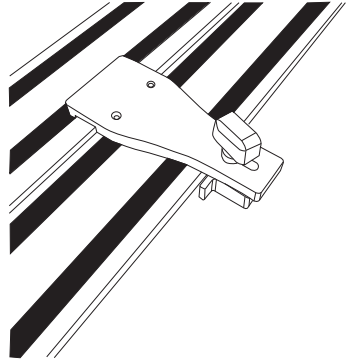


Adjustment and use of line finder and limit buckle

Adjust the adjusting ring under the line finder (as shown in Figure 3-1) to ensure closely fit with guide rail without gap (as show in Figure 3-2).

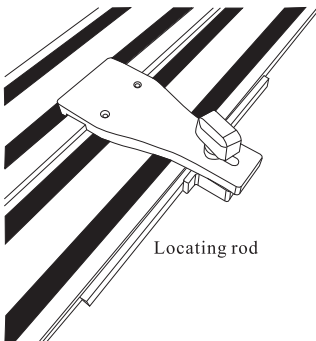


3-1

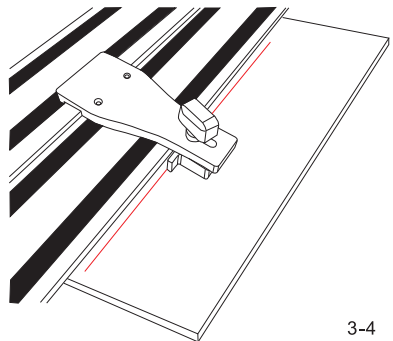


3-2

① When measuring from the left side of wood board during sawing, put the locating rod between the line finder and guide rail (as shown in Figure 3-3), lock the handle to adjust the line finder, and align to the drawing line on the wood board while using (as shown in Figure 3-4).

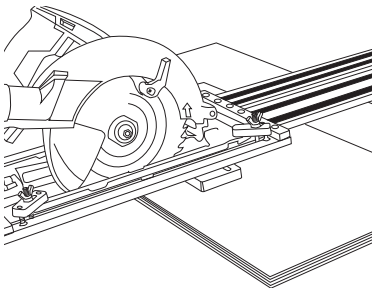


3-3

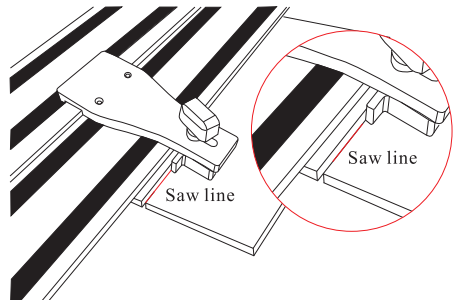


3-4

② When measuring from the right side of wood board during sawing, saw a line on the waste wood board with electric circular saw (as shown in Figure 3-5), align the line finder to the right side of the saw line (as shown in Figure 3-6), lock the handle to finish the adjustment of line finder, and align to the drawing line on the wood board while using (as shown in Figure 3-4).

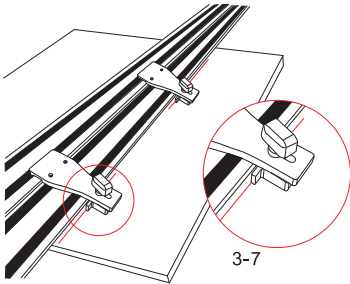


3-5

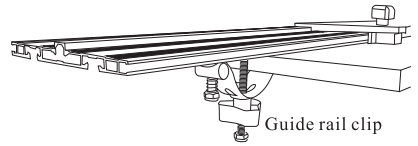


3-6

Set two points on both ends of the wood board for the drawing line as needed, put the guide rail on the wood board, align the two line finders to the two lines (as shown in Figure 3-7), and clamp the guide rail and wood board together with guide rail clips (one for each end), as shown in in Figure 3-8.

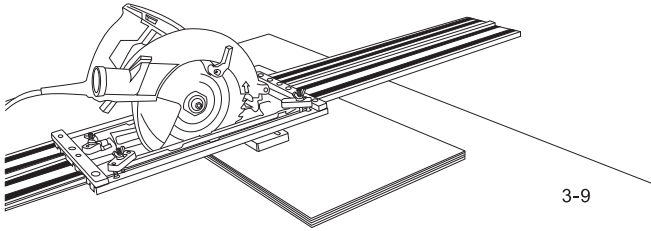


3-7



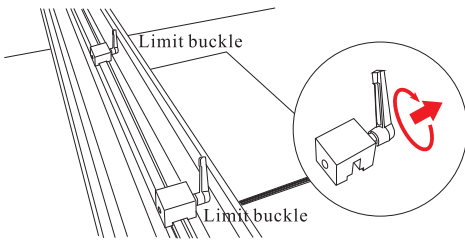
3-8

Take down the line finder, put the electric circular saw on the guide rail for cutting (as shown in figure 3-9), align quickly and accurately, and get ready for the next accurate cutting.



3-9

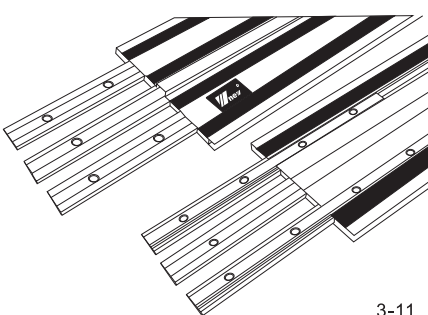
To limit the cutting length, add a limit buckle on the guide rail, as shown in the figure 3-10.



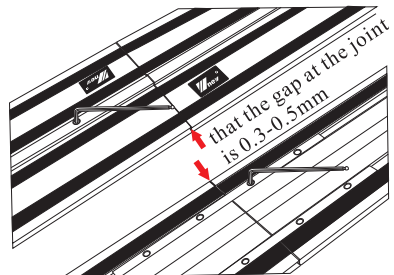
3-10

During locking of the limit buckle, the handle may be stopped by the guide rail. Pull the handle of the limit buckle rightward, and put it down when rotating to a suitable position.

If two guide rails need to be connected, insert the connecting rod into the corresponding slot of the guide rail (as shown in Figure 3-11), and then connect the two guide rails (as shown in Figure 3-12), note that the gap at the joint is 0.3-0.5mm, and then tighten the screws.



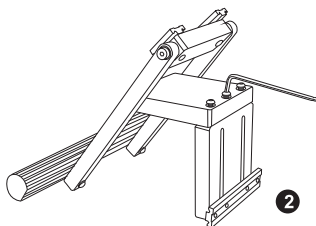
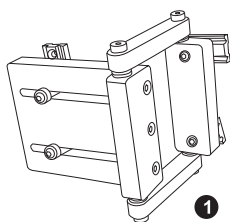
3-11



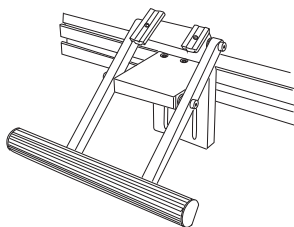
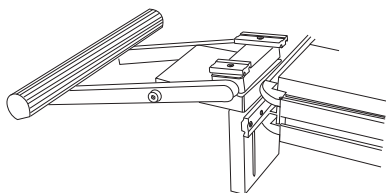
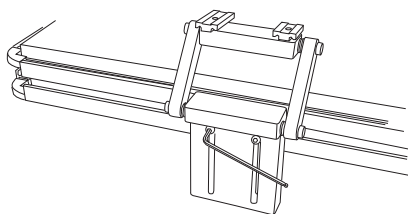
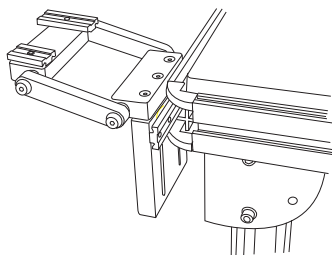
3-12

Installation of lifting guide rail

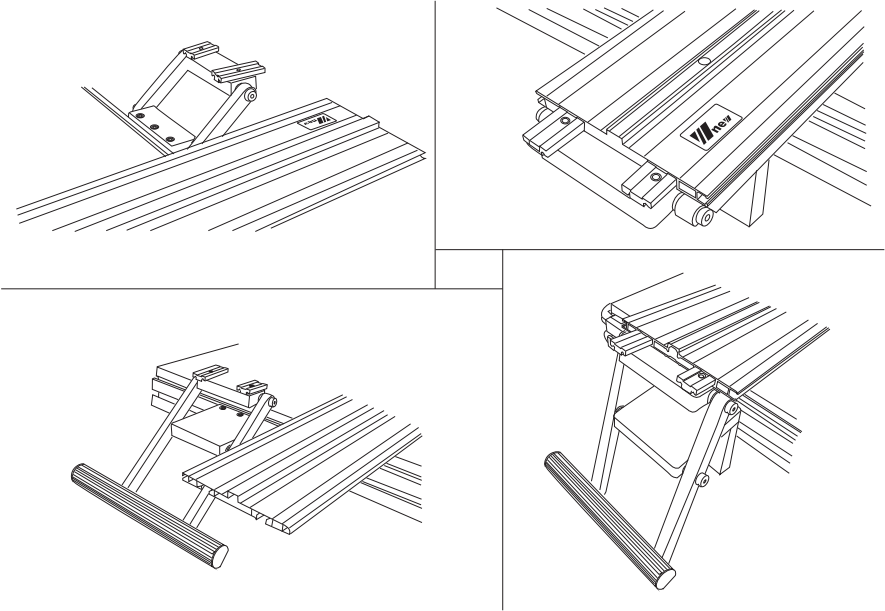
There are two sets of lifting accessories installed on both sides of the desk, one of which with operation handle is shown in the figure below.



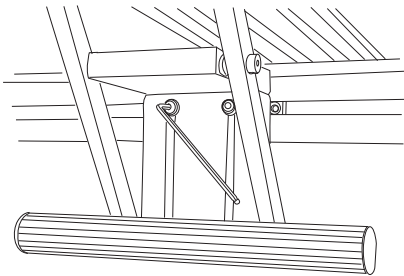
Install the two lifting accessories on both sides of the desk. There are three sliding blocks, wherein the long sliding block is installed in the chute of desk side, and the short sliding block is installed in the chute for guide rail installation. After installing the sliding blocks into chutes, adjust them to a suitable position and lock the screw by half.



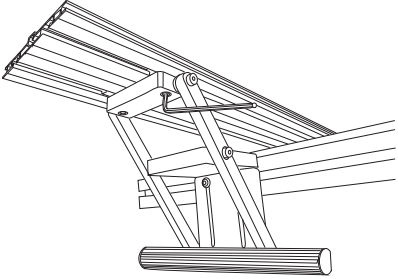
Install the guide rail on the lifting accessories. There are two chutes at the bottom surface corresponding to the sliding blocks. Install one side followed by the other side and adjust the position of guide rail (basically in the middle of desktop).



Adjust the guide rail to be vertical to the desk side, lock the lifting accessories and desk side frame tightly, lock the lifting accessories that has the handle tightly (as shown in Figure 4-1) firstly, and lock the lifting accessories and guide rail tightly (as shown in Figure 4-2).

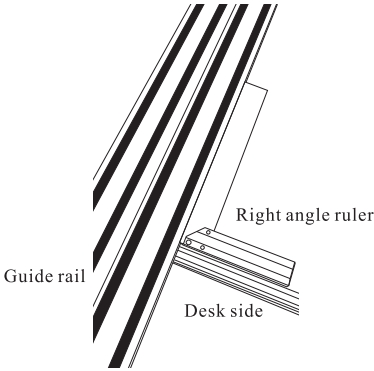


4-1

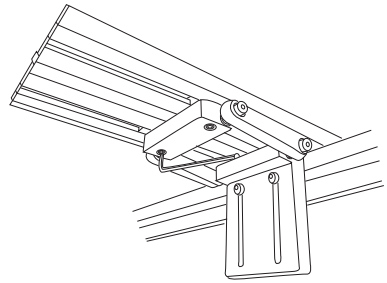


4-2

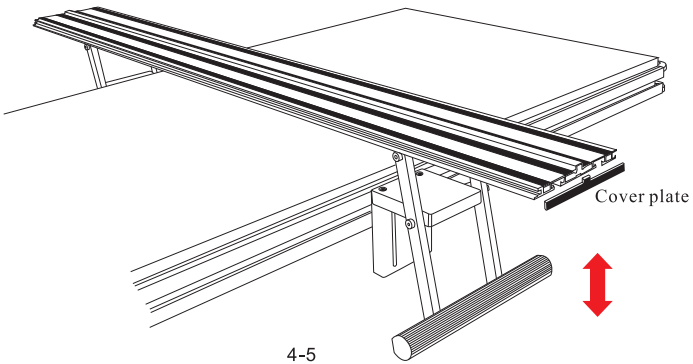
Readjust the guide rail to be vertical to the desk side (as shown in Figure 4-3), and lock the lifting accessories on the other end with the desk side frame and the guide rail tightly (as shown in Figure 4-4). The final installation effect of guide rail is shown in Figure 4-5, and the guide rail can be lifted by pressing and lifting the handle.



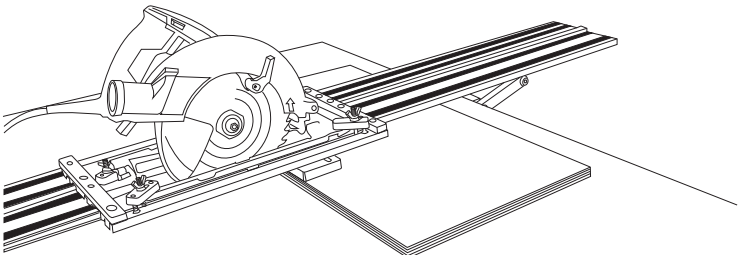
4-3



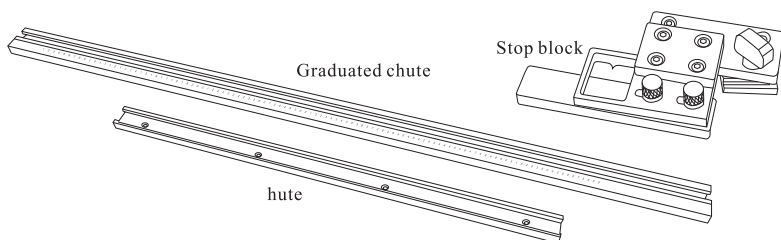
4-4



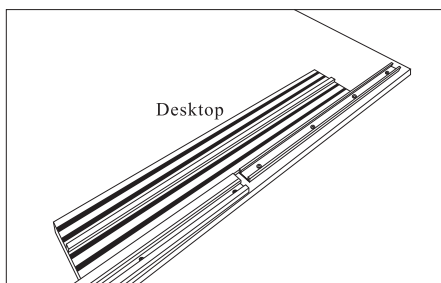
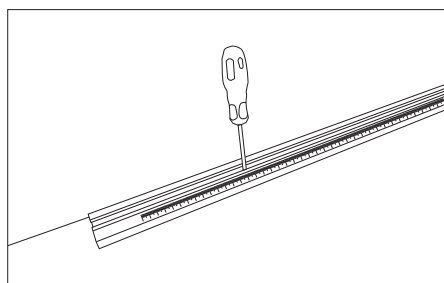
After installing the lifting guide rail, cover the cover plates on both ends of the guide rail (as shown in Figure 4-5), put the electric circular saw on the guide rail, press the handle to lift the guide rail and put the wood board under the guide rail (as shown in the figure below), replace the wood board quickly by lifting the guide rail for cutting, and lift the guide rail so that the electric circular saw can be pulled back to the starting point conveniently for next cutting.



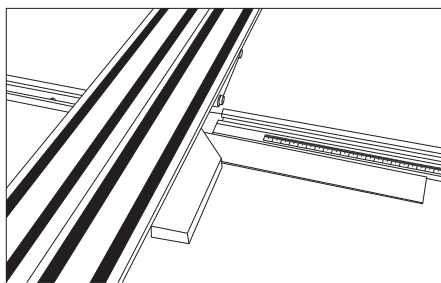
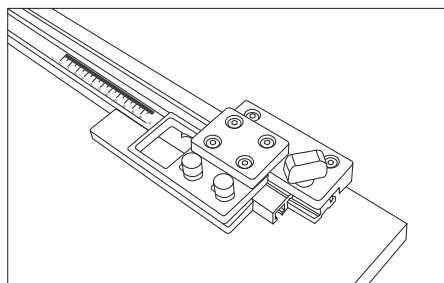
Repeated cutting of accessories



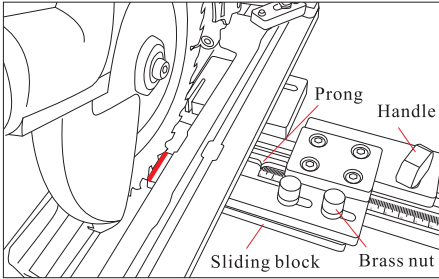
Fix the graduated chute on the worktable (as shown in Figure 5-1), put the chute on the other side, support the double-layered guide rail on two chutes (as shown in Figure 5-2), keep the two chutes on the same straight line, and fix the chute with screws.



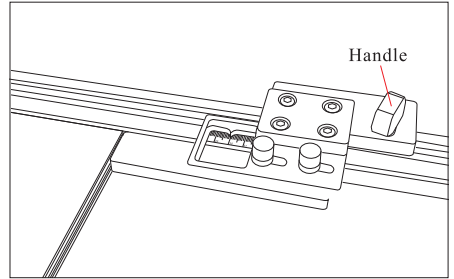
Install the stop accessories on the graduated chute (as shown in Figure 5-3), install the double-layered guide rail on the table, measure whether the double-layered guide rail is vertical to the chute with an angle ruler (as shown in Figure 5-4), and fix the double-layered guide rail after keeping the perpendicularity.



Install the electric circular saw that has the baseplate on the double-layered guide rail, move the stop block toward the electric circular saw, align the prong to 0, tighten the handle, unscrew the two copper nuts, move the sliding block till it touches the saw blade gently (as shown in Figure 5-5), and tighten the copper nuts and finish zero setting. Move the stop block to the required size, and tighten the handle, as shown in Figure 5-6.

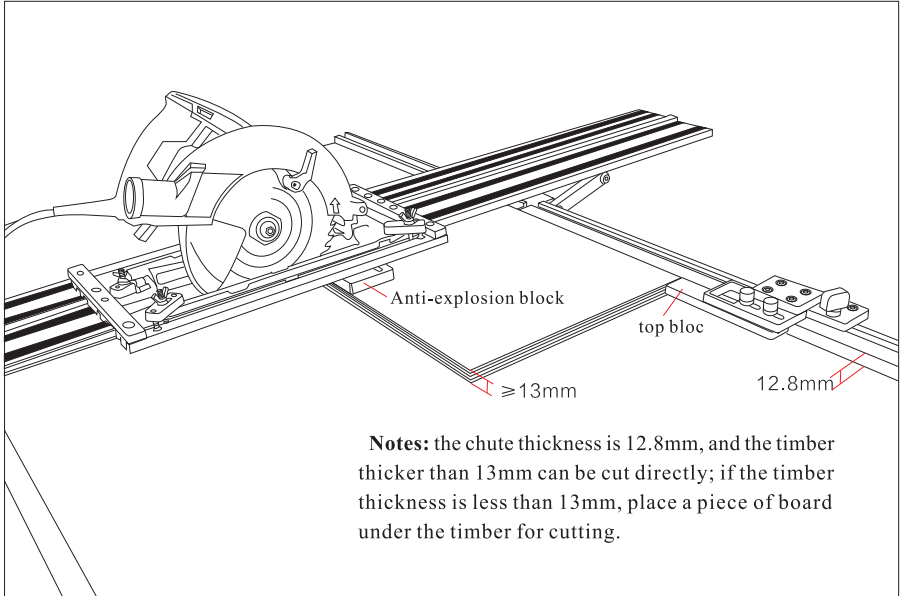


5-5



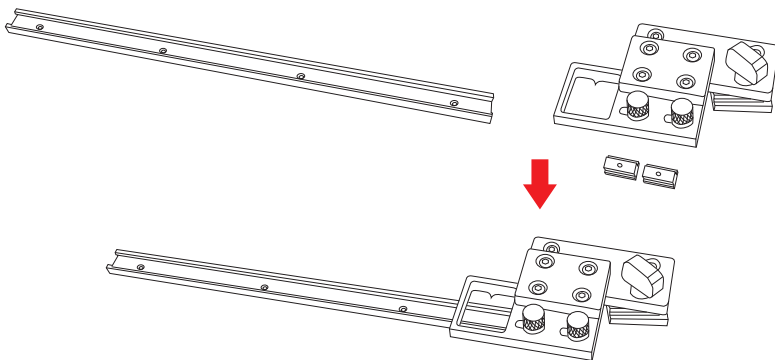
5-6

After confirming the size and fixing the stop block, let the wood board be close to the chute and the other end to support the stop block (as shown in the figure below), adjust the depth of saw blade, start the electric circular saw, push it along the guide rail and cut the wood board. After cutting, replace the wood board, and same size of timber can be cut repeatedly.

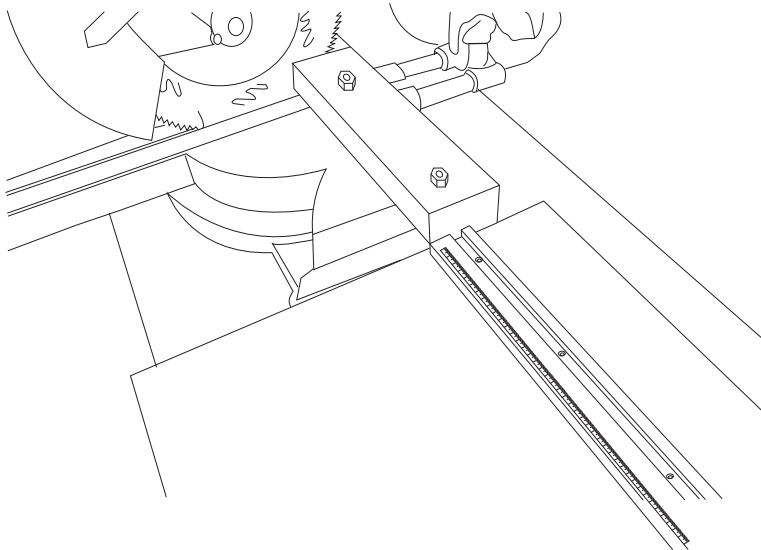


Application of stop block during beveling

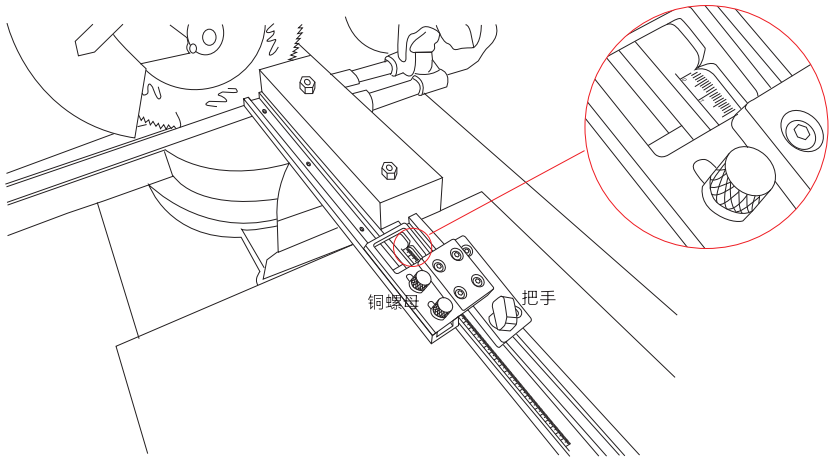
Assemble the small chute with the stop block, as shown in the figure below.



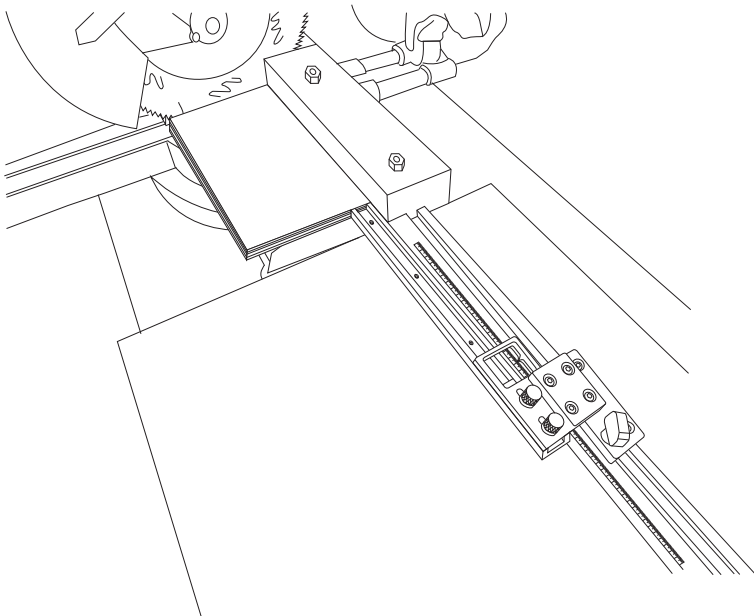
Install the graduated chute on the right of miter saw, as shown in the figure below.



Install the stop block and chute on the graduated chute, support the small chute on the saw blade of miter saw, release the copper nuts to adjust the stop block, align the prong to 0 and tighten the copper nuts tightly to finish the adjustment of 0 scale.

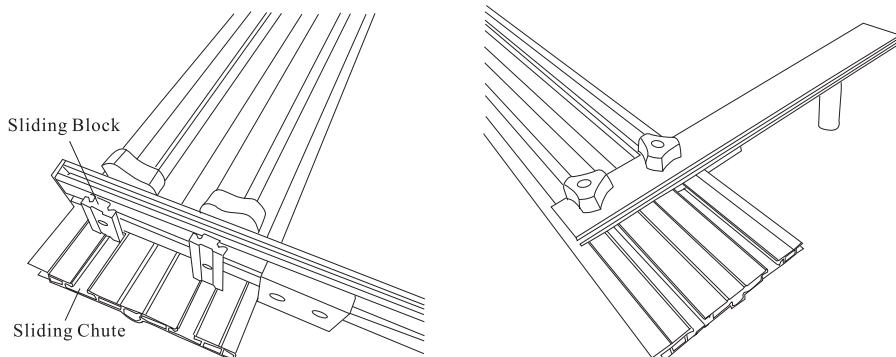


During using, lock the handle when the stop block moves to the required size, and support one end of wood board on the small chute. The timber can be cut to the required size conveniently and quickly without the need of measurement, and same size of timber can be cut repeatedly.

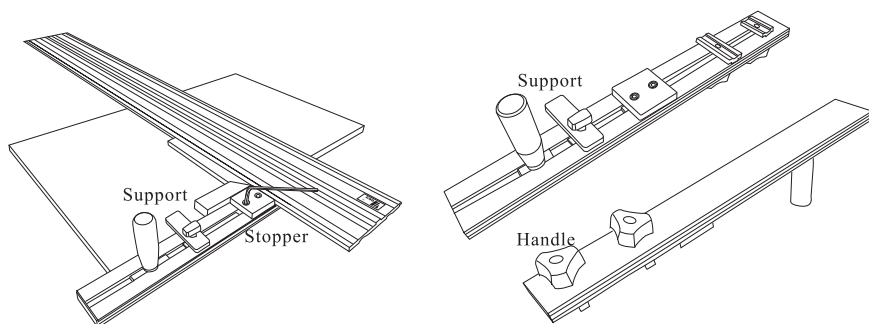


Square-cutting accessories

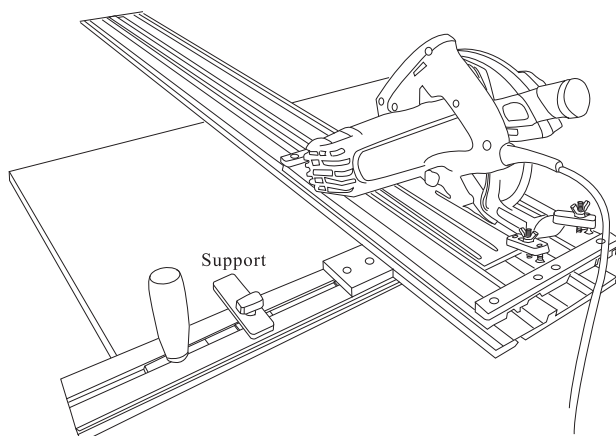
Install the small slider of the right-angle cutting fitting into the groove at the bottom of the double-layer guide rail as shown in the figure below.



Confirm whether the cutting accessories are vertical to the double-layered guide rail with a straight ruler (if not, adjust the stopper), and lock the handle tightly, as shown in the figure below.

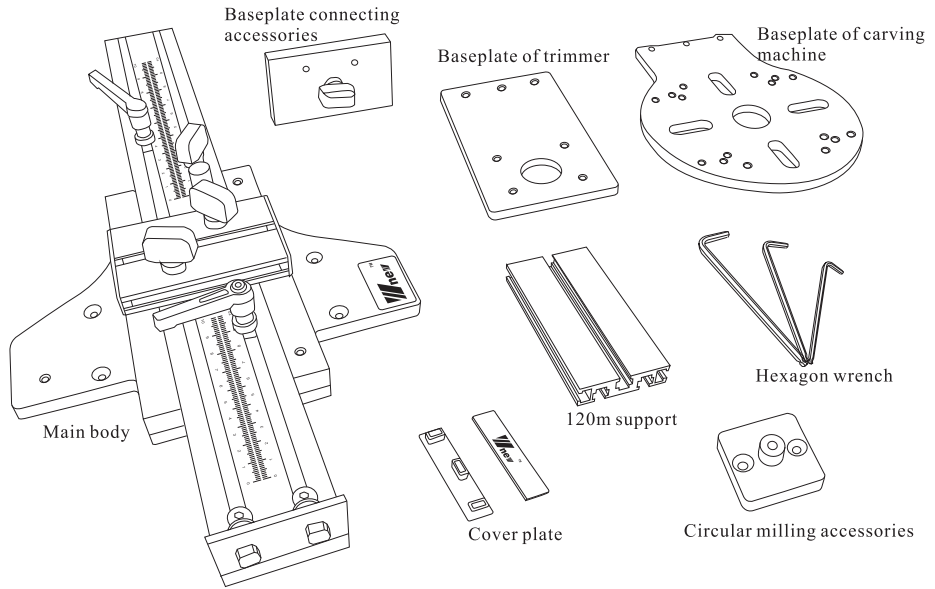


During cutting, let the cutting accessories be close to the edge of wood board, support it on the wood board, keep the guide rail balanced, and align the guide rail to the cutting line (matched with line finder). Two adjacent vertical wood boards can be cut just by a point, as shown in the right figure.

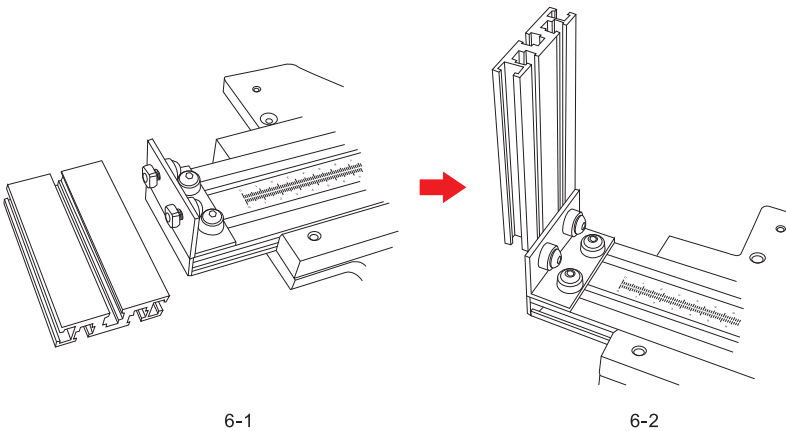


Installation of carving machine and trimmer accessories

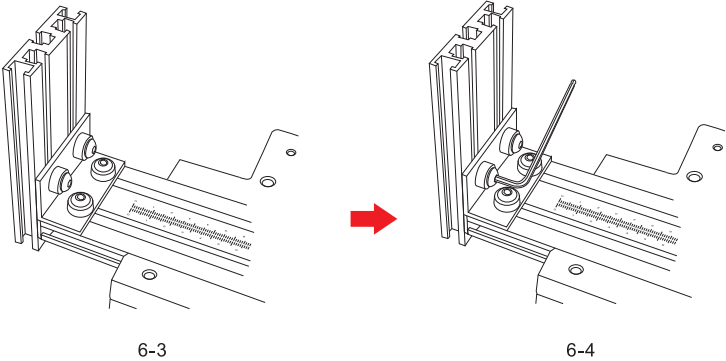
Note: the products are carving machine/trimmer in different models and equipped with different baseplates. The users can choose corresponding baseplates for their own carving machine/trimmer.



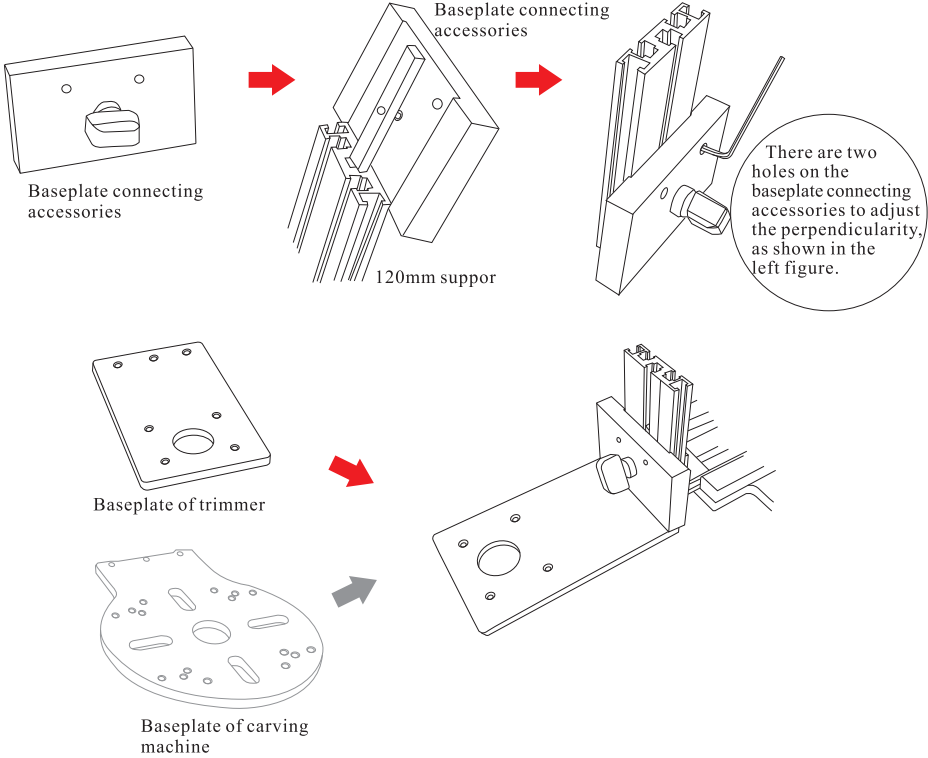
① **Assembly of bracket and main body:** release the screws of main body, install the 120mm support on the main body and adjust its height as needed, as shown in Figure 6-2.



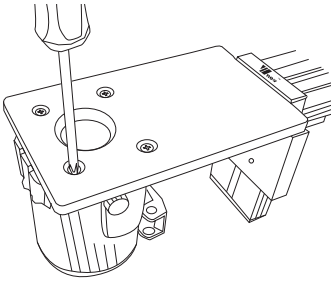
After confirming the height, lock the screws with hexagon socket wrench, as shown in Figure 6-4.



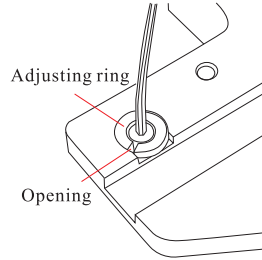
② **Connection between the baseplate and support:** Install the baseplate connecting accessories on the support, install the baseplate on the baseplate connecting accessories (the baseplate installation method of carving machine is similar to that of trimmer), adjust the height of baseplate connecting accessories according to the thickness and lock the screws tightly, as shown in the figure below.



③ **Connection between the baseplate and trimmer:** connect the base of trimmer with the baseplate, align the hole position and lock it with screw tightly, as shown in Figure 6-5. Put the main body on the guide rail to test the tightness, overturn the main body if adjustment is needed, and adjust the coordination degree between the main body and guide rail (the opening position of adjusting ring is shown in Figure 6-6).

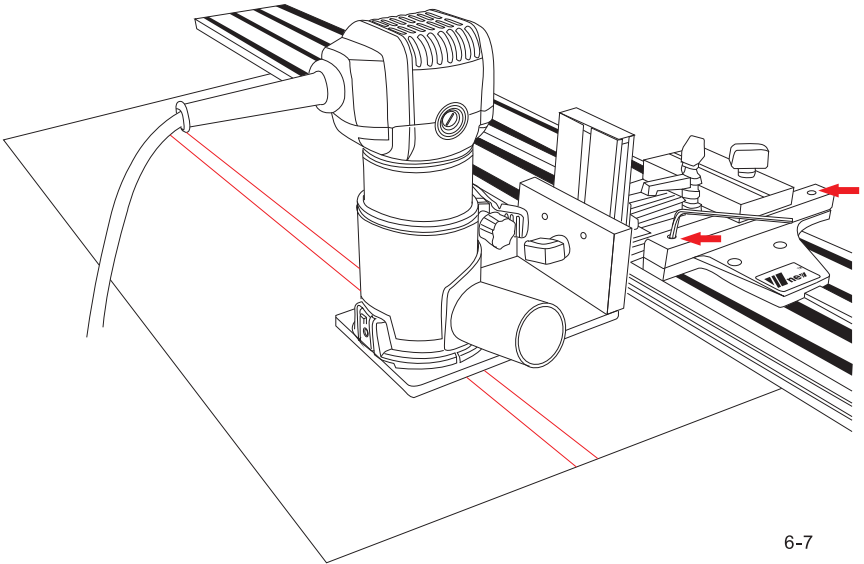


6-5



6-6

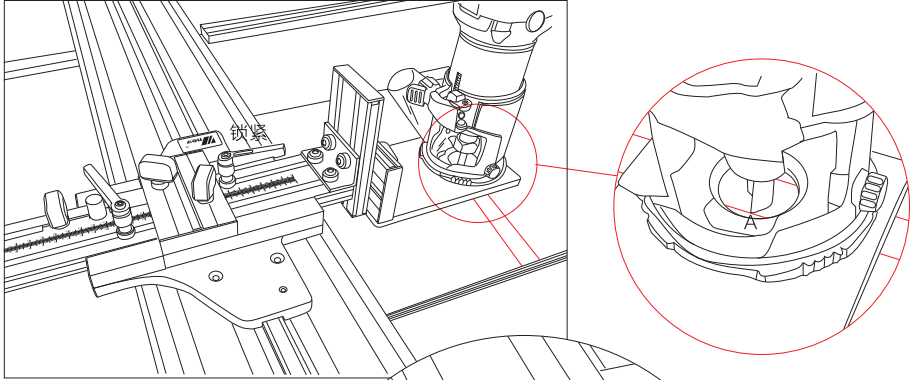
After adjustment, put the main body on the guide rail. Since there is an adjusting hole on one side of the main body. The gap between the main body and 500mm profile can be adjusted with a hexagon socket wrench. Install the trimmer on the base and finish the installation of trimmer accessories, as shown in Figure 6-7.



6-7

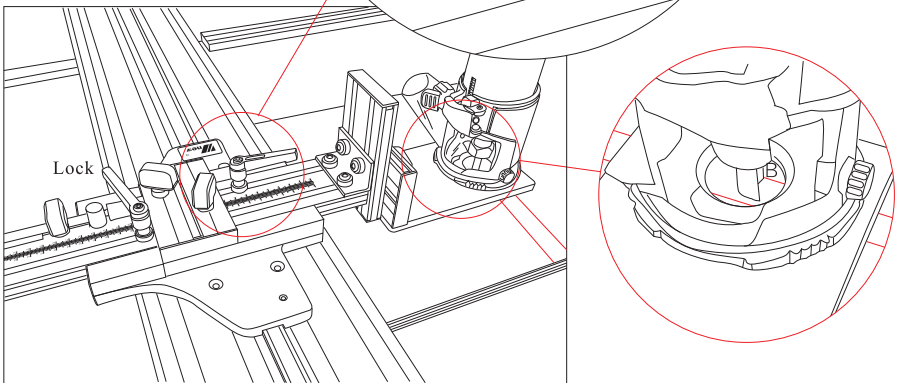
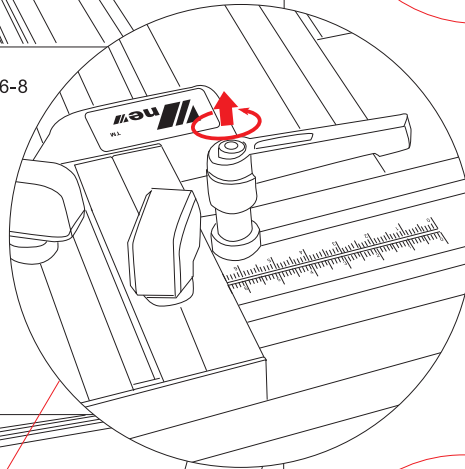
Installation of carving machine and trimmer accessories

Adjust the left and right quick-locking screws on the main body to limit the trimmer, align the tool nose A to the left line, let the right handle be close to the accessories of main body and lock it tightly, as shown in Figure 6-8. Align the tool nose B to the right line, let the left handle be close to the accessories of main body and lock it tightly, as shown in Figure 6-9. Therefore, the left and right limit positions are set, and slots can be formed in the wood board.



6-8

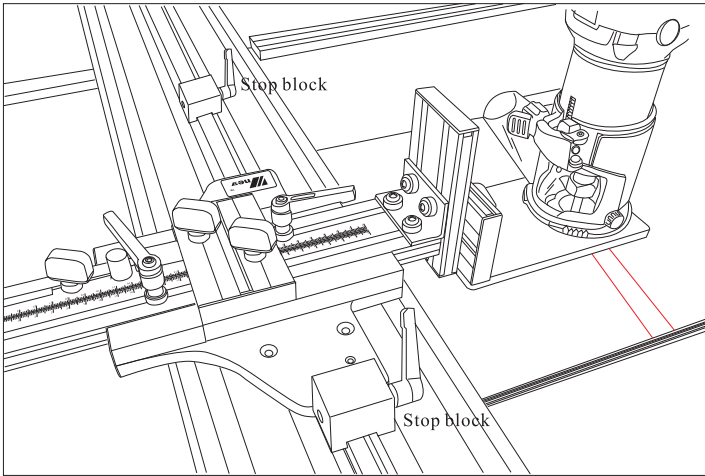
If the quick-locking screw is stopped by the lateral handle, lift the handle of quick-locking screw and rotate it to a suitable place for placement. (As shown in the right figure)



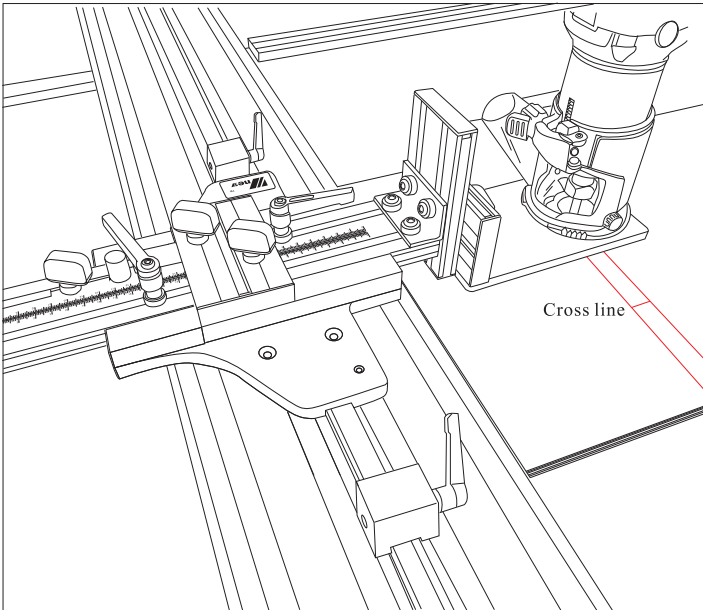
Lock

6-9

Limit the front and back of trimmer with the stop block and guide rail, align the tool nose to the lower cross line, let the lower stop block be close to the main body and lock it tightly, as shown in Figure 6-10. Align the tool nose to the upper cross line, let the upper stop block be close to the main body and lock it tightly (as shown in Figure 6-11). Therefore, the front and rear limit is set and slots (holes) can be formed in the middle of wood board.



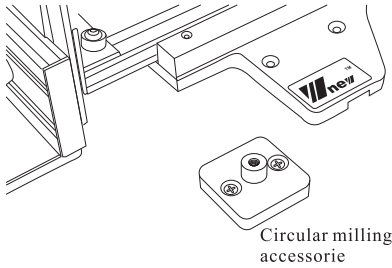
6-10



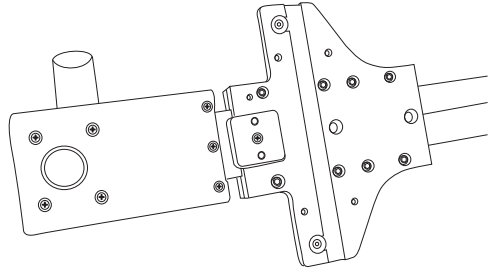
6-11

Circular milling with carving machine/trimmer

Fix the circular milling accessories on the wood board (as shown in Figure 6-12), put the main body on the circular milling accessories (as shown in Figure 6-13), adjust the distance from the trimmer to the circle center, and mill the required circle (as shown in Figure 6-14).

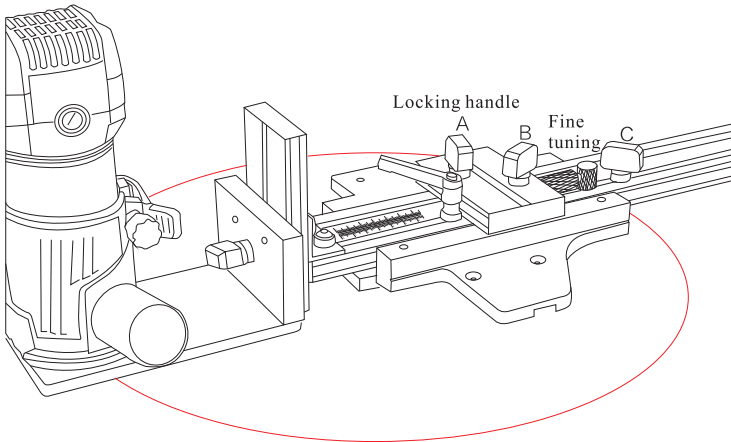


6-12



6-13

After adjusting the radius to the specified size, lock the handle C tightly, adjust it finely with fine tuning device till it is totally correct, lock the handles A and B tightly (as shown in Figure 6-14), and rotate the trimmer for circular milling.



6-14

Maintenance of the tool

Maintenance method: after the work, clean the sawdust on the tool and wipe it with the towel. If it is not used for a long time, a little anti-rust oil can be wiped on the metal components to prevent the tool from rusting. Do not use volatile oil, gasoline, diluent, polishing powder, etc. for cleaning.

