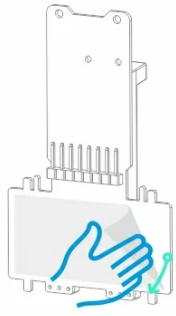
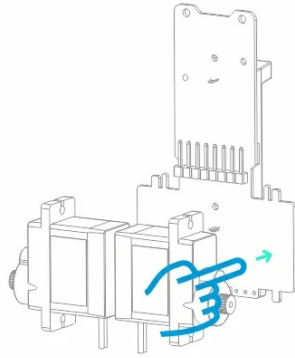


1



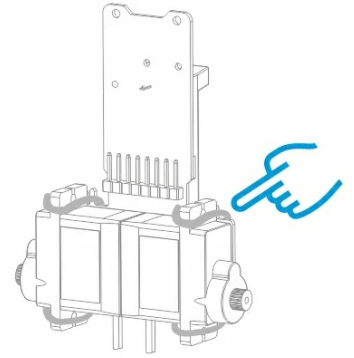
Remove the adhesive tape on the main board.

2



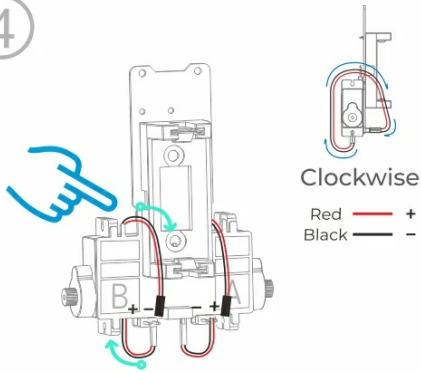
Paste the servo onto the indicated position, the direction of the motor is as shown.

3



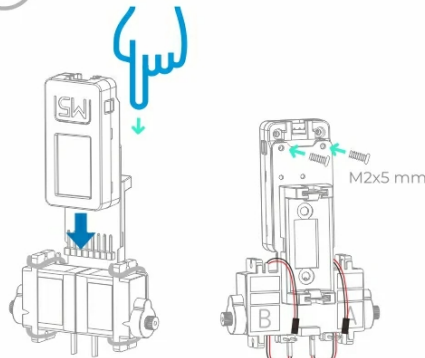
The rubber band is used to fix the main board and the servo.

4



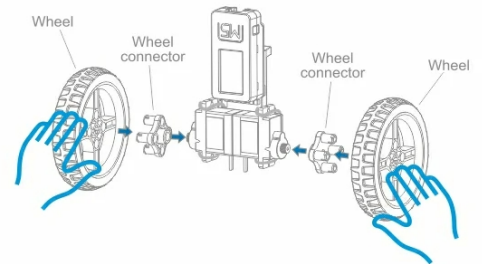
The servo cable is fixed clockwise to the main board, Red represents positive, black represents negative, as shown.

5



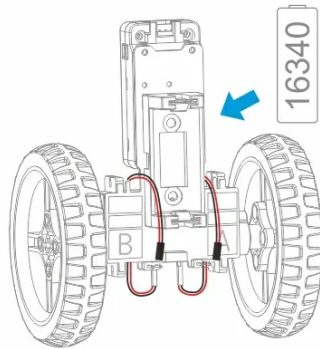
Assemble M5StickC Plus

6



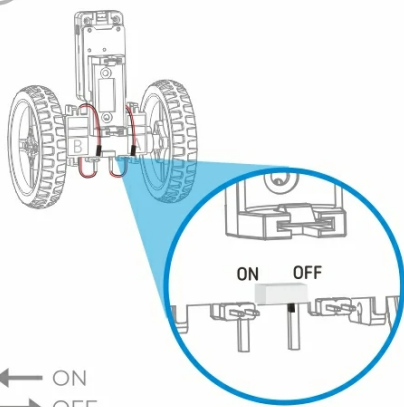
Assemble Wheel

7



Installation Battery

8



← ON  
→ OFF

# ALL Parts



M5STACK

