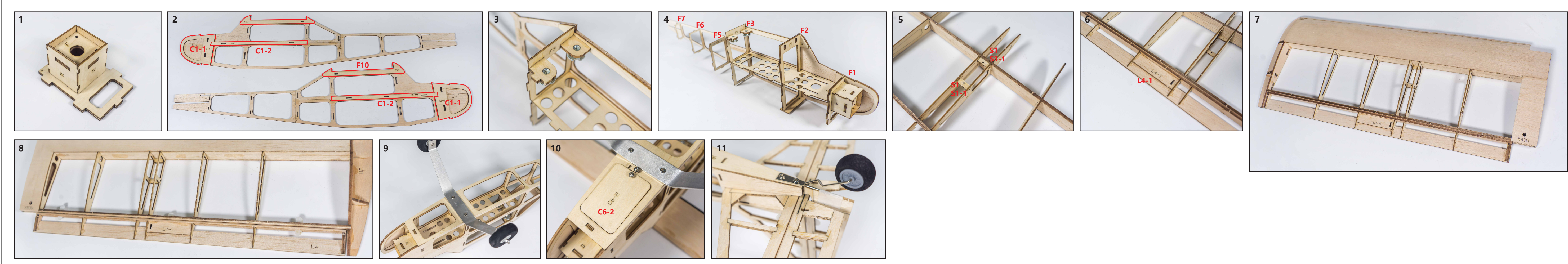


拼装细节展示



Voge-08 KIT (NO.T05)

Wingspan : 820mm
 Length : 630mm
 Flying Weight : ≈450g
 Wing Area: 12.9dm²
 Wing Load: 35g/dm²

Suggest Equipment:
 Motor : M1908-2050KV
 ESC : 20A
 Folding Propeller : 7inch
 Servo : 9g * 4pcs
 RX : ≥4CH

