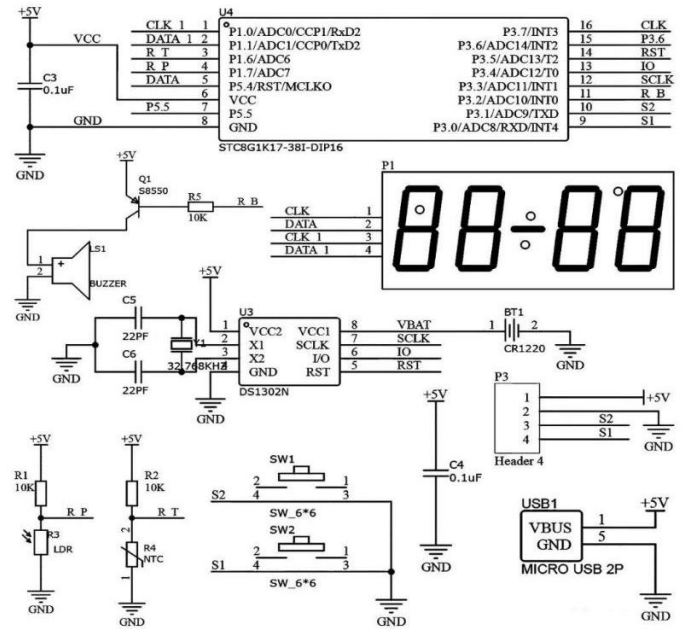


HU-058 RGB Colorful LED Digital Electronic Clock DIY Kit

1、Component Listing:

N0.	Component Name	PCB Marker	Parameter	QTY
1	Metal Film Resistor	R5-R8	330ohm	4
2	Metal Film Resistor	R2-R3	1Kohm	2
3	Metal Film Resistor	R4	10Kohm	1
4	Metal Film Resistor	R1	15Kohm	1
5	Ceramic Capacitor	C1,C2	0.1uF 104	2
6	Electrolytic Capacitor	C3,C4	10uF 25V	2
7	Black Button	S1	6*6*10mm	1
8	Self-locking switch	S2	5.8*5.8mm	1
9	S8550 Transistor	Q1,Q2	T0-92	2
10	78L05 Voltage Regulator	U3	T0-92	1
11	White LED	D1-D18	5mm	18
12	White LED	U2	VS1738	1
13	CD4017	U1	DIP-16	1
14	DC Socket	J1	5.5mm	1
15	9V Battery Socket	DC 9V		1
16	Nylon Column		M3*10mm	4
17	Nylon Column		M3*20mm	4
18	Screw		M3*25mm	4
19	Box		65*65*35mm	1
20	PCB		74*74*1.6mm	1

2、Schematic Diagram



▲ This product comes to you is DIY kits that needs to be installed, read the product instruction carefully before installing.



HU-058炫彩时钟英文说明书

3、Adjustable Buttons:

- 1>.SW1/UP Button: Save parameter and enter into next function at set mode.
- 2>.SW2/Down Button: Increase the parameter value by +1 for each.press at set mode. When SW2 is "+1", press and hold SW1 to change the function to "-1". When SW2 is "-1", press and hold SW1 to change the function to "+1"

4、Set Color Display Mode: Short press SW1/UP button

Set Mode	Display	Setting Steps	Descriptions
Color Display	dC-3	1.Press SW2/Down Button can switch display mode dC-0,dC-1, dC-2, dC-3 . 2.Press SW1/UP button can save and enter into next step.	dC-0: 4 digital tubes randomly displays different colors. dC-1: 4 digital tubes randomly displays the same colors. dC-2: Time/Date/Temperature/Week can each select the a specified display color. dC-3: 4 digital tubes can each choose a specified color.
Time Color	08:00	1.Press SW2/Down Button can change current display color. 2.Press SW1/UP button can save and enter into next step.	It is available just only for dC-2 Color Display Mode. Other modes do not have this option.
Date Color	01-01	1.Press SW2/Down Button can change current display color. 2.Press SW1/UP button can save and enter into next step.	
Temperature Display Color	25°F	1.Press SW2/Down Button can change current display color. 2.Press SW1/UP button can save and enter into next step.	
Week Color	-1-	1.Press SW2/Down Button can change current display color. 2.Press SW1/UP button can save and enter into next step.	
Each Bit Color	1234	1.Press SW2/Down can set #1 digital tube display color. 2.Press SW1/UP button can save and enter into next step.	It is available just only for dC-3 Color Display Mode. Other modes do not have this option.
	2 Flicker	1.Press SW2/Down can set #2 digital tube display color. 2.Press SW1/UP button can save and enter into next step.	
	3 Flicker	1.Press SW2/Down can set #3 digital tube display color. 2.Press SW1/UP button can save and enter into next step.	
	4 Flicker	1.Press SW2/Down can set #4 digital tube display color. 2.Press SW1/UP button can save and exit set mode.	

Scan the above QR code to watch the detailed installation tutorial!

It is strongly recommended to read the installation manual before starting installation!!!

HU-058 RGB Colorful LED Digital Electronic Clock DIY Kit

5、Set Time Mode: Keep press SW1/UP button more than 2second

Set Mode	Display	Setting Steps	Descriptions
Year	2023 23 Flicker	1.Press SW2/Down Button switch Year value. 2.Press SW1/UP button can save and enter into next step.	Set range is 2000~2099.
Date	01-02 01 Flicker	1.Press SW2/Down Button switch Month value. 2.Press SW1/UP button can save and enter into next step.	Week value will be automatically adjusted based on the date.
	02 Flicker	1.Press SW2/Down Button switch Day value. 2.Press SW1/UP button can save and enter into next step.	
Time	07:59 07 Flicker	1.Press SW2/Down Button switch Hour value. 2.Press SW1/UP button can save and enter into next step.	Second is automatically set to 0
	59 Flicker	1.Press SW2/Down Button switch Minute value. 2.Press SW1/UP button can save and enter into next step.	
12H/24H	24H	1.Press SW2/Down Button switch 12H or 24H . 2.Press SW1/UP button can save and enter into next step.	12H : 12 hour display system with AM and PM. 24H : 24 hour display system without AM and PM.
Error Value	H 00 00 Flicker	1.Press SW2/Down Button change error value. 2.Press SW1/UP button can save and exit set mode.	1.Its set range is -58s ~ +58s. 2.This error value is for 24 hours a day. 3.It can be set to -1 ~ -58s if clock's time is faster than the actual time. Automatically reduce by 1~58s per day. 4.It can be set to 1~58s if clock's time is slower than the actual time. Automatically increase by 1~58s per day. 5.There is no error compensation value, if set to 00.

6、Set Alarm Mode: Keep press SW2/Down button more than 2second

Set Mode	Display	Setting Steps	Descriptions
Hourly Report	07+21 07 Flicker	1.Press SW2/Down change starting time of hourly reporting. 2.Press SW1/UP button can save and enter into next step.	1. xx+yy means Hourly Report from xx hour to yy hour. 2. 07+21 means Hourly Report from 7 to 21 o'clock. 3. Turn OFF Hourly Report function if xx is more than yy such as 08+07.
	21 Flicker	1.Press SW2/Down change end time of hourly reporting. 2.Press SW1/UP button can save and enter into next step.	
Alarm 1	A101 01 Flicker	1.Press SW2/Down switch A10F, A101, A102, A103 . 2.Press SW1/UP button can save and enter into next step.	A10F : Turn OFF Alarm 1. A101 : Turn ON Alarm 1 for every day. A102 : Turn ON Alarm 1 from Monday to Friday. A103 : Turn ON Alarm 1 from Monday to Saturday.
Alarm 1 Time	08:00 08 Flicker	1.Press SW2/Down Button switch Hour value for Alarm 1. 2.Press SW1/UP button can save and enter into next step.	It is available for A101, A102, A103 . Not the A10F do not have this option.
	00 Flicker	1.Press SW2/Down Button switch Minute value for Alarm 1. 2.Press SW1/UP button can save and enter into next step.	
Alarm 2	A20F 0F Flicker	1.Press SW2/Down switch A20F, A201, A202, A203 . 2.Press SW1/UP button can save and enter into next step.	A20F : Turn OFF Alarm 1. A201 : Turn ON Alarm 1 for every day. A202 : Turn ON Alarm 1 from Monday to Friday.
Alarm 2 Time	07:00 07 Flicker	1.Press SW2/Down Button switch Hour value for Alarm 2. 2.Press SW1/UP button can save and enter into next step.	It is available for A201, A202, A203 . Not the A20F do not have this option.
	00 Flicker	1.Press SW2/Down Button switch Minute value for Alarm 2. 2.Press SW1/UP button can save and enter into next step.	
Alarm 3	A30F 0F Flicker	1.Press SW2/Down switch A30F, A301, A302, A303 . 2.Press SW1/UP button can save and enter into next step.	A30F : Turn OFF Alarm 1. A301 : Turn ON Alarm 1 for every day. A302 : Turn ON Alarm 1 from Monday to Friday. A303 : Turn ON Alarm 1 from Monday to Saturday.
Alarm 3 Time	13:00 13 Flicker	1.Press SW2/Down Button switch Hour value for Alarm 3. 2.Press SW1/UP button can save and enter into next step.	It is available for A301, A302, A303 . Not the A30F do not have this option.
	00 Flicker	1.Press SW2/Down Button switch Minute value for Alarm 3. 2.Press SW1/UP button can save and enter into next step.	
Alarm Ring	AU 0 0 Flicker	1.Press SW2/Down switch music AU 0, AU 1, AU 2, AU 3 . 2.Press SW1/UP button can save and enter into next step.	AU 0 : Jasmine flower. AU 1 : A Thousand Year Love. AU 2 : Ode to Joy. AU 3 : Happy birthday to you.
Temperature Unit	°C	1.Press SW2/Down Button switch °C or °F. 2.Press SW1/UP button can save and enter into next step.	
Temperature Calibration	Current Value	1.Press SW2/Down Button to modify the displayed value. 2.Press SW1/UP button can save and enter into next step.	1.System will automatically calculate the error value after change display value to the actual temperature value.
Display Mode	dP 0 0 Flicker	1.Press SW2/Down to switch dP 0, dP 1, dP 2, dP 3 . 2.Press SW1/UP button can save and exit set mode.	dP 0 : Only display Time. dP 1 : Display Time/Temperature in turns. dP 2 : Display Time/Date/Week. dP 3 : Display Time/Temperature/Date/Week.

Functional Characteristics:

1 **RGB Adjust Display Color**
27 colors and randomly displayed

2 **12/24H System**
12H means 12 hour system
24H means 24 hour system

4 **Main Display Interface**
Time, Temperature, Date, Week
1. Only display Time
2. Display Time/Temperature
3. Display Time/Date/Week
4. Display Time/Temp.../Date/Week

3 **Automatic Brightness Adjust**
1. Adaptive Brightness Mode
2. Low Brightness Mode
3. Medium Brightness Mode
4. High Brightness Mode

5 **3 Alarm** for every day or Monday to Friday or Monday to Saturday.
4 Alarm Ring Music
AU 0: Jasmine flower
AU 1: A Thousand Year Love.
AU 2: Ode to Joy.
AU 3: Happy Birthday to You.

6 **Time Error Compensation Value** Set range is -58s ~ +58s for each day.

7 **Hourly Report** 07+21 means Hourly Report from 7 to 21 o'clock.
Turn OFF Hourly Report function if **xx** is more than **yy** such as 08+07.

8 **Display Current Temperature** The clock itself will generate heat, which will affect the display value. The higher the brightness, the greater the error.