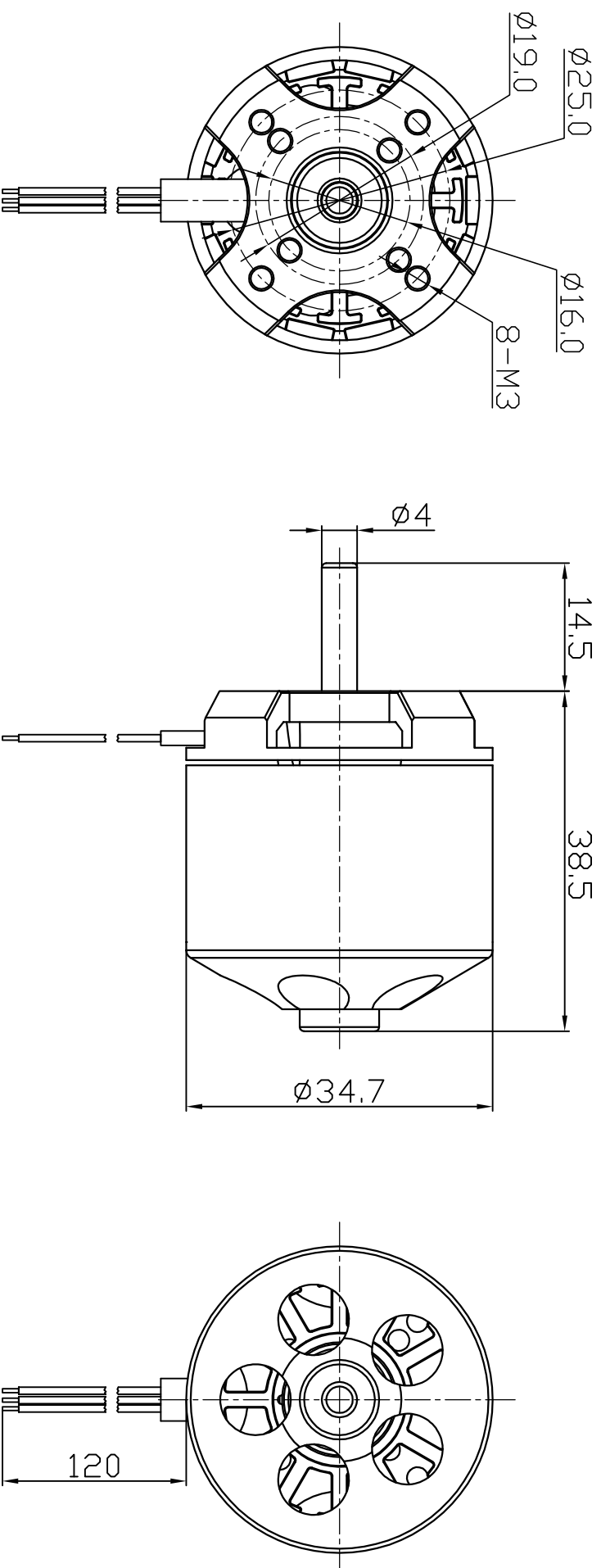


MOTOR OUTLINE DRAWING (外形图) :



MOTOR PERFORMANCE DATA (性能参数) :

MODEL	KV (rpm/V)	Voltage (V)	Prop	Load Current (A)	Pull (g)	Power (W)	Efficiency (g/W)	Lipo Cell	Weight (g) Approx
C3536	1200	11.1	10x6	35	1580	388	4.1	2-4S	110